



## USED EQUIPMENT

JD 6600 Hydro Diesel Combine  
 Farmall 966 Tractor w/cab  
 Farmall 1066 Hydro Tractor with cab  
 AC D17 Series 4 Tractor w/snap coupler  
 Case 2290 Tractor, cab and air w/150 hours  
 JD 1530 Diesel Tractor w/48 loader  
 Farmall 460 Gas Tractor  
 JD 7000 4R Maxi-Merge Planter, used 2 seasons  
 JD TWA Plowing Disk  
 IHC 2350 Mount-O-Matic Loader w/8' bucket, excellent  
 JD 20x7 Grain Drill, no fertilizer  
 IH 1466 tractor w/red cab, air, dual hydraulics, dual PTO, 1000 hrs., super sharp!  
 IHC 1066 w/fresh motor c (SOLD)  
 JD 4010 Diesel (SOLD)  
 Farmall 1456 Tractor  
 Farmall 1086 w/ cab and air  
 MM 602 Diesel Tractor  
 NH 718 Chopper 1980 (SOLD)th Grain pickup and corn head.  
 Lilliston Rolling Tomato Cultivator, set for 3-5' rows  
 NI 325 30" 12 Roll Picker, clean  
 18.4x34 Duals, Axle Mtd. or Bolt on, for JD or IHC. \$500 and under.

### RAYMOND B. LEAMAN

Willow Street RD 1, Ph: Lancaster 464-2778  
 Midway between Lancaster & Quarryville  
 off Rt. 222 take Brenneman Road  
 at Graybill Bros. Garage, Refton

### FARM EQUIPMENT

#### USED FARM EQUIPMENT

NH 479 Haybine . . . . . \$2775  
 Hesston 310 SP Mower Cond . . . \$1350  
 NH 273 Baler w/or w/o thrower. . \$1890  
 IHC 37 Baler & thrower . . . . . \$950  
 Lely PTO Rake-Tedder. . . . . \$695  
 IHC Tedder . . . . . \$150  
 Cunningham Crimper . . . . . \$175  
 JD "60" PTO Blower . . . . . \$475  
 NH 27 PTO Blower  
 NH 1880 210 h.p. 3R Fg. Harv . \$13,850  
 IHC 550 Fg. Harvester w/pickup & 2R Adj. Heads. . . . . \$995  
 Fox 2300 Fg. Harv. w/2R Head, like new . . . . . \$4750  
 NH 800W Pickup Head . . . . . \$985  
 NH 518 Spreader w/hyd. endgate. \$1950  
 IHC 155 Spreader . . . . . \$875  
 AC B Tractor Plow & Cultivator. . \$985  
 2R Planter w/fertilizer  
 Call for prices on other equipment

#### SPECIAL PRICES ON NEW

NH L35, L325 Skid Loaders  
 NH 315 Baler, 846 Baler, Mowers  
 NH 488, 489 Haybines  
 NH 14, 230, 235 Wagons  
 NH #8 Forage Box w/roof  
 NH 513, 519, 679 Flat Bed Spreaders  
 NH 782, 892 Harvesters and Heads  
 Tedders, PTO and Traction Driven  
 3200 gal Spreader with ejector  
 Garden Tiller, Ariens, 4 H.P.  
 Killbros Gravity Boxes



Phone: 717-626-7766 or 626-1859  
 700 Woodcrest Avenue, RD3, Lititz, PA

### FARM EQUIPMENT



#### NEW TRACTORS

D6807A Deutz Tractor, FWD, 68 h p w/loader  
 D6807 Deutz Tractor, 68 h p  
 D6206 Deutz Tractor, 61 h p  
 D5207 Deutz Tractor, 52 h p  
 D4506 Deutz Tractor, 45 h p  
 DX 120 Deutz Tractor, 110 h p  
 DX 120A Deutz Tractor, FWD, 110 h p

Used D10006 Deutz (105 h p) w/cab, air cond & duals  
 Used Farmall H Ford 850  
 Ford 6000 diesel  
 Great Bend 1010 Loader w/96" bucket, 4000 lb cap, like new \$2500  
 Custom-built diesel Gen Sets made to order  
 New & Used Deutz diesel engines at special prices Call for details  
 New Deutz F2L-912 diesel engines 20-32 H P electric start



312 West Main Street  
 New Holland, PA  
 PHONE 717-354-4181

#### USED TRACTORS

Ferguson 20 w/ Blade  
 Oliver 1750 diesel  
 JD 620 Gas  
 JD 730 Diesel  
 JD 2020 w/loader  
 JD 1520  
 JD 2030 diesel

#### USED EQUIPMENT

1250 6-Row JD Cornplanter  
 JD 7000 4-Row Planter  
 White 4-Row No Till Planter



### SHOTZBERGER'S EQUIPMENT

Elm, Pa.  
 Phone: 717-665-2141

#### ROUND STEEL HAY RACKS For 18 Head



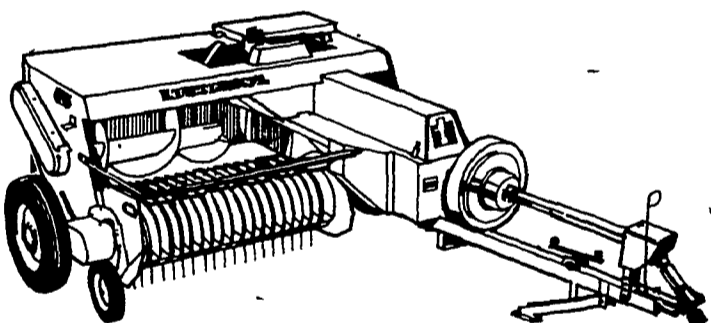
IN STOCK - ROUND OR SQUARE BALES  
 These hayracks are suitable for hay, grain & silage. Exterior plywood flooring  
 Price \$200

#### BELL ROAD WAGON SHOP

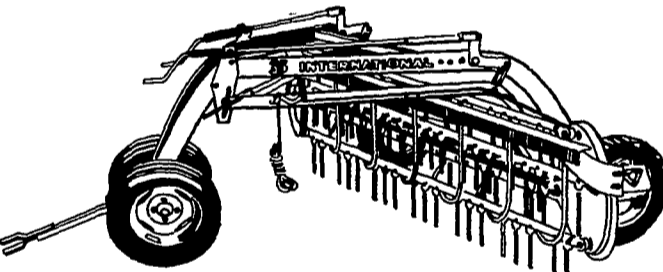
RD 1 Box 280, Bell Rd.  
 Christiana, PA 17509  
 For delivery service call 717-529-2717  
 or Strasburg area - Lancaster 717-687-8217  
 Directions - 1 mile south of Nine Points off 896 on Bell Rd.

# INTERNATIONAL HARVESTER HAY AND FORAGE TOOL REBATE

Now get cash back when you buy any of this fine International® equipment.



International® 425 Baler

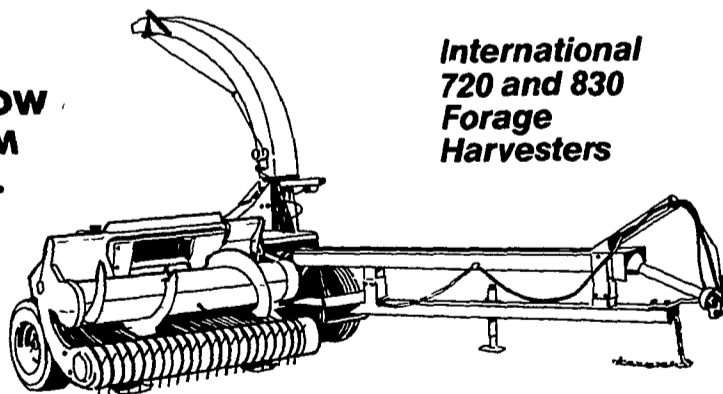


International® 35 Parallel Bar Rake

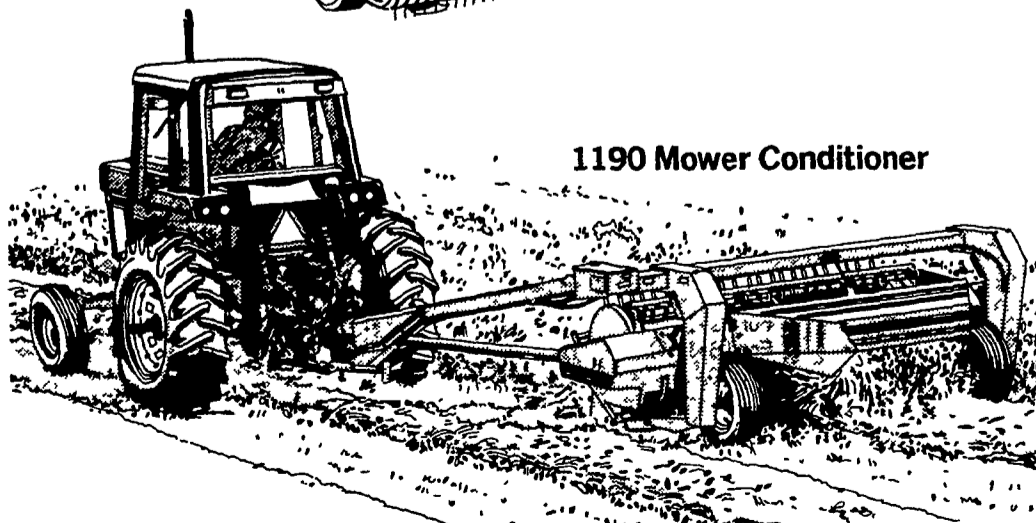
COME ON IN AND MAKE A DEAL NOW THEN GET YOUR CASH BACK FROM INTERNATIONAL HARVESTER CO.

#### CASH REBATES

Balers . . . . . \$500.00  
 Rakes . . . . . \$140.00  
 Forage Harvesters . . . . . \$925.00  
 Mower Conditioners . . . . . \$500.00



International 720 and 830 Forage Harvesters



1190 Mower Conditioner

**R.S. HOLLINGER & SON, INC.**  
 Parts & Service  
 113 W. Main St., Mountville, PA  
 PH: 717-285-4538

Store Hours:  
 Mon. thru Thurs. - 7 to 8,  
 Fri. 7-5:30; Sat. 7 to 3

#### TRACTORS

2 Farmall H, good shape  
 IH 504 fully equipped loader w/WF  
 Ford 8N w/plow & loader & disc \$1750  
 Farmall M  
 AC WD 45 w/live PTO  
 AC D15  
 VAC Case w/wide front  
 Farmall H, sharp, A1  
 Oliver 77 diesel

#### MISCELLANEOUS

NH 479 & 460 haybine  
 AC 903 haybine  
 NH 1469 SP w/cab  
 NH whirl-a-feed blower  
 JD 46 loader fits 10 & 20 series  
 Oliver rotobar rake  
 NH 461 haybine  
 JD 30' elevator  
 NH 24' elevator  
 (2) McCurdy gravity boxes 225 bu. & 275 bu.  
 Disc, plows, mowers, balers, wagons, rakes, harvester grain bins, harrows, pickers, & loaders.  
 PLANTERS  
 IH 400 air, 4-row  
 JD 494A, 4 row

#### COMBINES

IH 91 10' grain  
 IH 203 10' Gleaner CII w/13' grain, cab w/hillside rattle chain, late model \$600  
 Gleaner CII cab & grain & 4 row wide \$5000  
 JD 25, 7' cut  
 IH 76 7'  
 MF 410 grain head  
 MF 510 quick attach through

#### HARVESTERS

IH pickup head - fits 50, 55, 550, 555 & 650  
 JD 38 2 or 1 row  
 IH 550 2 row w/pickup  
 IH 55, 2 Row  
 AC 780 2 row

#### WHEEL DISCS

2 IH 10'  
 JD 14'  
 2 JD 12'  
 Oliver 12'  
 JD 110 14'

#### PLOWS

IH 5-16" steerable  
 IH 4 btm. 14" fast hitch plow  
 Oliver 4-14" or 4-16" drag

#### DISMANTLING TRACTORS FOR PARTS

JD 2010, 70D, 4010, IH F 14, A, B, C, H, M, 300, 350, 460, 460 Ut., Supers C, H, & M. JD A, B, 50 & 60. AC WD & D17 Oliver 70 & 77. Ford 8N & 860. Case SC & V.A.C. Massey 44D, IH 400, MTA, 240, F20, WD D2 Cat crawler.

Dismantling 75 combines for parts

#### KEITER'S FARM MACHINERY

R.D. #1 Halifax, PA 17032 Rt. 225 20 mi. from Hbg.  
 Phone: 717-362-9574 or 362-9096