

Fulton Grange meets

OAKRYN — Thomas C. Galbreath, master, presided at the regular meeting of Fulton Grange 66, recently at the Grange Hall in Oakryn when the Charter was draped in memory of Gyles H. Brown.

The Grange decided to have a booth in the commercial tent at the Southern Lancaster Co. Community Fair in September. They also decided to have their property boundaries surveyed.

The speaker, Mrs. Jesse Wood, presented a ritualism program which opened with a roll call "Something that impresses you about the first four degrees or Grange ritual." She then conducted a ritualistic quiz between teams of men vs. women.

Charles McSparran conducted a Grange code reading class for everyone. The speaker awarded prizes to some who volunteered to participate in reading the code. McSparran also offered some helpful criticism for Grange ritualistic procedures.

Mrs. Clifford Holloway Jr. entertained with jokes and Mrs. John Wise concluded the program with a reading "Definition of a Cow."

The annual memorial service will be held at the next meeting, May 25. On June 8 the Grange will observe June Dairy Month by having their annual home-made ice cream night.



SPRING HOUSECLEANING SALE



40 KW Kohler
L.P. Gas



15 KW Winco
Trailer & Shaft



150 KW Kato
Diesel



15 KW Onan
with Shaft

USED ENGINE DRIVE GENERATORS

2.5 KW Yanmar Diesel
3.5 KW Onan Gasoline
3.5 KW Petter Diesel
7.5 KW Yanmar Diesel On Trailer
10 KW Red Seal L.P. Gas with 100 Amp
ATS
10 KW Winpower L.P. Gas
12.5 KW Onan Gasoline
25 KW Continental L.P. Gas
25 KW Katolite Diesel
30 KW I.D.E. L.P. Gas
30 KW Maxi-Power Diesel
70 KW Cummins Diesel
140 KW Detroit Diesel



USED P.T.O. GENERATORS

5.3 KW Winco with Trailer & Shaft
12.5 KW Dayton with Trailer & Shaft
12.5 KW Westinghouse with Trailer & Shaft
15 KW Winco with Shaft
25 KW Winco with Trailer & Shaft

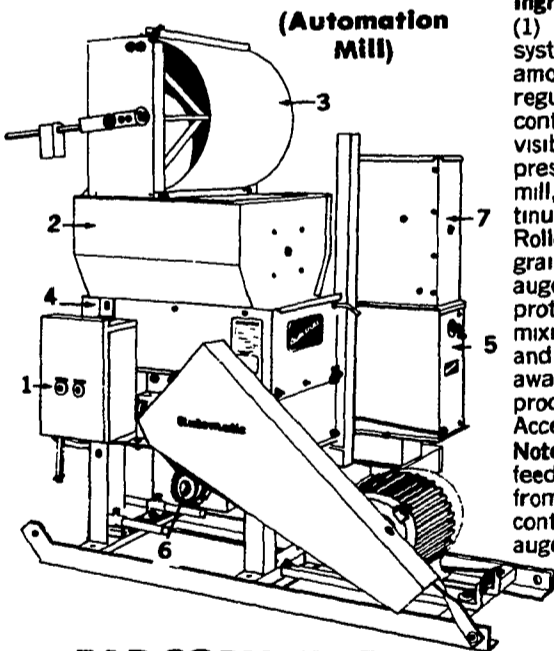
USED TWO-BEARING GENERATORS

2 KW Winco 1800 RPM
3.5 KW Winco
5 KW Dayton
10 KW Winco
60 KW 3 Phase 1800

LEONARD MARTIN CO.

330 Fonderwhite Road
Lebanon, PA 17042 717-274-1483

Automatic ELECTRIC FEED PROCESSOR



Process and blend 3 or more
Ingredients at one time!

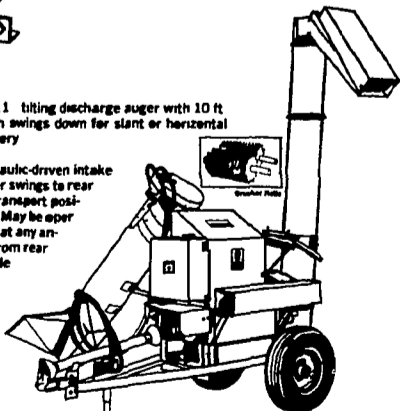
(1) Control center (Type III timer system) predetermines and records amount of feed grain (2) Bin Switch regulates input auger, automatically controls grain level in hopper, (not visible); (3) Automatic scale meters preset amount of grain through roller mill, operates automatically and continuously without power, (4) Automatic Roller mill with fast-roll attachment rolls grain; (5) Dial-controlled variable speed augers in electronic meter let you add protein, mineral or medication into mixing auger; (6) Mixing auger mixes and delivers processed feed to take-away auger Supply auger and mill processed preset amount of grain, (7) Accessory hopper with flow switch
Note: The Automatic Dump Scale and feed metering units may be gravity fed from overhead bins or hoppers Flow-control switches are required if input augers are used in place of gravity flow

EAR CORN UNIT

Automatic's ear corn unit handles wet, shucky and even frozen ear corn. The crusher unit shreds the cob followed by rollers that crack the corn, producing a flaky, dust-free feed for greater digestibility. The hydraulically driven intake auger swings to the rear for transport and may be operated at any angle from rear to side. Dust-free rolled grain is more palatable, easier to digest, eliminates wheezing and many digestive disorders.

Fig. 11 tilting discharge auger with 10 ft reach swings down for slant or horizontal delivery

Hydraulic-driven intake auger swings to rear for transport position. May be operated at any angle from rear to side.

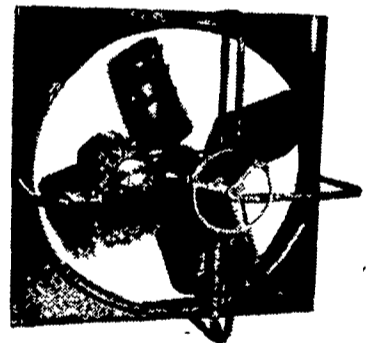


LEISS VENTILATION EQUIPMENT MANUFACTURING For The Farm

Wall and Ceiling Mount



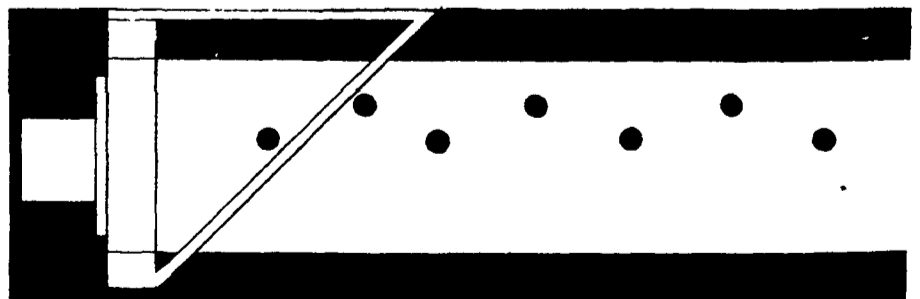
12 to 24 inch
Direct Drive



24 to 36 inches
Belt Drive Fans

- Completely automatic, fully assembled ready to operate.
- Heavy gauge corrosion resistant aluminum fan blade.
- Extra sturdy, corrosion resistant pointed steel frame.

Poly Tube Ventilation



Ventilation For Dairy - Hogs & Chickens

RYDER SUPPLY CO.

P.O. Box 219,
539 Falling Springs Rd.
Chambersburg, PA 17201
Phone: 717-263-9111

NAME _____
ADDRESS _____
PHONE _____
SEND INFO. ON _____

For additional info.
Clip & Mail To:

RYDER SUPPLY CO.
P.O. Box 219, 539 Falling Springs Rd
Chambersburg, Pa. 17201

LF 5/16