

# Horticulturalists receive Longwood fellowships

NEWARK, Dela. — Five people have received fellowships for study in the Longwood Program in Ornamental Horticulture at the University of Delaware.

In cooperation with Longwood Gardens in Kennett Square, this

program trains managers for botanic gardens, display gardens, arboreta, and other public horticultural institutions throughout the country.

Fellows come from different backgrounds, but all are required

to have a degree in horticulture or a closely related discipline, or to have considerable work experience with plants and the public.

Fellowships went to the following individuals:

—Mark Zelonis, currently director of Fuller Gardens in New Hampshire, graduated magna cum laude from the University of New Hampshire, where he was a member of the honor society of Phi Kappa Phi. His experience includes work as a tree crops technician in the Peace Corps.

—Gregory Alan Nace, graduated on the dean's list from the University of Illinois with a B.S. in botany and math. He is director of Olu Pua Gardens in Hawaii. He has worked as head nurseryman at a zoological society, entomologist's aide, and as estimator, gardener, and crew chief for a landscape contractor.

—Valencia Libby, attended Cornell University where she graduated on the dean's list with a degree in landscape design. She has attended the Royal Botanical Garden in Edinburgh, Scotland, where she received a R.B.G. certificate as a horticultural trainee. She is also a member of

the National Honor Society of Horticulturalists. She is presently owner/manager of a garden design business.

—Karen Alicia Driscoll, received a degree in ornamental horticulture from the University of Florida. At present, she is assistant historian at Dawes Arboretum in Newark, Ohio. She has worked as a lab technician, and as an assistant to a professor at the University of Florida.

—Claire Elyce Sawyers, received Bachelor's and Master's degrees in horticulture from Purdue University where she graduated with distinction. While at Purdue, Clair was one of the top 500 undergraduates for six semesters. Her experience includes two semesters of teaching assistantships at Purdue University, and editorial intern assistantship at Purdue, as well as work as a gardener in private gardens in France and an arboretum in Belgium. She also was a summer intern at Longwood Gardens.



## DARI-KOOL...THE #1 TANK ON THE MARKET

IN ADDITION TO OUR REGULAR DISCOUNT ON THE PURCHASE OF A NEW DARI-KOOL BULK MILK TANK.

WE NEED YOUR USED BULK MILK TANK

\$300 to \$800\* OFF

WE ARE OFFERING AN

**EXTRA**

Offer Good For Next Few Weeks

\* Discount depends on size of tank

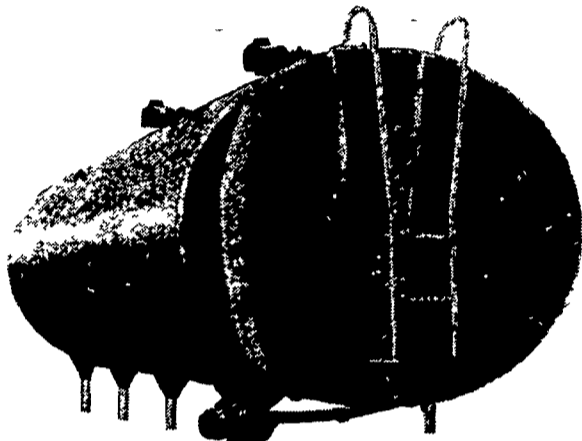
### DARI-KOOL SYSTEMS -

A new, more efficient FULL-FLOW Refrigeration System

#### DARI-KOOL Coolers

- Heavy Duty Agitators
- Efficient Polyurethane Insulation
- Internal Structural Steel Support Frames
- Completely Stainless Steel Exterior
- Sizes from 450 to 6000 Gallons
- Ladder Equipped On 1250 Sizes And Larger
- High Efficiency Twin-Evaporator Plate Design
- All New FULL-FLOW Refrigeration System — Reduces head pressure and allows cooler, more efficient compressor operation

Tanks can be Bulkheaded.



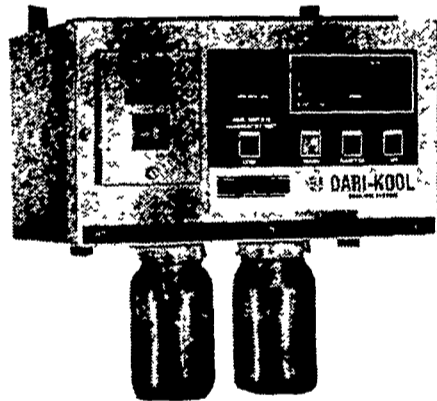
The Only Tank that has a built-in washer system. No cord or hoses laying on the floor

### Choose From 2 control Units... With Tomorrow's Features Today.

The first cooler control system to use computer technology to monitor, record, display, and control cooler functions.

#### TEMP-MATIC Solid-State Recorder/Controller

- Built-in Temperature Recorder
- Digital Temperature Display
- Built in Washing System Components
- Dependable Solid-State Six Cycle Washing With Digital Mode Display
- Touch Button Cooler/Washer Control With Manual Override Feature
- Remote Alert For Temperature And Power Loss Warning
- Accurate Solid State Temperature And Agitator Control



#### NEW DECO-MATIC III Electro Mechanical washer/controller for economy and simplicity

##### FEATURES

- Stainless steel shield covering on manifold assembly
- Large roomy cabinet allows plenty of room for connectors and wires
- Color coded wire harness for easy circuit tracing
- One time and one motor to control all wash cycles and timer motor and individual cam switches are replaceable without removing timer from control
- Thermostat by pass switch for preliminary checkouts (without using thermostat) and for backup switch
- POWER SUPPLY — 230 VAC input with all internal coils, contactors, lamp and timer motor rated at 230 V



#### WE HAVE GOOD USED TANKS

- 500 Gal. Girtons
- 625 Gal. Milkeeper
- 500 Gal. Mojonnier
- 800 Gal. Dari-Kool late model
- 600 Gal. Mojonnier

- PLANNING LAYOUTS • SALES
- INSTALLATION • SERVICE

## SHENK'S FARM SERVICE

501 E. Woods Drive Lititz, Pa. 17543 Phone 717-626-1151  
Our Service Trucks Are Radio Dispatched 24 HR. SERVICE OFFERED

After 6 P.M. - Call:

Ray Shenk - 717-626-1152 Vic Leninger - 717-653-1378  
Mervin Nissley - 717-872-4565 Gary Walton - 215-593-6966  
Rick Thompson - 717-627-1530

### PENNSYLVANIA AGRICULTURE



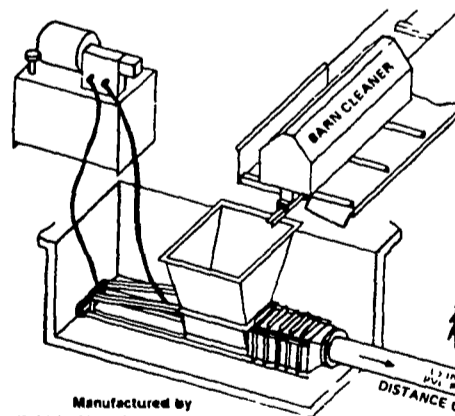
WE'RE GROWING BETTER



Introduces The Modern

## Hydraulic Manure Pump

For Stanchion Barn or Free Stalls



#### "BIG CAPACITY"

Easily handles the output of your barn cleaner WITHOUT STOPPING

#### "VERSATILITY"

Handles long, short or no straw

Manufactured by Kobiske Metal & Hydraulics Inc. Loyal Wisconsin

#### 12' SQUARE CHAMBER

- A square chamber allows for best gate design. To open completely, with minimum resistance, a round chamber doesn't allow the gate to open completely.

#### HEAD SHAPE

- The head shears long straw or hay-filled manure with no need to chop or eliminate bedding
- Slope-back head creates agitation with each stroke, preventing bridging.
- All parts easily inspected

RYDER SUPPLY CO.

P. O. BOX 219  
539 FALLING SPRING ROAD  
CHAMBERSBURG,  
PENNSYLVANIA 17201  
PHONE 717-263-9111