

## Queen Becky loves honey



Rebecca S. Fisher  
Honey Queen

LITITZ — Pennsylvania's Honey Queen is Rebecca S. Fisher, daughter of Mr. and Mrs. Merle P. Fisher of Granville.

Becky's favorite honey recipe is Oatmeal Buttermilk Pancake, included here.

Becky is a graduate of Lewistown Area High School and has been involved in both 4-H and the Granville United Methodist Church for some time.

This honey queen has helped her father and brothers in beekeeping operations and continues to do so whenever she isn't busy promoting bees, beekeeping, and honey as Honey Queen throughout the state.

Becky, who now attends Millersville State College, appears throughout the state at fairs, parades and festivals, speaks at dinners and civic groups and has appeared on radio and television

programs.

As state queen, Becky had the opportunity to represent Pennsylvania and the Pennsylvania Beekeeper's Association at the American Beekeeping Federation Convention in Seattle, Washington in January.

She competed with 12 other queens from around the country, and was chosen second runner-up. Becky was chosen for her knowledge of bees and honey as well as her appearance, personality and participation.

Becky relates one unique experience which happened during the trip in Seattle. On Wednesday of that week the queens took a boat ride to Tillicum Island where they viewed traditional Indian dances and ate baked salmon. The boat ride was an hour each way, so a Dixie-land band provided en-

tertainment on the boat. On the return trip the band played requests at which time Becky asked if they knew a song from Pennsylvania. They played "The Pennsylvania Polka."

### OATMEAL BUTTERMILK PANCAKES

2 c. quick oats, uncooked  
1/2 t. soda  
2 1/2 c. buttermilk  
1 c. whole wheat flour  
2 t. baking powder  
1 t. salt  
2 T. honey  
1/3 c. salad oil  
2 eggs, beaten

Combine oats, soda and buttermilk. Let stand for 5 minutes. Combine flour, baking powder, salt and honey. Add to oat mixture along with oil and eggs. Stir until blended.

For each pancake, pour about 1/4 cup batter onto hot, lightly greased griddle. Bake to a golden brown, turning only once.

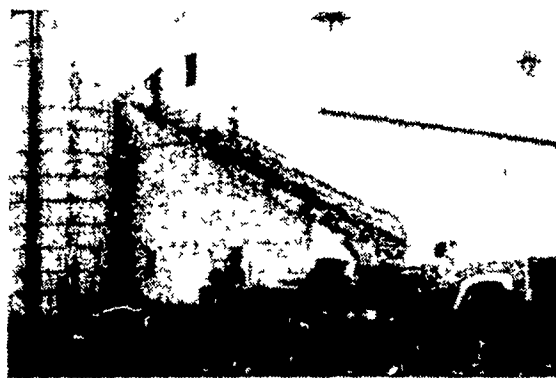
Serve hot with butter and honey. Makes 14 to 16 pancakes.

Sealcrete can paint your farm buildings quickly and inexpensively...

Call for Free estimate



Contact  
Amos Gehman, Salesman

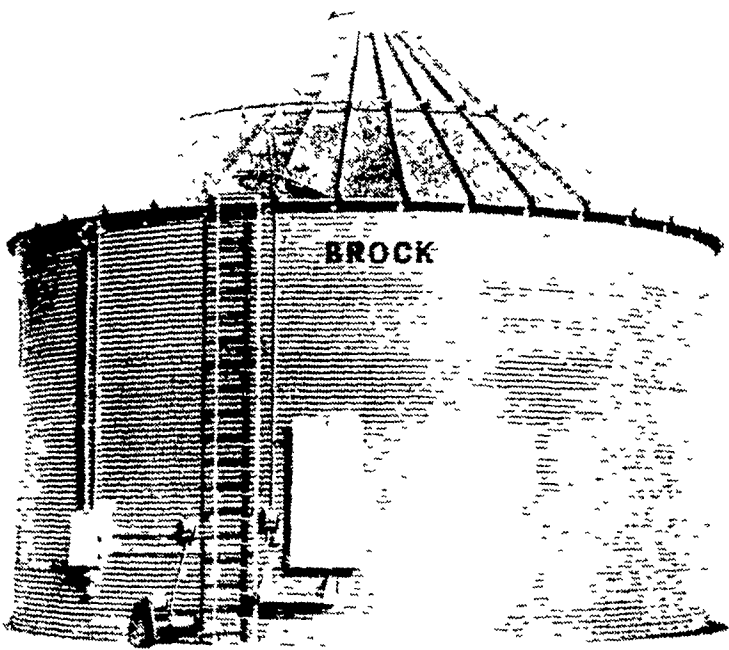


HYDRAULIC AERIAL EQUIPMENT

Seal Crete, Inc.  
RD2, Ephrata, PA  
717-859-1127

## Why Store Your Grain in a BROCK?

REPUTABLE! DEPENDABLE!  
SAFE!



Brock bins have served well on many farms throughout the midwest. Year after year they have earned their reputation for being dependable, safe storage. These are the best reasons for storing your grain in a Brock.

# BROCK®

DISTRIBUTORS FOR: MC DRYERS, BROCK BINS, BAZOOKA AUGERS and BUCKET ELEVATORS



HERSHEY EQUIPMENT COMPANY, INC.

SYCAMORE IND. PARK  
255 PLANE TREE DRIVE  
LANCASTER, PA. 17603  
(717) 393-5807  
Route 30 West At  
The Centerville Exit

Designers of Quality Systems for Poultry, Swine and Grain Handling.

## Badger

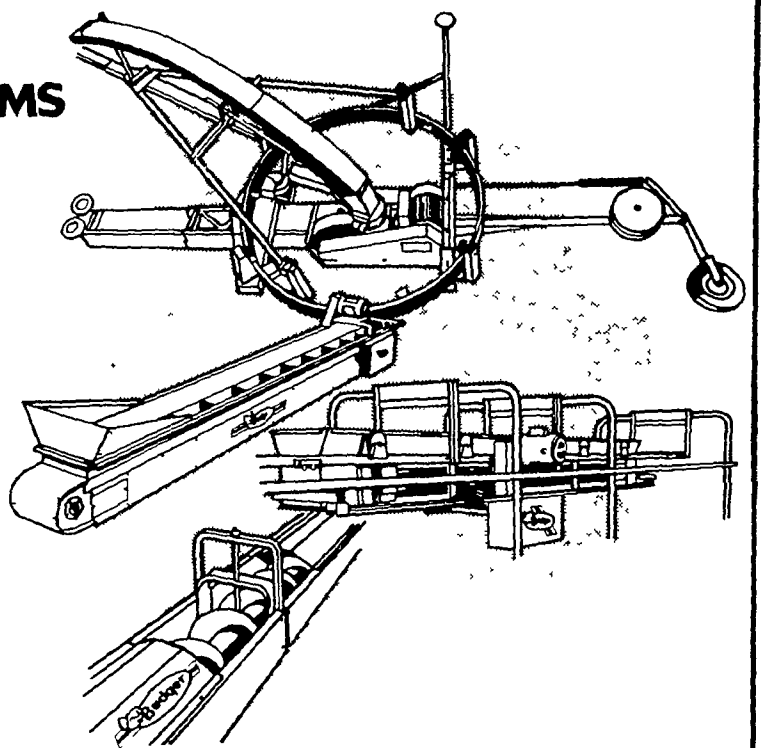
from field to silo...  
Badger has the system

### FEEDING SYSTEMS

Here's the top of the line designed to be ahead of its time...and to keep your workday ahead of schedule. Badger systems are built better to do the job better. Look at any part of the Badger system and you're looking at a better way, at less cost per ton.



THE PEOPLE THAT CARE ABOUT YOUR FARM YOUR BUSINESS AND YOU!



#### PIKEVILLE EQUIPMENT INC.

RD 2  
Oley, PA 19547  
Ph (215) 987-6277

#### CECIL DAIRY SERVICE

RD 1 Rt 274  
1/2 Mi South Rising  
Sun, MD 21911  
Ph (301) 658-6923

#### GRUMELLI'S FARM SERVICE

Mechanics Grove  
Quarryville, PA 17566  
Ph (717) 786 7318

#### LLOYD E. KREIDER

RD 1  
Cochranville, PA  
19330  
Ph (215) 932 4700

#### ROY O. CHRISTMAN

RD 1  
Hamburg, PA 19526  
Ph (215) 562-7218

#### SHOW-EASE STALL CO.

523 Willow Rd  
Lancaster, PA 17601  
Ph (717) 299-2536