

Livestock market and auction news

Leesport Livestock

Wednesday, April 22

Report supplied by PDA

CATTLE 348. Supply including 70 head feeder cattle. Compared with last Wednesday's market, slaughter steers 150-3.00 higher. Choice No. 2-4 1000-1150 lbs slaughter steers 64 00-66.25, one at 66 85, few No. 4-5 1225-1420 lbs 58 10-63.85, Good & Choice holsteins 1200-1600 lbs 54 75-60 00, Good 60.00-63 85, few to 65 25, Standard 54 00-38.75, few Utility & Low Standard 52 00-54 00 Few Choice 930-1050 lbs slaughter heifers 58 25-65 00, few Good 55.25-57 50, few Standard 47 25-52 00 utility & Commercial slaughter cows 45 50-48 25, Cutters 43 85-46 75, few to 49 50, Canner & Low Cutter 39 50-44 50 Few Good slaughter bullocks 57.00-67 35, few Standard 55 50-57 50 Yield Grade #1 1200-2160 lbs slaughter bulls 55 10-60 25, few to 63 75; few yield grade #2 900-1200 lbs 49 25-54 00 Few Medium Frame #1 340-550 lbs feeder steers 60 00-66 00, few Medium Frame #2 335-400 lbs 69 00-69.50, few Large Frame #1 400-500 lbs 65 00-74 00, few 650-825 lbs 57 50-64 50, Large Frame #2 400-950 lbs 51 00-54 00, few 600-700 lbs thin 47 00-49 00, Large Frame #1 360-650 lbs feeder heifers 59 00-69 75, few Medium Frame #1 470-630 lbs feeder bulls 59.75-61 50, few Large Frame #1 500-800 lbs 54.50-

59 50, few Utility & Low Standard 52.50-56.50.

CALVES 128 Vealers grading Standard and Low Good 1.00-3.00 higher Few Choice vealers 93.00-105.00, Good 80.00-91.00, Standard and Good 110-130 lbs 70 00-79.00, 90-110 lbs. 65.00-70.00, 70-95 lbs. 62 00-66.00, few Utility 40-100 lbs. 58 50-65 00. Farm Calves Hol. Bulls 90-135 lbs 80.00-101.00, few down to 65.00; few Hol. Heifers 90-140 lbs 125 00-172 50, few Beef cross bulls and heifers 90-135 lbs 76 00-100.00.

HOGS 319 Barrows and gilts 1 75-2.00 higher US No 1-2 200-240 lbs. barrows and gilts 42.00-42 75, few 43 35, No 1-3 190-260 lbs 41.50-42 25, few down to 40 00, few No 2-3 255-280 lbs 40.00-41 50, few No 1-3 140-180 lbs 38 50-39 00 Sows 2 00-3 00 higher US No. 1-3 300-650 lbs sows 36 00-39 50, one at 40 00 Boars 31 00-32 50

FEEDER PIGS 147 One Lot US No 1-3 30 lbs feeder pigs 72 per hundredweight, No 1-3 40-75 lbs. 51 00-63 00 per hundredweight

SHEEP 93. Few Choice 80 lbs spring slaughter lambs 67 00-85 00, 45-70 lbs 85 00-102 50, Good & Choice 25-40 lbs 65 00-87 50; few Good & Choice 65-140 lbs woolled lambs 45 00-49 00 Slaughter Sheep 14 00-23 00

GOATS 52 Large Adults 24 00-31 00 per head, one 38 00 per head, Large Kids 26 00-32 00 per head, small kids 14 00-24 00

Western Maryland Livestock

Westminster, Md.

Tuesday, April 21

Report supplied by auction

BUTCHER COWS. Steady to 50 cents higher. High Yield 47.00-48.50; Standard & Utility 44.00-47.00; Cannors 41.00-44.00; Shelly 42 00 Down. Bulls Good run! High Yield 58.00-59.85; Good 53.00-58.00; Med. 49.00-53.00. Steers Few Low Choice 60.00-62.25; Good Holsteins 52 00-55.00. Heifers Few Choice 59.50-61.00; Good 55 00-59.00.

BUTCHER HOGS. Steady prices on light run US #1 & 3 215-240 lbs 39.10-40.25; 240-260 lbs. 37.50-38.75. **SOWS** US 1&2 300-600 lbs. 35.00-37 50; #2&3 32.00-35.00 **BOARS** 400-600 lbs 31 75-32 00, one 355 lbs. at 27.75.

VEAL CALVES. Choice calves absent Good & Low Choice 90.00-100 00, Standard 75.00-90.00; Stocky & Thin 55.00-75.00. Killers 80-100 lbs. 60.00-70 00; Weak & Rough 60 00 Down.

CALVES RETURNED TO FARM. Active bidding Holstein Heifers Good demand few 100-110 lbs 160 00-185 00; Holstein Bulls Bulk 95-115 lbs. 82.00-95.00, some 72 00-82.00; Beef Type Good demand, 80-110 lbs. 70 00-100.00. Spring Lambs Good & Choice 60-75 lbs. 75.00-105.00; Sheep 15.00-22.00.

STOCK CATTLE: Good Run,

Choice cattle scarce. Steers Good 300-500 lbs. 62.00-68.00; Med. 55.00-62.00; Good 500-700 lbs. 56.00-63.00; 700-900 lbs. 50.00-55.00. Heifers Choice 300-500 lbs. 55.00-63.00; Good 51.00-56.00. Medium 45.00-50 00; Few 600-750 lbs. 48.00-54.00. Bulls Choice 400-500 lbs. 59.00-63 00; Good 54.00-59.00.

PIGS AND SHOATS: Light run. By the Head 15-30 lbs. 7.00-15.00; 30-60 lbs. 20.00-26.00; By the Lb. 90-165 lbs. 28 00-32.50, St Boar 230 lbs. at 31.75.

Belleville Auction

Wednesday, April 22

Report supplied by PDA

CATTLE 117 Compared with last Wednesday's market, slaughter cows 25 cents-\$1.25 higher Few Good slaughter steers 55 00-59.00 Individual Good slaughter heifer at 55.85 Utility and Commercial slaughter cows 43 35-46.60, couple 48 50, Cutters 42.50-45, few Canner and Low Cutters 37 60-41 Few Good slaughter bullocks 57.00-58.10 Few Yield Grade #1, 900-1750 lbs slaughter bulls 53 00-58.60 Few Large Frame #1, 4-650 lbs feeder steers 60.50-71, few Large #2, 380-620 lbs. 52 00-55 Few Medium #1, 520-650 lbs feeder heifers 53 00-58 00.

CALVES 125 Couple Choice vealers 86 00 and 101, few Good 72 00-85, Standard and Good 70-95 lbs 59 00-64, few Utility 50-80 lbs 50.00-55 00. Farm Calves Holstein

bulls \$5-\$15 higher. Hol. Bulls 85-120 lbs. 67.00-95; few Hol Heifers 100-130 lbs 99.00-167.50.

HOGS 368 Barrows and gilts mostly \$1-\$1 50 higher. US No 1-2 210-235 lbs. barrows and gilts 41.00-41 85, No 1-3 2-255 lbs. 37 75-40.50, No 1-3 140-190 lbs. 35.75-37 85. Few US No 1-3 350-450 lbs. sows 31.00-37 50. Boars 27.00-31.25.

FEEDER PIGS 234. US No 1-3 20-35 lbs. feeder pigs 20 50-28 per head, No 1-3 40-70 lbs 29.00-35 50 per head

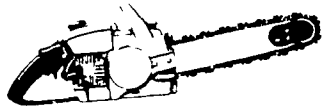
SHEEP 25 Few Choice 70-100 lbs. spring slaughter lambs 67 00-75, Good 40-65 lbs. 54.00-66.00. Few Slaughter ewes 10 00-25 00 **HOLSTEIN DAIRY COWS** \$575-\$1175 00 PER HEAD, **INDIVIDUAL** \$1490 PER HEAD



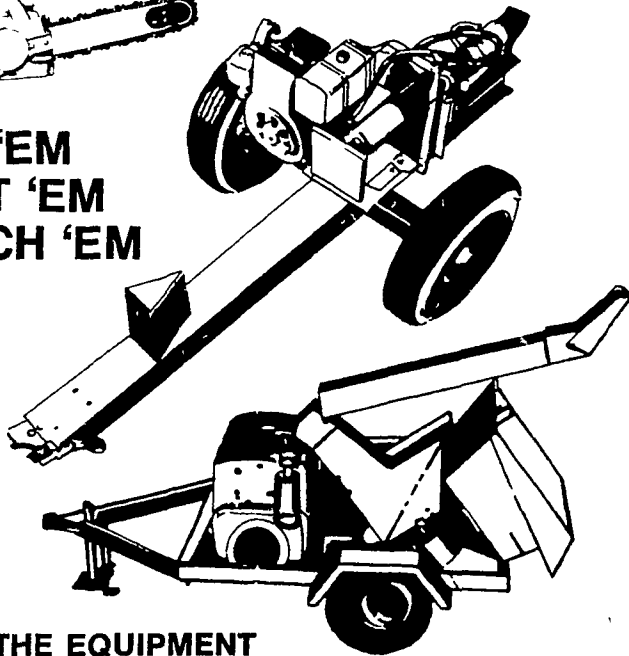
I'M NOT LION...

The Classified Livestock Section Has Beastly Selections!

Make Fast Work of Trees, Fence Rows, Bushes



**CUT 'EM
SPLIT 'EM
MULCH 'EM**



**RENT THE EQUIPMENT
YOU NEED FOR SPRING**

chain saws • hydraulic log splitters
chippers to handle up to 6" limbs

See Us First.

LANCASTER

AceRents

720 N Prince St., Lancaster, PA 17603

393-1701

READING

Reading Rentals

12th & Spring Sts
Reading, PA 19604

376-3896

LEBANON

RENTALS UNLIMITED

940 Cornwall Road
Lebanon, PA 17042

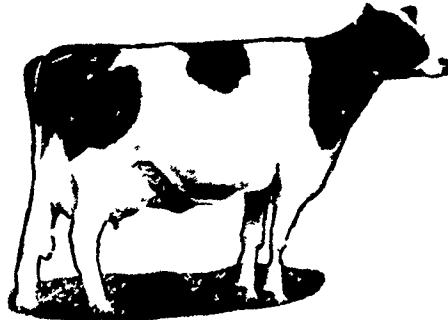
272-4658

PALMYRA

RENTALS UNLIMITED

East Main Street
Palmyra PA 17078

838-5478



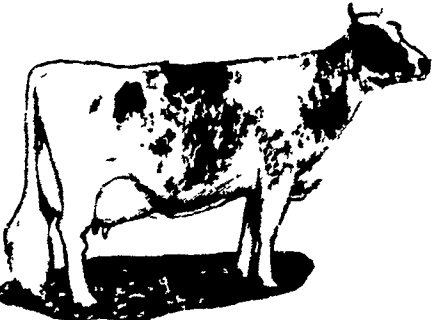
**WHATEVER
HERD YOU HAVE**

HOLSTEIN AYRSHIRE
 GUERNSEY JERSEY

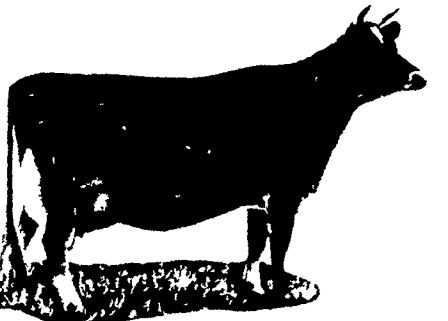


FEED FLORIN

**DAIRY FEEDS
TO YOUR HERD
TO MAKE MILK AND MONEY**



For a healthy, highly productive herd, **FLORIN** Enriched Dairy Feeds are scientifically formulated, tested and proven. Feed it regularly, and see the results...more milk from cows, more money for you.



WOLGEMUTH BROS., INC.

MOUNT JOY, PA
PH: 717-653-1451

