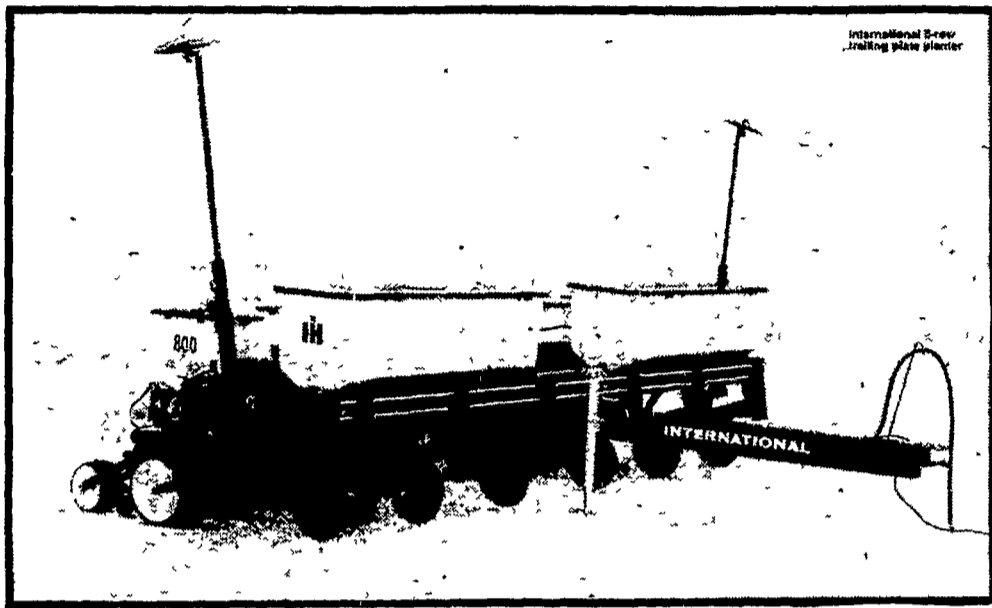


# MESSICK FARM EQUIPMENT

**NEW FROM INTERNATIONAL:**  
Featuring gentleness with accuracy.  
4 & 12 row available

**Early Riser Planters**

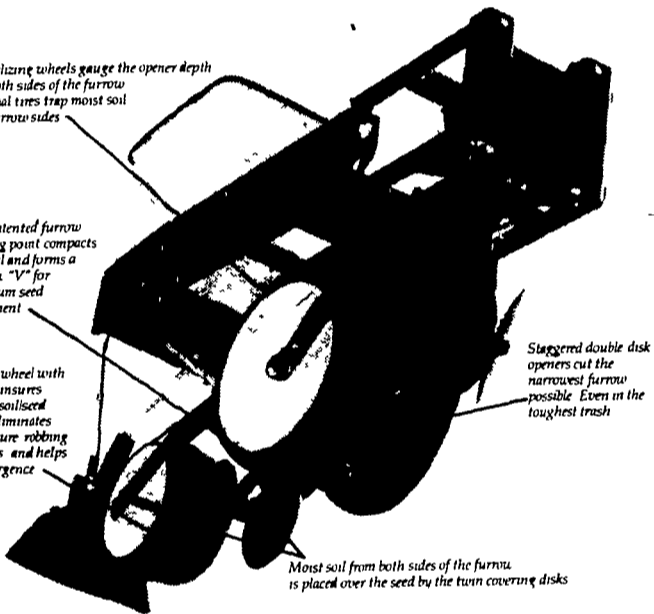


The row unit is designed to create an ideal seed environment.

Equalizing wheels gauge the opener depth on both sides of the furrow. Special tires trap moist soil on furrow sides.

The patented furrow firming point compacts the soil and forms a narrow "V" for optimum seed placement.

The press wheel with center rib insures optimum soil/seed contact eliminates any moisture robbing air pockets and helps early emergence.



Slaggered double disk opens cut the narrowest furrow possible. Even in the toughest trash.

Moist soil from both sides of the furrow is placed over the seed by the twin covering disks.

**SET THE DIAL FOR PRECISION DEPTH CONTROL**

## RED POWER BUYER'S CHOICE

Customer Cash Payment From \$500 to \$3500 or IH Red Power Dollars from \$650 to \$4500 or Free Cub Cadets

## GOOD CLEAN USED TRACTORS

- IH 966 D w/Cab
- IH 350
- IH B 275 Utility
- Farmall M

## INTERNATIONAL 986 TRACTOR



**THE PRACTICAL CHOICE, IF YOU WANT TODAY'S MOST MODERN 105 HP TRACTOR**  
Leads its class in performance and convenience

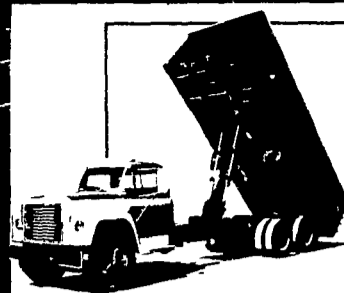
## NEW INTERNATIONAL MODEL 56 PLANTER

Fully Equipped With Insecticide **\$3850**

# MESSICK FARM EQUIPMENT, INC.

RHEEMS EXIT - RT. 283, ELIZABETHTOWN, PA  
PHONE: 717-367-1319, 653-8867

WARREN SPICKLER — HOME 653-4560 RAYMOND MILLER — HOME 653-8762



## Tough, Dependable Truck Bodies & Hoists

**Omaha Standard**

FARMERSVILLE EQUIPMENT INC. Ph. 717-354-4271

### USED EQUIPMENT SPECIALS...

1280 JD Plateless Liquid Planter, with Carriage	\$1500
1240 JD Plateless Dry Fertilizer	\$1700
JD 45 3 Bottom 16" Plow	\$ 600
JD 54 Spreader, Like New	\$2000
NH 469 Haybine	\$ 995
Int 990 7' M Cond	\$ 995
'79 NH 1495 SP Ford, gas, cab, 12' hd, excell cond	\$15,000

### TRACTORS:

MF 25 D Tractor	\$1500
Oliver 1755 Diesel	\$8500
Ferg TO-20	\$1500

### USED COMBINES: CALL FOR PRICES —

1976 JD 6600 Diesel, Clean Machine Thru-out, Available with Gr Table & Cornhead, Wide or Narrow  
JD 55 Combine, Late Model, Clean, Good Working Cond, with 2 Row Head And 13' Platform  
Used 6 Row Cornhead  
Used 15' Grain Platform

### SPECIALS ON ALL NEW EQUIPMENT — CALL FOR PRICES

JD 850 Tractor	NH 230 Wagons
JD 2640 Tractor	NH 30 Whirl-A-Feed Blower
JD 643 Cornheads	NH 9'x6'x9" Blower Pipes
JD 650 Rake	JD 2500 6-Btm On Land
JD 660 Rake	JD 2600 4-Btm, 18" Plow
NH 256 & 258 Rakes	JD 1710 11' Mulch Tiller
JD 346 Wire Tie Baler w/Thrower	JD 1000 6 1/2' Field Cult
JD 16A Chopper	Also Wagons, Field Cultivators, Disks, Planters, Tiller & More In Stock!
JD 1209 Mower Cond	
JD 1065 Wagons	
JD 1075 Wagons	

- ★ Waiver of Interest Where Applicable
- ★ Old Prices On Machinery In Stock



## KERMIT K. KISTLER, INC.

Farm Machinery Sales & Service

Rt. 143, Lynnport, PA 18061  
PH: 215-298-2011

SPERRY NEW HOLLAND



## NEW EQUIPMENT ON SALE, PRICES CASH...NO TRADE



	WAS	NOW
KUBOTA M 4000, 47 hp.....	\$9990	<b>\$8900</b>
NH 368 Tank Manure Spreader.....	\$7313	<b>\$5950</b>
NH 519 Manure Spreader w/fluid endgate.....	\$5493	<b>\$4670</b>
FMC 1229 TM 3 pt. Fan Sprayer.....	\$4570	<b>\$3995</b>
JOHN DEERE 550 Trailer Sprayer w/40' Boom.....	\$4100	<b>\$3400</b>
JOHN DEERE 335 Skid Sprayer.....	\$2460	<b>\$1975</b>

### USED EQUIPMENT

JD 7000 Conventional Wide Row Planter, Dry or Liquid Fert. w/Insecticides.....	<b>\$5300</b>
IHC 400 Cyclo 4 Row N Planter w/dry fert. and insect.....	<b>\$1200</b>
2 - JD 4020 Tractor, Power Shift, reconditioned w/new tires.....	<b>\$10,500</b>
JD 2040 Tractor in Excellent Condition, 245 hours.....	<b>\$9200</b>
JD 1520 Gas Tractor, reconditioned.....	<b>\$6200</b>
Ford 2000 Gas Tractor, good shape, 977 hours, Diamond Tread Tires.....	<b>\$4950</b>
Ford 3000 Diesel Tractor.....	<b>\$4800</b>
Ford 3400 Loader Tractor w/new rubber, 911 hours.....	<b>\$5800</b>

## M.S. YEARSLEY & SONS, INC.

110-120 E. Market Street  
West Chester, Pa. 19380  
215-696-2990