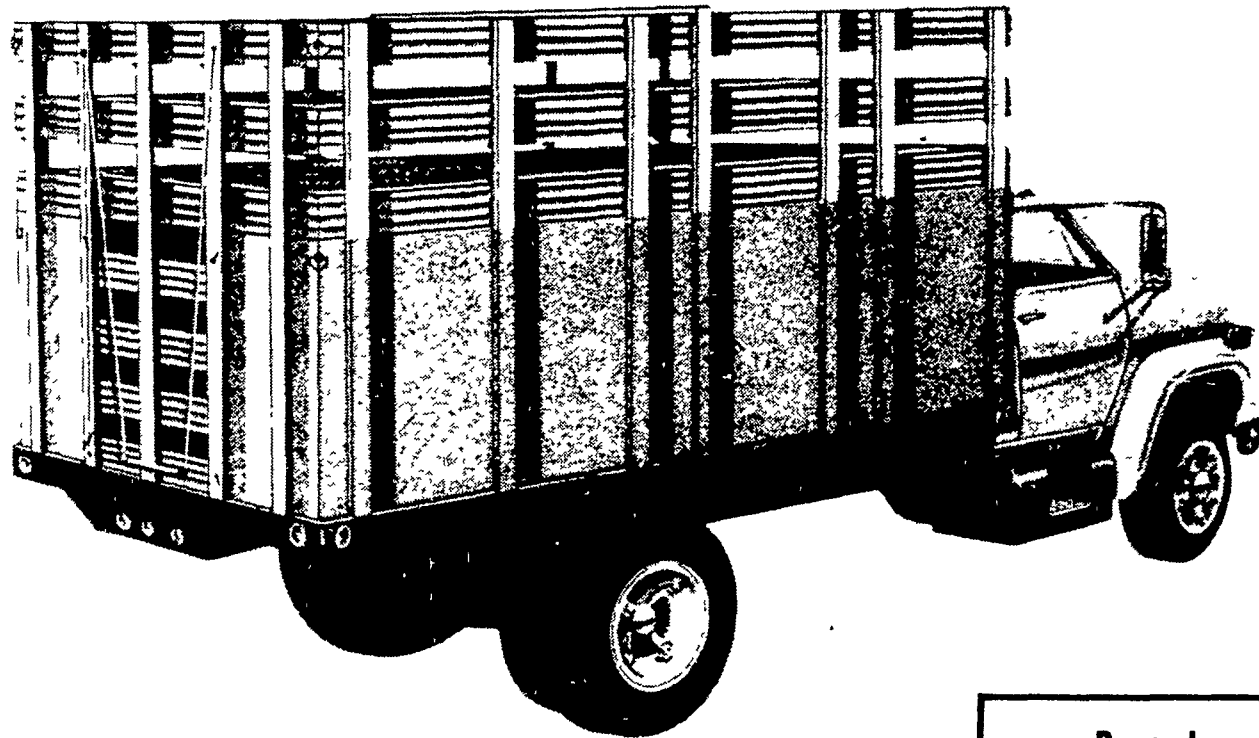


# Reading Farm-Planned Grain and Livestock Bodies

## FARM EQUIPMENT EXPO

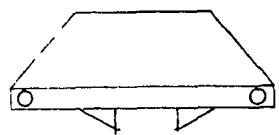
MARCH 5, 6, 7, 1981

STATE FARM SHOW BUILDING  
CAMERON AND MACLAY STS.  
HARRISBURG, PA 17105



### Box-formed reinforced stakes.

Side panels are electrically welded to 14 gauge steel stakes which are reinforced at their base for extra strength at and above floor lines and which fit smoothly and snugly into the side rails. Each stake pocket is reinforced with a 12 gauge steel box welded into the side rail.



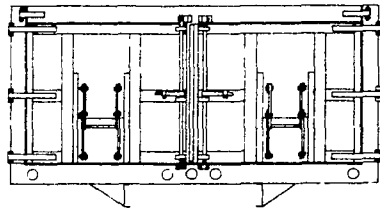
### Solid heavy duty platform, wood or steel.

Side rails are of 11 gauge steel channels with full welded radius corners. Three standard floor types: 3/16" smooth or 3/16" deck plate steel or 2 (nominal) x 10' ship lap sealed dense Southern yellow pine.

### Extra storage option

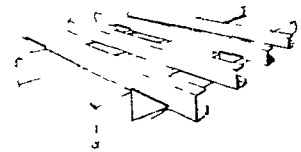
All steel under boxes in variety of sizes

Also available with full opening rear doors with hinged rear header and small dual metering grain gates



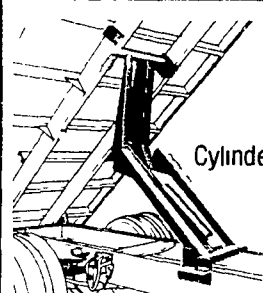
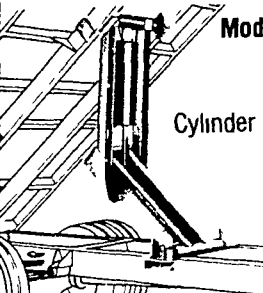
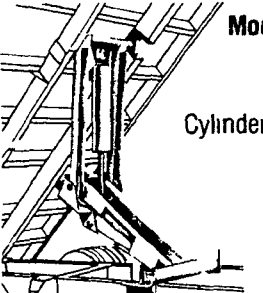
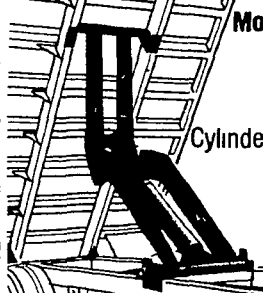
### Rugged understructure.

Reading gives you two full length, longitudinal sills of structural steel, reinforced on both sides and rear with multiple steel gussets. Cross members are of 11 gauge steel, with extra cross members fore and aft of wheel area for extra strength. Sills, cross members and side rails are electrically welded and interlocked into one rigid integral unit.



### Lo-Boy Single Cylinder Scissors Hoists

Pick the one for your truck, your job, your convenience, your profit!

 <p><b>Model: CD-411-DA</b> Lo-Boy Single Cylinder Scissors Hoist C/A Cab-to-Axle 60" to 84" For Body Length 9' to 13½' Payload 8 to 11 Tons*</p>	 <p><b>Model: CD-519-DA</b> Lo-Boy Single Cylinder Scissors Hoist C/A Cab-to-Axle 84" to 108" For Body Length 12 to 16' Payload 12 to 21 Tons*</p>	 <p><b>Model: CD-624-DA</b> Lo-Boy Single Cylinder Scissors Hoist C/A Cab-to-Axle 84" to 126" For Body Length 12' to 18' Payload 14 to 24 Tons*</p>	 <p><b>Model: CD-626-DA</b> Lo-Boy Single Cylinder Scissors Hoist C/A Cab-to-Axle 102" to 156" For Body Length 13½' to 20' Payload 14 to 26 Tons*</p>
--	---	--	--

**STOP BY WE'RE IN BOOTH #638  
KICK A TIRE AND TALK A LITTLE!**

**See On Display For The First Time,  
The All New  
READING GRAIN BODY**



Dial Toll Free 800 732-0004  
310 Richardson Drive  
Lancaster Hempfield Industrial Park  
P O Box 4626  
Lancaster PA 17604  
717 394 2647

### DISTRIBUTORS FOR:

- |                           |                           |
|---------------------------|---------------------------|
| <b>AUTO CRANE</b>         | <b>FLINK SPREADERS</b>    |
| <b>PESCI CRANE</b>        | <b>CHELSEA P.T.O.</b>     |
| <b>HIAB CRANE</b>         | <b>BORG-WARNER</b>        |
| <b>GALION DUMPS</b>       | <b>TODCO LIFT GATES</b>   |
| <b>GALION LIFT GATES</b>  | <b>WESTERN SNOW PLOWS</b> |
| <b>VIKING SNOW PLOWS</b>  | <b>STAR CRANES</b>        |
| <b>DIAMOND SNOW PLOWS</b> | <b>RAMSEY WINCH</b>       |