

HOMELITE®

Homelite® Centrifugal Pumps

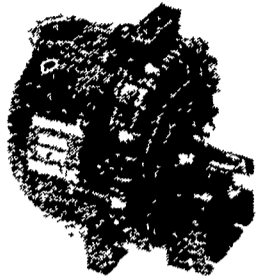
1 EP215-1 One of two new self priming agricultural pumps • Pump body impeller and volute made of corrosion-resistant thermoplastic • Handles liquid fertilizers herbicides pesticides and other salt and alkaline solutions which normally damage conventional aluminum and cast iron pumps • Engine replaced by a pedestal and drive shaft assembly allowing choice of driving power source • Output capacity is variable up to 6 000 g p h through a 1½" suction discharge • Total head up to 110' • Carbon ceramic shaft seals with stainless steel and Buna N rubber* parts • Weight 10 lbs (pump only)

2 EP 220-1 This model also gives you a choice of driving power source such as electric motor or PTO shafts • Variable output capacity up to 9 600 g p h with a 2" suction discharge • Rugged injection molded thermoplastic pump body impeller and volute easily handles herbicides pesticides and other salt and alkaline solutions • Self priming design has built in check valve to provide quick repriming after pump shutdown • Disassembles with a screwdriver • Shaft seals have stainless steel and Buna N rubber* parts • Total head up to 110' • Weight 10 lbs (pump only)

3 AP 215-1 Rugged thermoplastic pumps are ideal for farm and industrial use • Designed to pump liquid fertilizers herbicides pesticides and other salt and alkaline solutions • High output capacity of 6 000 g p h through a 1½" suction discharge • Four cycle single cylinder engine develops 3 hp • Automatic rewind starter • Magnetic ignition for fast starts • Pump impeller volute and body reinforced polyester thermoplastic to resist internal corrosion • Self priming design uses built in check valve and carbon ceramic shaft seals with stainless steel and Buna N rubber* parts • Weight 32 lbs

4 AP 220-1 Economical to operate and maintain with an output capacity of 8 400 g p h with a 2" suction discharge. Ideal for pumping liquid fertilizers and pesticides • Pump body impeller and volute are reinforced polyester thermoplastic to resist corrosion • Fast self priming design with check valve gives 15 ft suction lift in 15 sec • Total head up to 94 ft • Carbon ceramic shaft seals made of stainless steel and Buna N rubber* • Powered by a 4 cycle single cylinder engine with splash type lubrication • High voltage magnetic ignition system • Washable foam air cleaner • Weight 32 lbs

AGRICULTURAL PUMPS



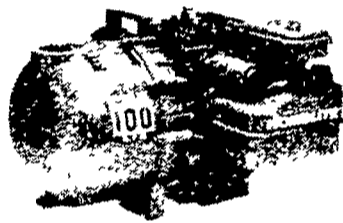
1 EP 215 1

SALE
\$119.00
List \$189.00



2 EP 220 1

SALE
\$129.00
List \$198.00



3 AP 215-1

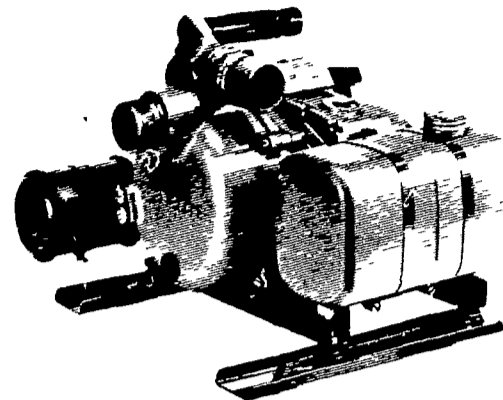
SALE
\$179.00
List \$249.00



4 AP 220-1

SALE
\$199.00
List \$274.00

IN STOCK ITEMS ONLY

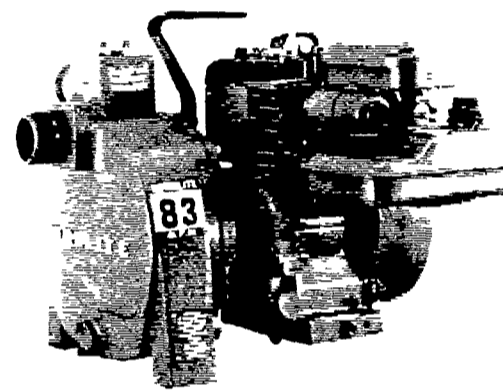


Model XLS1½ (1½")

Pump
• Cast aluminum pump end
• Self priming design
• Cast iron open 3 vane impeller
• Vibration isolated skids
• Rubber cushioned carry handle

Suction/discharge nipples and metal strainer
• Steel wear plate
Engine
• Air cooled Homelite* 2 cycle engine
• Diaphragm type carburetor
• Automatic recoil starter

SALE \$329.00
List \$479.00



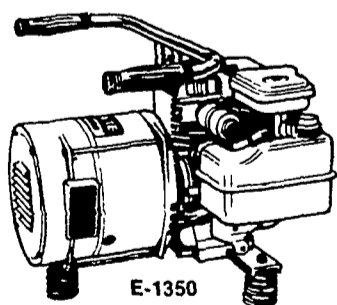
Model 110SU1½ (1½")

Pump
• Cast aluminum pump housing
• Cast iron 3 vane impeller
• Self priming design
• Suction/discharge nipples
• Corrosion-resistant metal strainer

Carry handle
• Steel wear plate
• Cast iron impeller housing
Engine
• 2 hp 4 cycle engine
• Automatic recoil starter

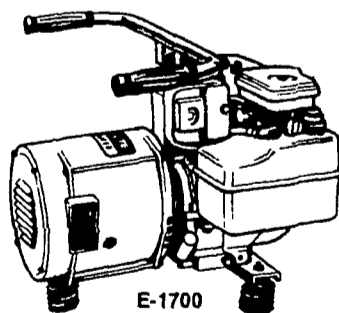
SALE \$299.00
List \$389.00

GENERATORS



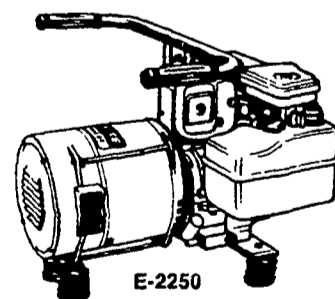
E-1350

SALE
\$329.00
List \$465.00



E-1700

SALE
\$399.00
List \$545.00



E-2250

SALE
\$499.00
List \$655.00

EMERGENCY STANDBY POWER FOR THE HOMEOWNER

Run Your Furnace, Freezer, Refrigerator, Lights, TV



Monday, Thursday, Friday 'til 9:30 • Tuesday, Wednesday, Saturday 'til 6:00

ELM, PA.
(717) 665-2407

WE SERVICE

SALE ON STOCK ITEMS ONLY