

Farm Calendar

Today, February 7

Ephrata Area Young Farmers 12th annual banquet, 6:45 p.m., Mt. Airy Fire Hale
 Grassland FFA Chapter donkey basketball game, 7:30 p.m., Garden Spot High senior gym

Monday, February 9

Pennsylvania Young Farmers 21st annual convention, Hershey Lodge & Convention Center, continues tomorrow.
 Hunterdon County Winter Crop Production meeting, 10 a.m. - 3:30 p.m., Extension Center, Flemington, N.J.
 Poultrymans Service Seminar,

Now is the Time

(Continued from Page A10)

much of this sludge there could be a build-up of the heavy metal content in the soil and result in being toxic to plants. Most chemical tests of the sludge will reveal the limitations per acre. We encourage the use of sewage sludge as a farm fertilizer, as long as the land owner knows the limitations.

TO PLAN FOR SEEDING LEGUMES

It's not too soon to be making plans for seeding clover or alfalfa seeds in winter grain. Many of our good stands have been obtained by making a split seeding broadcast into the winter wheat. One of these to be done in late February and the second one the early part of March. When we make these broadcast seedings in grain we count on the alternate freezing and thawing of the soil to work the small seeds into the topsoil. This is the reason for broadcasting the seeds very early in the spring. Wheat is usually the best grain into which the seeding is to be made. Barley and Rye tend to get too much growth along with the greater danger of lodging and smothering out the small legume plants. If the broadcast method is to be used, it should be done by the middle of March. The use of the band-seeding method later in March might be a better way to establish a new legume stand.

6:30 p.m., Holiday Inn North, Lancaster

Tuesday, February 10

Atlantic Breeders District 4 meeting, 7 p.m., Blue Ball Fire Hall

Small fruits workshop, 9 a.m., Fruit Research Lab, Biglerville, continues tomorrow

Beef cow-calf meeting, 7:30 p.m., Adams County Extension Office

Delaware grain marketing workshop, 8:30 a.m.-3:30 p.m., Sheraton Inn, Dover

Holstein championship show exhibition, 1 p.m., Troy Boro Hall, Troy.

Pennmarva annual meeting & Congressional reception, Washington, D.C.

Wednesday, February 11

Atlantic Breeders District meeting, 7 p.m., Felton Fire Hall

Elanco Adult Farmers cattle management meeting, 7:30 p.m., Union Grove School, Terre Hill.

Thursday, February 12

Lancaster Extension Association annual dinner meeting, 6:30 p.m., Farm & Home Center.

Adams County Poultry Update, 7:30 p.m., Vo-ag Room, Bermdian Springs High School.

Adams County vegetable growers meeting, 10 a.m., Fruit Lab, Biglerville.

Tobacco producers meeting, 7:30 p.m., Penn Manor High relocatable building.

Friday, February 13

Mastitis meeting, 9 a.m. - noon, for servicement, vets & electricians; 1-3 p.m. for dairymen
 Montgomery County Dairy Day, 10:30 a.m., Heritage Restaurant, Franconia.

Garden Spot Young Farmers Assn., 6:45 p.m., Blue Ball Fire Hall

Dover Young Farmers annual banquet, 7 p.m., Dover Fire Hall

Saturday, February 14

Tack auction & swap, South Annville Twp Community Bldg, starts at 1:30 p.m.; auction at 6:30 p.m.

Cumberland County Holstein Club annual meeting, 10:45 a.m., Carriage Room, Allenbury, Boiling Springs

Feb. 20 deadline for tractor pull

HARRISBURG — February 20 is the deadline for entries in the second annual Pennsylvania State Championship Stock Farm Tractor Pull to be held in the Farm Show Complex large arena on March 5 and 6.

The State Championship Pull will be held in conjunction with the Farm Equipment Expo, featuring more than 170 exhibits, on March 5-7.

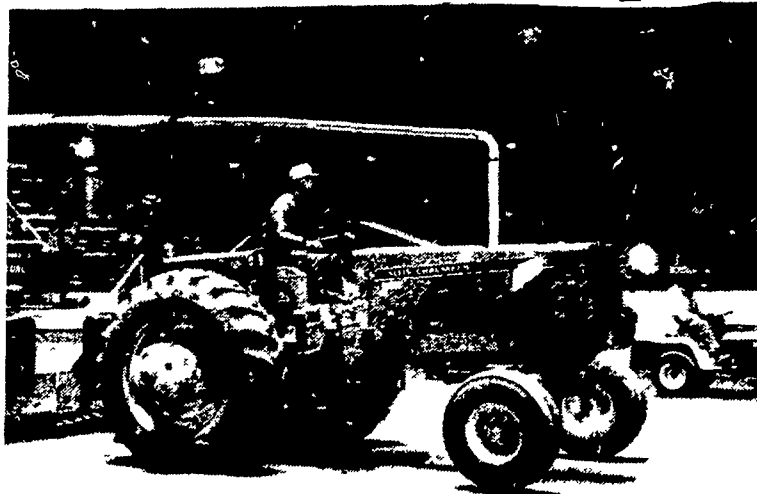
Persons interested in entering any of the classes of the pull competition should contact the Pennsylvania Tractor Pullers Association, P.O. Box 157, New Holland, Pa. 17557, or telephone (717) 354-8600.

Entry fee is \$15 per class and deadline is Feb. 20. Competition will be conducted under the rules of the PTPA's 1981 Stock Tractor requirements.

The tractor pulling schedule:

March 5 - 10 a.m., 5500-lb. class, 1 p.m., 9000-lb. class; 4 p.m., 13,000-lb. class; 7 p.m., finals among the top ten finishers in each of these classes.

March 6 - 10 a.m., 7500-lb. class; 1 p.m., 11,000-lb. class; 4 p.m., 15,000-lb. class; 7 p.m., finals among the top ten finishers in each of these classes.



Barry Ott, of R2 Bangor, will be pulling in the 9000 and 11,000-lb. stock classes in the Farm Show Complex large arena. Last year, he finished 10th in the 13,000-lb. class.



Competing in the 13,000 and 15,000-lb. classes of the State Championship Tractor Pull on March 5 and 6 will be Robert Kiefer, R4 Bangor. Last year, he finished seventh in the 13,000-lb. class.

ROPE IN SOME EXTRA CASH!

Advertise With A Lancaster Farming CLASSIFIED AD

Phone 717-394-3047 or 717-626-1164

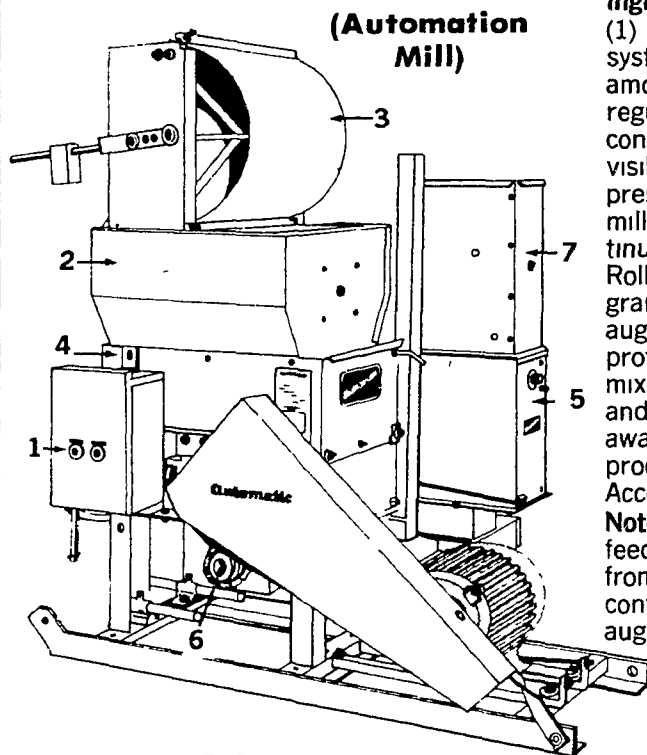


Automatic ELECTRIC FEED PROCESSOR

Process and blend 3 or more ingredients at one time!

(1) Control center (Type III timer system) predetermines and records amount of feed grain (2) Bin Switch regulates input auger, automatically controls grain level in hopper, (not visible), (3) Automatic scale meters preset amount of grain through roller mill, operates automatically and continuously without power, (4) Automatic Roller mill with fast-roll attachment rolls grain, (5) Dial-controlled variable speed augers in electronic meter let you add protein, mineral or medication into mixing auger, (6) Mixing auger mixes and delivers processed feed to take-away auger. Supply auger and mill processed preset amount of grain, (7) Accessory hopper with flow switch

Note: The Automatic Dump Scale and feed metering units may be gravity fed from overhead bins or hoppers. Flow-control switches are required if input augers are used in place of gravity flow



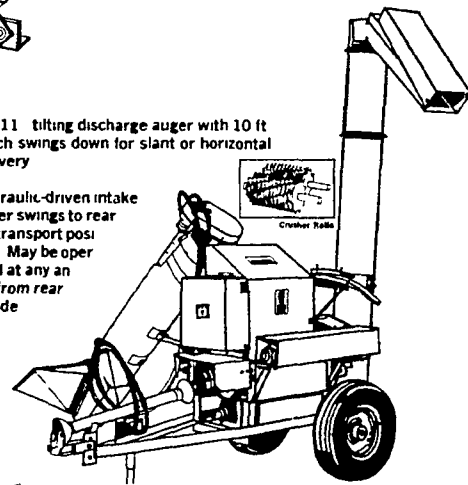
EAR CORN UNIT

Automatic's ear corn unit handles wet, shucky and even frozen ear corn. The crusher unit shreds the cob followed by rollers that crack the corn, producing a flaky, dust-free feed for greater digestibility. The hydraulically driven intake auger swings to the rear for transport and may be operated at any angle from rear to side.

Dust-free rolled grain is more palatable, easier to digest, eliminates wheezing and many digestive disorders.

Fig 11 tilting discharge auger with 10 ft reach swings down for slant or horizontal delivery

Hydraulic-driven intake auger swings to rear for transport position. May be operated at any angle from rear to side.



OPEN HOUSE

THURSDAY, FEBRUARY 19, 1981

FROM 10 A.M. to 3 P.M.

HOFFMAN BUILDING, SOLANCO FAIR GROUNDS

- ★ Food & Refreshments
- ★ An All-New Show Featuring the Allis-Chalmers Spokeswoman with songs, prizes & fun for the whole family
- ★ See the better designed line of Allis-Chalmers equipment on display.

GRUMELLI'S FARM SERVICE

QUARRYVILLE, PA 17566

PHONE 717-786-7318

RYDER SUPPLY CO.

P.O. Box 219
 539 Falling Springs Rd.
 Chambersburg, PA 17201
 Phone: 717-263-9111