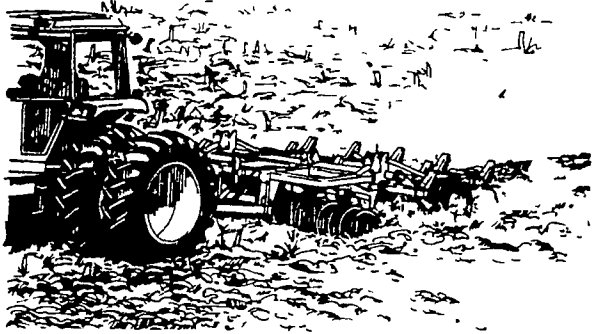


**NEXT  
SEASON'S  
TOOLS**

# IN STOCK NOW

**FROM  
JOHN  
DEERE**

**John Deere's Mulch Tiller lets you run parallel to last year's rows without plugging.**



Combined tillage saves time, fuel and soil. The curvature of 22-inch spherical blades works with the gang angle to cut heavy trash better than coulters. Heavy-duty 1½x2-inch chisel standards shatter soil and mix residue, with power to spare. And, adjustments are refined for fast, easy results.

**MODEL 1710 A 11 Ft.  
9 SPRING TRIP STANDARD  
\$5765<sup>00</sup>**

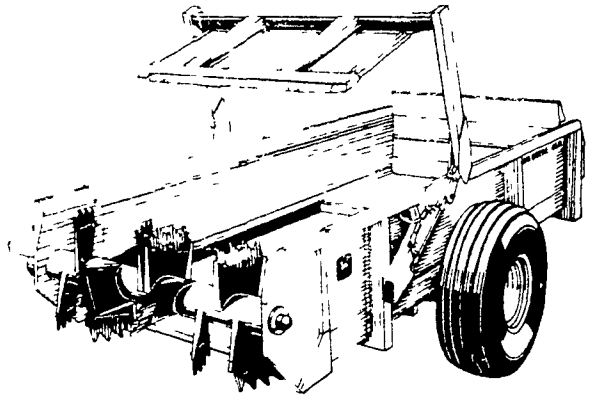
**Completely renovate your pasture in just one trip with a Powr-Till™ Seeder**



You know the value of interseeding pasture around here. So come in to see the 1550 Powr-Till Seeder. Design features start with a beefed-up drivetrain featuring a T-drive gearbox, two slip clutches, high-capacity bearings and No. 80 roller chain.

**Model 1550  
POWR-TILL™  
SEEDER \$6350<sup>00</sup>**

**New 450 Hydro-Push™ Spreader helps you avoid freeze-up problems**



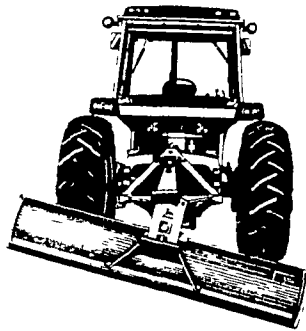
Spreading manure during winter is no fun, especially when the conveyor chain freezes down. And if it breaks, you have a real mess. John Deere now offers you a unique way to avoid spreader freeze-ups — the new 450 Hydra-Push Spreader with 217 cu. ft. capacity (heaped, single beater). Hydraulic power — not a conveyor chain — propels the material to the beater for spreading.

**MODEL 450 HYDRA-PUSH SPREADER  
WITH HYDRAULIC  
ENDGATE \$4867<sup>00</sup>**

**How many jobs could you handle with a rear blade?**

**MODEL 78  
REAR  
BLADES 7 FT.**

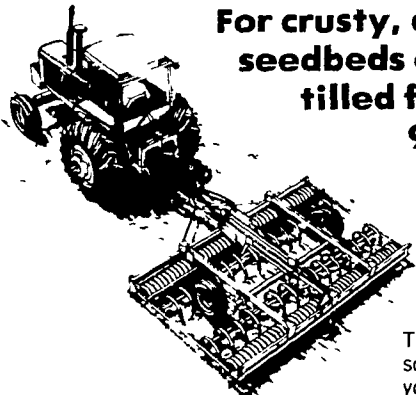
**\$363<sup>00</sup>**



**MODEL 88 REAR BLADE  
8 FT.**

**\$712<sup>00</sup>**

**For crusty, clod-filled seedbeds or loosely tilled fields, this 950 Roller Harrow is your seedbed saver**



This problem solver should be in your shed ready to save a seedbed when trouble pops up. Serrated or crowfoot rollers and spring teeth break clods and condition soil. The result — a better environment for seed germination.

**MODEL 950  
10 FT. \$3820<sup>00</sup>**

**Meet your fall plowing needs with a 1610 Chisel Plow... in stock now**



Twisted shovels rip moisture-absorbing grooves and blend in a soil-saving mulch to reduce runoff and resist wind.

**MODEL 1610 8 FT. 8 SPRING TRIP  
STANDARDS \$1717<sup>00</sup>**

**Simply Tough  
Disks**



**Level disking is quick and easy...just turn one crank to fine-tune fore/aft leveling**

Leave your wrenches in the tractor. Drawn Level Action™ Disks have a simple crank adjustment. Eliminate a center ridge or valley by rotating this crank. A decal by the crank shows even inexperienced help how to make the only adjustment needed in most fields.

**Model 115 — 11'5" — \$3108<sup>00</sup>  
Model 215 — 11'5" — \$3830<sup>00</sup> (Demo)  
Model 215 — 11'5" — \$4029<sup>00</sup>  
Model 1630 — 11'7" — \$5771<sup>00</sup>**

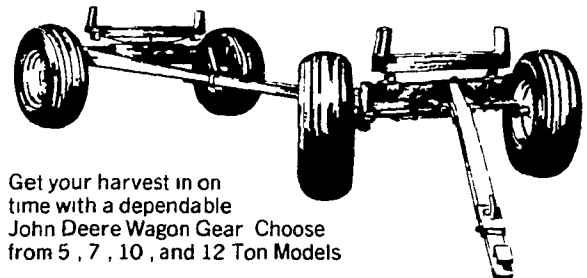
**Rocky fields? We've got the 2800 Plow with spring-reset standards — in stock**



Get a full day's plowing with double pivot spring reset standards. They'll slide over sloping obstructions or trip to clear ledge rocks then reset on the go. But in extra hard ground, the standards remain firm to keep the bottoms in the ground.

**Model 45 — 3 Bottom 16" —  
Safety Trip — \$1445<sup>00</sup>  
Model 2600 — 4 Bottom 18" —  
Spring Reset — \$6059  
Model 2800 — 4 Bottom 18" —  
Spring Reset — \$7190<sup>00</sup>**

**Put a dependable John Deere Wagon into your harvesting lineup**



Get your harvest in on time with a dependable John Deere Wagon Gear. Choose from 5, 7, 10, and 12 Ton Models.

**Model 1065A Wagon  
7 Ton**

**Without Tires or Wheels — \$535<sup>00</sup>**

**4-11Lx15-12 Ply Tires & Wheels — \$402<sup>00</sup>  
4-11Lx15-8 Ply Tires & Wheels — \$370<sup>00</sup>  
4-11Lx15-6 Ply Tires & Wheels — \$354<sup>00</sup>  
4-11Lx14-4 Ply Tires & Wheels — \$320<sup>00</sup>**

**Only John Deere Parts  
Fit and Wear Like  
The Originals...**

**10% CASH DISCOUNT  
ON ALL  
JOHN DEERE PARTS  
THROUGH FEB. 7, 1981**



## ABC GROFF, INC.

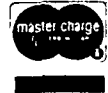


**STORE HOURS**  
Mon., Tues., Wed 7-5  
Thurs., Fri 7-9  
Sat 7-4

**OUR TRUCKS ARE  
RADIO CONTROLLED**

Since 1890  
110 S. Railroad Ave.  
New Holland, PA 17557

Parts 717-354-4191  
Sales 717-354-4731  
Service 717-354-8004



**OPEN THURSDAY & FRIDAY TILL 9 PM**