

Open sheep show results

(Continued from Page C27)

twins, sired by an Indiana ram called The Hulk, often switch places for grand champion and reserve.

He explained the reserve Suffolk twin had been tagged champion at the Maryland State Fair.

MacCauley confessed he likes the 1981 Farm Show champ the best, although he said his mother says the reserve is the better twin. He said his mother has been raising Suffolks since she was eleven-years-old.

"And I've been stuck with it since I was born," he smiled.

Another southeastern Pennsylvania sheep breeder to take home a championship trophy was Troy Ness of R1 Dallastown, York County. He exhibited the

champion Suffolk ram in Sunday's Open Show.

Other Pennsylvania exhibitors showing breed champions included: Kenneth T. Moore, R2 Nichols, New York, Bradford County - champion Hampshire ram, reserve champion Shropshire ram, champion and reserve champion Rambouillet ram, champion and reserve champion Rambouillet ewe; Greg and Chris Strausbaugh, R1 Manns Choice, Bedford County, reserve champion Dorset ram, Harold Lee, R1 Vandergrift, Armstrong County, reserve champion Suffolk ram; Tom Hornburger, champion Corriedale ewe; Jay and Thomas Runkle, Spring Mills, Centre County, reserve champion

Corriedale ewe, Emil Mellot, Needmore, Fulton County, champion Corriedale ram; Kathy Weaver, Everett, Bedford County, reserve champion Corriedale ram, Kelly McConnell, Fredericktown, Washington County, champion and reserve champion Merino ram, champion and reserve champion Merino ewe; Julie Kuzemchak, Pleasant Gap, Centre County, champion carcass lamb on foot; Joyce Witt, Champion, Fayette County, reserve champion carcass lamb on foot.

Show results are as follows.

- HAMPSHIRE**
 1 3 Kenneth T. Moore, Champion Nichols NY, Bradford Co. 2 5 Steward Ebersole & Son, York, York Co. 4 John S. Otto, Loyalhanna, Westmoreland Co.
Under 1 Yr Ram
 1 4 Clyde & Dorothy Brubaker, reserve champion, Lancaster, Lancaster Co. 2 Kenneth T. Moore, Nichols NY, Bradford Co. 3 Steward Ebersole & Son, York, York Co. 4 Champion, Fayette Co.
2 Ram Lambs
 1 Clyde & Dorothy Brubaker, Lancaster, Lancaster Co. 2 Kenneth T. Moore, Nichols NY, Bradford Co. 3 Steward Ebersole & Son, York, York Co.
1 to 2 Yr Ewe
 1 Sarah Lynn Brubaker, reserve champion, Lancaster, Lancaster Co. 2 3 Clyde & Dorothy Brubaker, Lancaster, Lancaster Co. 4 Kenneth T. Moore, Nichols NY, Bradford Co. 5 Steward Ebersole & Son, York, York Co.
Under 1 Yr Ewe
 1 3 Clyde & Dorothy Brubaker, Lancaster, Lancaster Co. 2 Sarah Lynn Brubaker, Lancaster, Lancaster Co. 4 5 Champion, Fayette Co.
2 Ewe Lambs
 1 Clyde & Dorothy Brubaker, Lancaster, Lancaster Co. 2 David G. Lytle

(Turn to Page C29)



Kathy Weaver, 15, of Everett, Bradford County, exhibited the reserve champion Corriedale ram in her first Farm Show competition.



The reserve champion Suffolk ram was exhibited by Harold A. Lee, R1 Vandergrift. Lee, who has been raising sheep since 1946, now has 30 head of purebred Suffolks and a flock of 100 commercial ewes. Showing the ram is Ron Miller; Joyce Croy is shepherdess for the flocks.



The reserve champion Dorset ram was shown by Greg and Chris Strausbaugh, Clearview Acres, Manns Choice. Sire of the champ is Ogan, a \$5000 grand champion ram from the Ohio Dorset Show and Sale in 1977.

GROW MORE WITH...



LIQUID FERTILIZER

SAVE DOLLARS PER ACRE OVER COMPARABLE DRY FORMULATIONS.

Users up and down the East Coast will tell you they paid less and got more from Hi-Score. We are growing but not too fast to still give you personal service and the finest liquid fertilizer you can buy.

From New York to North Carolina and from Ohio to New Jersey, farmers will tell you Hi-Score is the best fertilizer for your dollar.

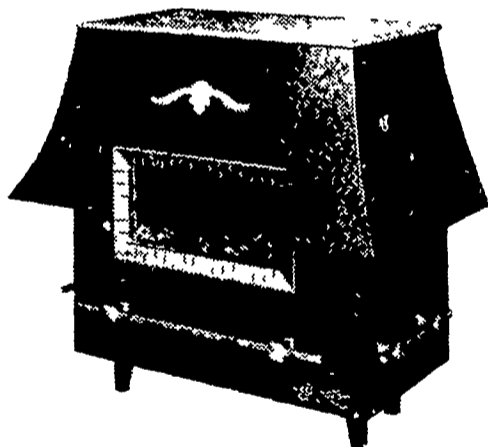
ALSO DISTRIBUTORS FOR SNYDER MOLDED TANKS

DISCOUNTS AVAILABLE ON FERTILIZER AND TANKS.

HI-SCORE a product of
SNYDERS PLANT FOOD COMPANY
 111 WEST NEWPORT ROAD, LITITZ, PA 17543
 TELEPHONE 717-626-8909
 DEALERSHIPS AVAILABLE

COAL

HEAT FOR A FRACTION OF THE COST OF OIL OR ELECTRIC



\$699

Wellington

Automatic Feed Shaker Grate Ash Pan Automatic Thermostat Glass Front 6 Colors

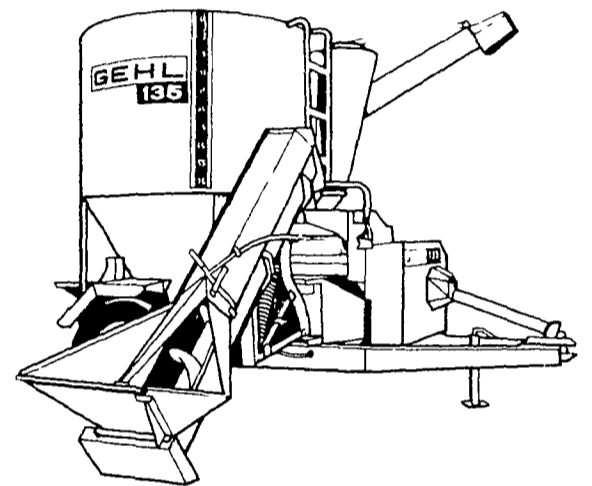
Made in USA



WOOD HEAT

Rt. 212 Pleasant Valley
 Quakertown, Pa. 18951 (215) 346-7894
 Hours: Sun. 1-5; Mon., Tues., Thurs., Fri. 12-8;
 Sat. 8-5; Closed Wednesdays

Grind 4½ bales a minute!



Get big volume feedmaking with Gehl's new 135-bushel hydraulic Mix-All® Smooth power bale feeding up to 4½ bales a minute. Fast, continuous feed recirculation. A thorough mix. New hydraulic design means less maintenance, easier operation. You can also add hydraulic swinging auger feeder, small grain auger, and gravity feeder with feed roll. Stop in today!

Waiver of Interest Plan Until May 1, 1981 On All Hay & Forage Equipment

GEHL® FARM EQUIPMENT

PEOPLE'S SALES & SERVICE

Oakland Mills PA 717 463 2735

N.G. HERSHEY & SON

Manheim PA 717 665 2271

A. L. HERR & BRO.

Quarryville PA 717 786 3521

S. JOHNSON HURFF

Pole Tavern Monroeville NJ 609 358 2565 or 609 769 2565

STOFFER BROS. INC.

Chambersburg PA 717 263 8424

ARNETT'S GARAGE

Rt 9 Box 125 Hagerstown MD 301 733 0515

UMBERGER'S MILL

Rt 4 Lebanon PA (Fontana) 717 867 5161

ZOOK'S FARM STORE

Honey Brook PA

AGWAY, INC.

Chapman Equip. Center Chapman PA 215 398 2553

CHAS. J. MCCOMSEY & SONS

Hickory Hill PA 215 932 2615

WERTZ GARAGE

Lineboro MD 301 374 2672

LEBANON VALLEY IMPLEMENT CO., INC.

Richland PA 717 866 7518

CLAIR J. MYERS

Lake Road R1 Thomasville PA 717 259 0453

PETERMAN FARM EQUIPMENT, INC.

225 York Rd Carlisle PA 717 249 5338

BINKLEY & HURST BROS.

133 Rothsville Station Road Lititz PA 717 626 4705