

**THINK
SPRING**

Lowe's Is Your Farmer's Market

**USED
RAILROAD
TIES**
Reg. \$8.99
NOW \$6.99

FRAMING LUMBER

	8	10	12	14	16	18
2x4	1.39	1.95	2.33	2.69	3.09	3.95
2x6	2.44	3.19	3.66	4.27	4.89	5.79
2x8	3.21	3.99	4.79	5.59	6.59	9.26
2x10	4.44	5.57	6.69	7.79	8.91	11.79
2x12	6.48	7.09	8.51	11.14	12.49	14.60

PRESSURE TREATED LUMBER

	8	10	12	14	16	18	20	22	24
2x4	2.19	3.11	3.59	4.59	4.79	NS	NS	NS	NS
2x6	3.65	4.65	6.09	6.99	7.99	NS	NS	NS	NS
2x8	4.59	5.85	7.99	8.69	9.59	NS	NS	NS	NS
2x10	NS	NS	9.99	NS	12.99	NS	NS	NS	NS
4x4	3.99	NS	7.29	7.89	9.99	NS	NS	NS	NS
4x6	NS	NS	11.49	13.39	15.59	19.69	21.99	NS	NS
6x6	NS	13.99	16.14	19.22	27.55	27.14	32.49	38.29	42.99

**CENTER MATCHED 2x6's
PRESSURE TREATED**

8'	10'	12'	14'	16'
3.43	4.28	5.49	6.16	7.57

TREATED ROUND FENCE POSTS

#92104	2½"x78"	1.59
#92108	3½"x78"	3.09
#92110	4"x78"	3.49

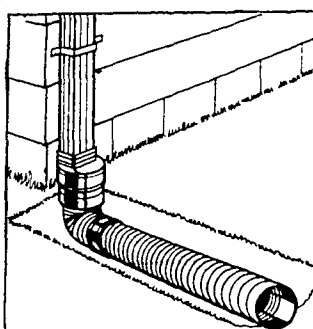
POLE BARN PACKAGES
Available in Stock
Call for Free estimate on any size building

**We Have
CANNONBALL DOOR TRACK**
And Accessories For Your Barn

★ CALL FOR PRICING ★

METAL ROOFING AND SIDING

	36" Net Width Alum Alcoa Rib 36	24" Net Width 5V Crimp Galvanized 29 Gauge Resist Rust Strong and Durable
8	\$ 7.77	\$ 5.03
10	\$ 9.72	\$ 6.28
12	\$11.66	\$ 7.54
14	\$13.61	\$ 8.80
16	\$15.55	\$ 9.99



4" Corrugated Drain Pipe. Flexible plastic pipe bends easily Use with downspout, etc #24112
Ref. Price 27¢

22¢
Ft

METAL ROOFING AND SIDING

	Plain Galvanized Steel Pro Panel II 36" Net Width	White Painted Galvanized Steel Pro Panel II 36" Net Width	Red Painted Galvanized Steel Pro Panel II 36" Net Width
8	N/S	10.64	10.64
10	N/S	13.30	13.30
12	11.75	15.96	15.96
14	13.75	18.62	18.62
16	15.75	21.28	21.28
18	N/S	23.94	N/S
20	N/S	26.60	N/S
22	N/S	29.26	N/S

FENCING IN STOCK

Woven 39" x 330' - \$68.75
47" x 330' - \$84.95
Welded - 48" x 100' - \$39.95
60" x 100' - \$54.95
Barbed Wire - 12½ Ga. - \$24.99

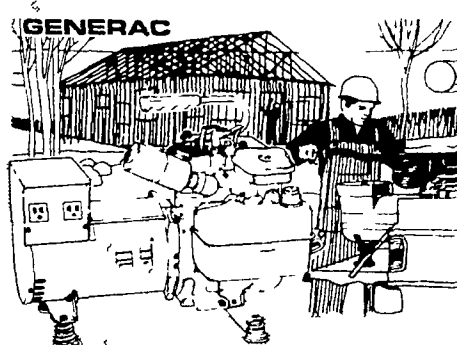
ROOF TRUSSES
Ordered To Your Specifications

THERMAX SHTG
½" - \$7.49 1" - \$12.25

BARN SIDING IN STOCK

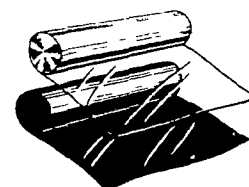
1x8 #3 Spruce #7041

6' through 20' **33¢** per lin. ft.



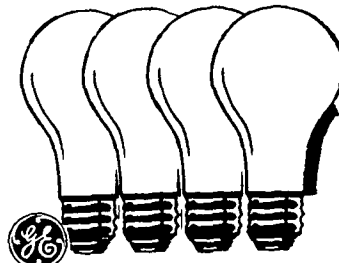
**Spring-Mounted 1800 Watt, 15
Amp Alternator W/4 HP Engine**
Can deliver 120 volts to two
built-in, 2-prong outlets Briggs
& Stratton engine with recoil
start 22" x 14" x 18" #72014

\$319.99
Save \$80.00
Regular \$399.99



4 Mil. Polyethylene.
Use as drop cloth
when painting, ground
cloth, etc 10' x 25'
sheets in black or
natural. #16925.6

\$5.99
Roll
Reg Price \$6.99



G.E. LIGHT BULBS

Your choice...

**FROSTED - 24 Watt Bulbs
40 Watt Bulbs**

Reg. Price 79¢ each

NOW **49¢** EACH
In Case Lots Only

LANCASTER
1107 ENTERPRISE ROAD
EAST PETERSBURG, PA
PHONE: 717-569-7341
1 Mile North of Park City Off Rt. 72 North.

LOWE'S

HOURS
Monday thru Thursday 7:30 A.M. - 5:30 P.M.
Friday 7:30 A.M. - 8:00 P.M.
Saturday 7:30 A.M. - 4:00 P.M.