

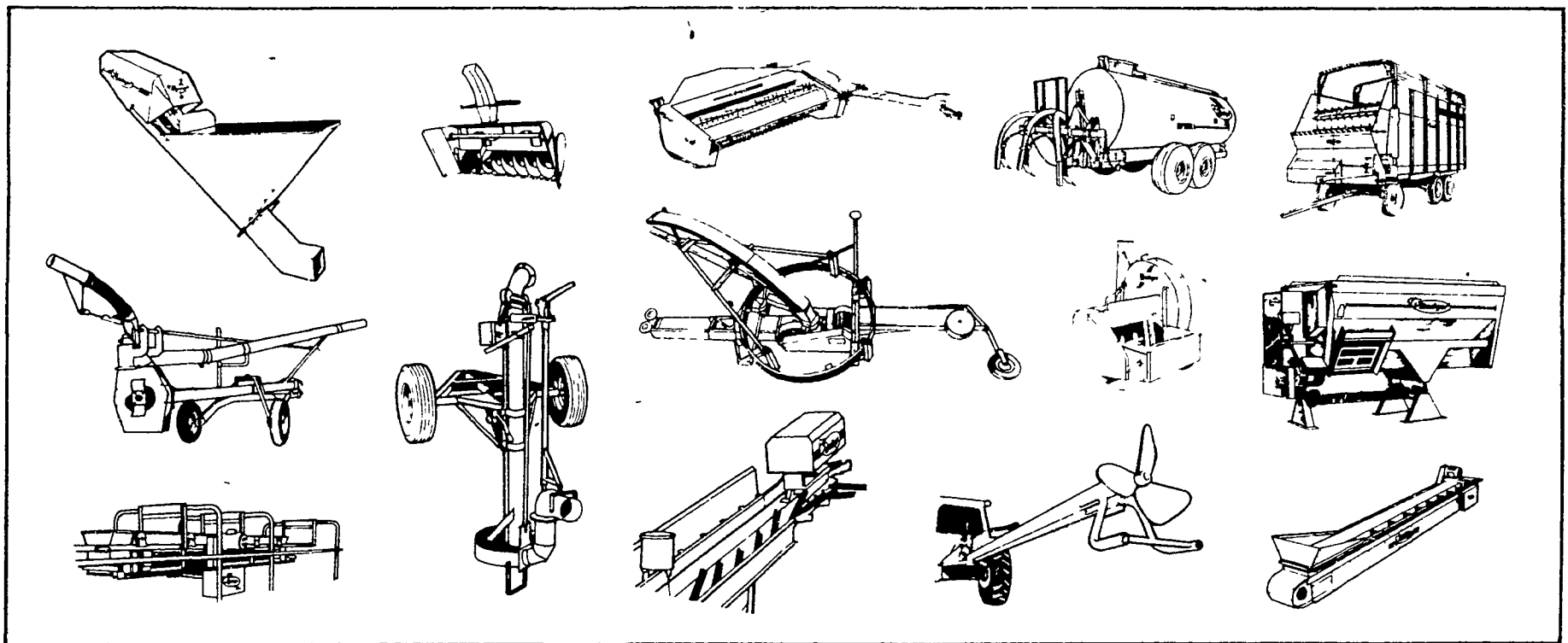


**SEE
THE**

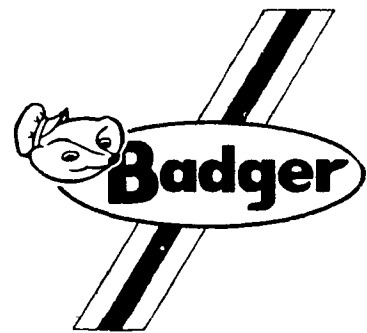
BADGER DISPLAY OF EQUIPMENT AT THE PENNSYLVANIA FARM SHOW

JANUARY 11-16, 1981

Booths 169 through 171 and 184 through 186



- **WAIVER OF FINANCE ON FORAGE EQUIPMENT
TILL MAY 1, 1981**
- **WAIVER OF FINANCE ON LIQUID MANURE PUMPS &
TANKS TILL MARCH 1, 1981**
- **SPECIAL WAIVER OF FINANCE ON SILO UNLOADERS
TILL JUNE 1, 1981. ALSO — WAIVER ON OTHER
RELATED EQUIPMENT. ASK YOUR DEALER FOR
DETAILS.**



BADGER NORTHLAND INC.
KAUKAUNA, WISCONSIN
54130

See Your Badger Northland Dealer Now

GRUMELLI'S FARM SERVICE

Mechanics Grove
Quarryville, PA 17566
(717) 786-7318

SHOW-EASE STALL CO.

523 Willow Rd
Lancaster, PA 17601
(717) 299-2536

PIKEVILLE EQUIPMENT INC.

RD 2
Oley, PA 19547
(215) 987-6277

KNUD HERMANSEN

RD 2
York Springs, PA 17372
(717) 528-4762

CECIL DAIRY SERVICE

RD 1 Rt 274
½ Mi South Rising Sun, MD 21911
(301) 658-6923

McMILLEN BROS.

RD 1
Loysville, PA 17047
(717) 789-3961

ROY O. CHRISTMAN

RD 1
Hamburg, PA 19526
(215) 562-7218

LLOYD E. KREIDER

RD 1
Cochranville, PA 19330
(215) 932-4700

HUTTON FARM EQUIPMENT

c/o Joe Hutton
Mahaffey, PA 15757
(814) 277-5504

MELVIN G. MILLER

RD 2
Spring Mills, PA 16875
(814) 442-8279

C. PAUL FORD & SON

RT 1
Everett, PA 15537
(814) 652-2051

REX RUSSEL EQUIPMENT

RD1
Rome, PA 18837
(717) 247-7858

JOHN BROWN

RR 1
Forksville, PA 18616
(717) 924-3492

RALPH KETTERER

Deep Run Road
Perkasie, PA 18944
(215) 766-8531

MARLIN W. SCHREFFLER

Pitman, PA 17964
(717) 648-1120

BUCKINGHAM'S DAIRY SUPPLIES

RD 4, Box 710
Honesdale, PA 18431
(717) 729-7602