

FARM EQUIPMENT

FARM EQUIPMENT

FARM EQUIPMENT

FARM EQUIPMENT

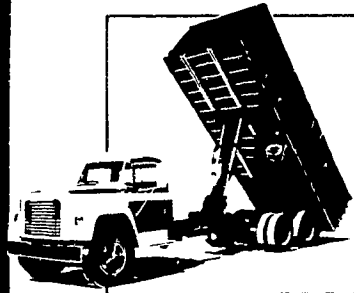
FARM EQUIPMENT

**Massey Ferguson
Model 750 Combine**

- ★ 6 row corn head
- ★ 14' grain table

**FOR SALE OR WILL TRADE
FOR HOLSTEIN HEIFERS**

215-347-1792-
215-347-2346
Cooper Morris



**Tough, Dependable
Truck Bodies
& Hoists**

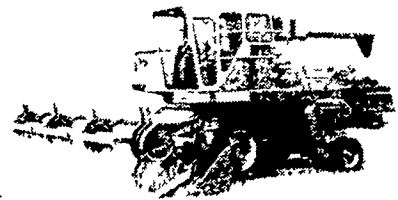


FARMERSVILLE EQUIPMENT INC. Ph. 717-354-4271

FARM EQUIPMENT

FARM EQUIPMENT

Massey-Ferguson Tractors in Stock
Models 205 - 210 - 230 - 255 - 275 - 285
Discount prices plus Rebate



Massey-Ferguson Combines
M-F 550 D with grain & corn head
M-F 750 D with grain & corn head
Rebate and Waiver until Sept. 1, 1981

**CUSTOMER REBATES & WAIVER OF FINANCE
CHARGES ON NEW EQUIPMENT ONLY TILL
JANUARY 30, 1981**

AG TRACTORS	COMBINES
Compacts \$150	500 series \$1000
30 99 hp \$350	700 series \$2000
2000 series \$1000	CORN HEADS
4000 series \$2500	\$100 to \$500

OTHER EQUIPMENT

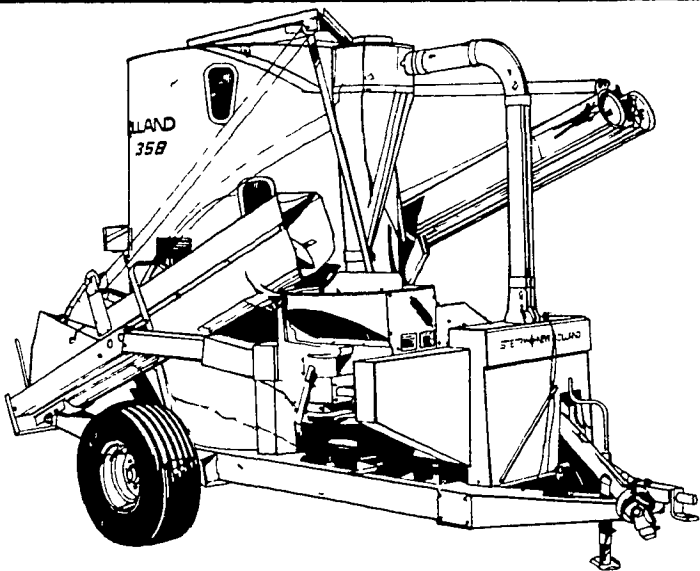
Grain Drill, Corn Planter, Feed Grinder
Mixer, Manure Spreader Plow and Disc
Harrow



**PETERMAN FARM
EQUIPMENT, INC.**

Farm & Lawn Equip
225 York Rd., Carlisle, Pa
717-249 5338 or 717 249 2150

MESSICK FARM EQUIPMENT



**New Model 358
offers big capacity.**

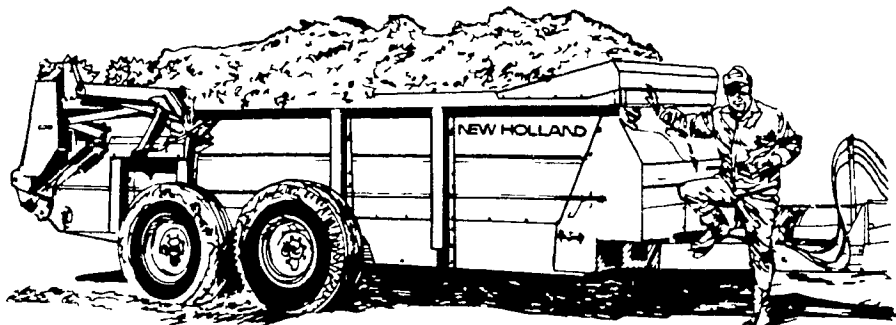
If you're in the market for a new grinder-mixer, check out the Model 358 from Sperry New Holland Special tank design practically eliminates bridging, no matter what crop you're grinding. Check these features:

- 125 bushel tank
- 21-inch hammermill
- 540- or 1,000-rpm drive
- Mechanical or hydraulic drive

The "358" also available with power bale feeder plain feed chute.

SPERRY NEW HOLLAND

A GIANT SPREADER FROM THE SPREADER GIANTS



MODEL 800

Think of the time and trouble you'll save with this giant spreader working for you.

- The largest pull type spreader on the market
- ASAE rated at 570 cu ft heaped volume
- Hauls up to 14 tons per load
- Extra-long hitch accommodates large tractors
- Double apron is driven by a worm gearbox
- Patented beater design creates an extra uniform spread
- Factory installed brakes are available

NEW HOLLAND MODEL 800 WITH BRAKES, HYDRAULIC ENDGATE, TOP BEATER, SPLASH GUARD, CYLINDER & HOSES, 1 ONLY \$10,950

**CHECK OUR SPECIALS
ON SKID LOADERS**

SIX MODELS TO CHOOSE FROM:
22 HP to 62 HP, Gas or Diesel

ONE DEMO MODEL

Priced As Low As **\$7995**

• Call For Details •



WE'RE  HAVING

**Dollar
Dividend
Days**

**FORAGE & BALERS
HAYTOOLS & COMBINES**

**FACTORY REBATES
UP TO \$2500**

**GOOD USED EQUIPMENT
IN STOCK - READY TO GO**

- | | | |
|--|---|--|
| NH 845 Round Baler w/Hyd tie | IH 966 Tractor, excellent | NH 675 Spreader w/gate tandem axle |
| NH 276 Baler w/Thrower | IH 656 D Hyd tractor | IH 550 Harvester |
| NH 320 Baler w/Thrower | Farmall Cub w/Mower | John Deere 10 ft Transport Harrow |
| NH 846 Auto wrap Round Baler | Ford 8N Tractor | Walsh 300 Gal Trailer |
| AC Model B Tractor | Allis Chalmers B w/Snow Blade | Sprayer |
| IH 37 Baler & Thrower | JD 1209 Mower Conditioner Used 1 season - excellent condition | Int 1 Bottom Trailer |
| Oliver Baler Model 520 | MF 3 Bottom 3 pt Hitch Plow | Plow |
| NH 479 Haybine | IH 4 Row Fast Hitch Cultivator | Int 531 5 Bottom Plow (Used) NH 2 Row Snapper Head |
| NH 1469 Self Propelled Haybine | NH 365 Tank Spreader | 450 3 Bottom 16 Automatic Reset Plow |
| NH 469 Haybine | NH 510 Spreader & Hyd Gate | Oliver 3 Bottom 16 Plow |
| IH 650 Harvester 2 Row & Pickup | NH 477 Haybine 7 ft Cut | 2 Used Myers Snow Blades to Fit Tractors or Trucks |
| JD 66 Blower | NI Tandem Axle Spreader w/Hyd End Gate Ex Cond | NH 516 Spreader |
| NH Super 717 Forage Harvester w/1 row or 2 row corn head | | |

**WAIVER OF FINANCE
6/1/81 ON USED HAY
AND FORAGE**

MESSICK FARM EQUIPMENT, INC.

RHEEMS EXIT RT. 283 ELIZABETHTOWN, PA.

PHONE: 717-367-1319 — 653-8867

WARREN SPICKLER HOME 653-4560

RAYMOND MILLER — HOME 653 8762



★ YOUR
FULL SERVICE
DEALER ★

DECEMBER
SAVE SERVICE SAVE
SPECIAL

**GET YOUR EQUIPMENT
SERVICED BY
FACTORY TRAINED
SPECIALISTS**

★ We Repair All Makes
Of Equipment

PLUS: Use Your Tax
Deductions To
Your Advantage

PLUS: Get a 10%
Discount On All
Parts Used In
Repairs

PLUS: Free Trucking On
All Major
Overhauls

**THIS ALL ADDS
UP TO BIG
SAVINGS!**

Call Now For An Appointment

**717-367-1319 or
717-653-8867**

Ask For Richard Witmer

**MESSICK FARM
EQUIPMENT, INC.**

Rheems exit of Rt. 283
Elizabethtown, PA