



INTERNATIONAL® AGRICULTURAL EQUIPMENT

USED TRACTORS

IH F544 D w/WF . . . 7,150
 IH I-504 D w/loader . . . 5,350
 IH 806 D, recon. . . . 9,500
 Farmall 350 2,100
 F-460 G, engine good
 needs TA. 1,975
 Farmall 300 1,750
 Farmall M 1,350
 Farmall M 1,500
 Farmall 300 gas. . . as is 1,100

PLOWS & TILLAGE

IH 540 4-16" plow,
 semi mt. 1,250
 IH 531 3-14" 550
 MF 3 pt 10' disc 450
 MF 520 14' disc. . . . 1,350
 JD 12' drag harrow,
 nice 450
 IH 60 3-14" rope trip . . 300

USED SPREADERS & MISCELLANEOUS

Starline 710 tub Spreader 750-
 Hawk Bilt 257 Tandem
 axle 2,350
 Hawk Bilt 207 . . . as is 250
 Grove 7' blade 150

USED COMBINES

MH 82 w/13' plat . . . 1,250
 MH 92 1,250

USED FORAGE EQUIPMENT

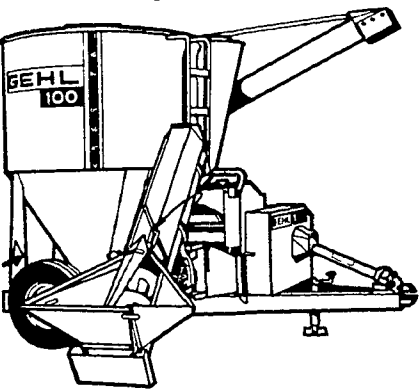
IH 650 harv., 2 hds . . 2,000
 IH 350 harvester w/1-row
 & pickup 1,350
 NH 818 harv., 2 hds as is 650
 Gehl pickup hd for CB600 400
 NH forage box w/chassis 1,500
 IH 61 forage box
 w/chassis. 1,800
 IH 5 Flail chopper 350
 Van Dale forage box
 w/roof 1,400
 Djon forage wagon . . as is 750

USED CORN PICKERS SPECIALS

IH 6A cornpicker 2-row	650
IH 1 PR corn picker 1-row	500
IH 234 w/sheller	Best Offer

MIFFLINBURG FARM SUPPLY, INC.
 East Chestnut St., Mifflinburg, PA 17844
 Phone: (717) 966-3114

STEP UP TO THE ALL NEW HYDRAULIC MILL



Now Mix All's™ are even better! New hydraulic design means less maintenance easier operation. The 100 bushel Mix All unloads in just 3 1/2 minutes. Power bale feeding on the 135 bushel model handles 4 1/2 bales a minute! And the hydraulic discharge conveyor with extensions reaches tanks up to 18' high. See these hydraulic Mix-Alls now!

> ATTENTION FARMERS <
 You can have all the features of a Gehl hydraulic mill for the price of a competitive brand mechanical mill.
THAT'S VALUE!!

USED EQUIPMENT

TRACTORS

Case 430 D
 Case 530 D
 Case 830 D
 Case 1070 D
 Case 1370 C-A-H
 Ford 5000 G
 IH 660 D
 IH 1066 Hydro
 MF 2135 Turf
 JD A
 AC 160 D
 AC 7040 C-A-H
 AC 7080 C-A-H

MISCELLANEOUS

Howard 80" rotovator
 J D bar rake
 Wetmore grinder
 IH 12' disk
 MF 3 bot plow
 Oliver 6 bot plow

LOADERS

Case 1737
 Case 1845 G
 Case 580 w/hoe
 Case 480 B
 Unloader Grapple
 Unloader Broom
 Ford 3400 G
 MF 30 D

FORAGE

Gehl 800 recutter
 Gehl 600 harvester
 Gehl 610 box
 Gehl 910 box
 Gehl 87 blower
 J D 65 blower
 N H 1880 SP
 Grove box
 IH #51 box

NEW IDEA

Manure Spreaders
 212, 213, 214, 224
 272 cut-ditchers
 #7 corn picker
 323 pickers
 325/314 picker sheller
 404 wheel rake
 254 trail mower

UNI-SYSTEM

701 Power Unit
 702G w/combine
 729 A sheller
 767 harvester
 762 row crop
 760 hay picker
 710 combine
 743 N corn head

SALES & SERVICE

A.L. HERR & BRO.

PARK AVE., QUARRYVILLE, PA.
 Phone: 717-786-3521



FARM EQUIPMENT

For Sale - Two billion packer seeders, Both 10' one w/transport wheels Oliver 2 bottom radex 12 & 14" trailer plows NH 55 rake NI 752 crusher JD KBA disc - 20, 24 & 28, available w/transport 717 687-6553

For Sale - 8'5" chrome pipe with elbow, \$80, real good shape 215 445 4280

FARM EQUIPMENT

880 New Holland harvester with grass & corn head Purchased new, used 3 yrs to harvest 200 acres of hay & corn Excellent new condition Sch County 717-943-2401

For Sale - David Brown 990 diesel with loader, 1800 hrs, original tires 45% rubber 215 445-4280

FARM EQUIPMENT

Traveling sprinkler with Nelson Big-Gum (Irrigate 10 acres in one setting), air purge hose reel, Hale pump OCD with Chrysler Industrial 235, 1200 feet Tico 5 inch aluminum pipe with fittings, 660 feet 4 inch hose and an Aqua Probe, complete system total price \$9800 Ph 717 589-3280

FARM EQUIPMENT

Wanted. Cab to fit JD 4010 or JD 4020 Call evenings 609-298-1758
 JD 620, PS, live PTO 814 793-4293

For Sale - 702 diesel NI Uni-System with silage cutter with 2 heads, corn picker & combine with 2 heads, 1972 model Call after 6 P M 703-592-3379

COMBINES 1976 JD 6600 D w/grain & choice of corn heads, 1975 Int. 715 diesel C.A. 23" tires w/grain and corn.

Gleaner #2 diesel, cab, air, grain saver, used 300 hrs. w/grain and 430 corn head. Gleaner G diesel w/cab and grain. 76 Int. 715 diesel w/844 corn head and 810 grain head. Int. 715 gas w/844 corn and 810 grain head. 1973 John Deere 6600 diesel w/2 heads (clean), JD 4400D w/air & both heads, MM 4296 w/grain & 4 (SOLD) row wide, Oliver 25 w/cab.

MF 760 diesel hydra with grain and 6 row corn head. MF 300 combine w/cab and grain, Int. 82 Pull Type (clean). Gleaner F w/2 heads. Late model Int. 303 w/cab & 2 heads.

JD 7700 D w/grain & corn head, Int 101 w/10 ft. grain, real good. Gleaner K w/cab, 10 ft. grain, K240 corn head Gleaner K330 corn head, MF 510D Quick Tach w/both heads.

Corn Heads JD 643, 444, real nice JD 443, 343, 344, 244, 435N for 95, 335, and 313 for 55C, 435, 434, 334, 235, 234, Massey Ferguson 44, 63, 43, 24, 222, 422, Gleaner G435 L438, 430, F440, F438, A430, E240, K238, F335, F330, K330 Int. Int. 863, 844, 843, Int 863 six row for 32" rows. 744, 743, 227, NI 4-row 40" heads, Case 3 row 30", Case 4 row 40", 50 corn heads to pick from on our lot. M 430 Gleaner, Int. 6 row 30" for 503, new JD 444 corn heads, NH 4 row 38" C.H. New MF 44 C.H. for \$6375.00. (Skid Loaders) Bobcat 720 & 700 Hydro.

CORN PICKERS - (new) N.I. 324 w/12 roll bed; New New Idea 325 w/12 roll bed, Used (3) N.I. 324 w/12 roll bed, NI 325 N w/12 roll bed (325 N w/sheller), used 323 one row, NI 311 two row pull, NI 3 row 30" picker w/super sheller, New Idea shellers and Super shellers, N.I. 2 row 30" picker w/grinder. JD 300 Husker w/244 corn head. Int. 234 w/12 roll bed. Used 325N 2 row w/12 roll bed.

John Deere 8630-4 Wh. Drive w/3 pt. PTO & Dual Wheels, real nice, also AC #2600 - 28 ft. Hyd. wing disk, like new, J.D. 220 hyd. fold wing disk; 1972 JD 4020 w/dual hyd. JD 2520 D real nice. Farmall 966 original, Farmall 656 gas WF 3 pt.

JD 4630 C.A. Power shift w/front wheel drive (real clean), New JD 4840, (Tractors w/Loaders) JD 2020D w/145 loader like new, JD 4020 w/58 Loader, JD 3010D w/46 loader. Int. 544 utility D w/2250 Mount-O-Matic Loader, Int. 606 w/2000 L, Farmall 1206 w/cab, AC 185D w/300 hrs., like new: 1967 JD 4020D. power shift, D.L. dual hydraulics; AC D17 D, W.F.; Int. 606 Utility D; Ford 4000 Utility D; Ford 1800 Loader & Backhoe; New J.D. 11' mulch tiller, New JD 12' chisel plow

JD 4010 D, WF, Dual Hydr., 38" rubber; Case 930 CK w/5X Plow, JD 3010 gas. Just Received New J.D. 2940 w/front wheel drive, New JD 4040 QR and fenders, NEW JD 4240 4 post QR. New JD 4440 cab, air, power shift, New JD 4440 C.A., quad. JD 7520 four whl. drive with duals, JD 4000 diesel Used JD 4240 C, A, P.S., 4010 gas, JD 4430 C.A. QR, JD 3020 (2) side console, 4020 side console gas. JD 2030 w/Hi & Lo.

New White 2-105 w/cab; 1971 J.D. 4020 w/roll guard, cab, air, dual hyd. (real sharp), 1970 JD 4020 w/roll guard; JD 4320 w/cab, 2- JD 1970 4020 w/dual hyd., 1970 JD 4020 Power Shift & Dual Hyd., JD 2510 gas, Farmalls; 666 w/cab & air. Farmall 806 Diesel, JD 3010 Diesel. Farmall 350 w/P.S. & F.H.

Farmall - 1568 - V8 w/cab & air used 1000 hrs., Used 986 cab & air, used 686 w/cab & air IH 3588 - 2+2, like new, 1566 w/cab, 766 D; 1466 w/cab, 1026 Hydro w/roll-guard, Farmall 666 diesel, 686 hydro D w/rollguard, Farmall 544 WF, 544 utility.

Tractors & Eq. - Steiger Bearcat 4 whl. drive w/dual wheels and new motor in excell. cond., Gleaner E Combine w/cab, grain and corn head; Farmall 1206, nice 856 original. A.C. 210D, w/new 20-8-38 tires, Farmall 856 w/no TA \$6800, 460 Gas w/F.H.

J.D. 4320, Farmall 756 gas. Farmall 544 utility gas, 806 tri. diesel, 560, 856 w/front wheel drive, 1206 w/front wheel drive, Farmall Hi Crop-656 diesel, 756, 300.

HARVESTERS. New Holland 770 w/2 row, M.F. 260 w/2 row head, Fox Super 2000 w/2 row narrow & elec. sharpener. J.D. 38 Chopper w/2 row, Fox 1546 w/2 row 110W head NI 702

Uni gas w/chopper & corn head \$5,900.00. NH S717 - 1 row, NI 3 row, Fox 2 row 30", Fox 3 row 30", Int. 2 row 30" for 650.

JOHN DEERE Used JD 4030, 4520 w/triple Hydr., 5020 tractor puller, 1968 4020 power shift, JD 3020 gas w/cab; JD 4010D w/W.F. 630 w/3 pt., 60 w/p.s., 70 w/p.s.

Farmall (new) 1086 cab & air priced right. FARMALLS: 1978 1586 w/cab fully eq. w/duals, used 400 hrs. like new for \$26,500. 1566 black stripe w/cab; 966 black stripe w/roll guard, 1206, Farmall 656 Diesel & 656 gas 1466 w/cab, 766, 1456, 806, Farmall hydro 70 w/w.f. and 3 pt., 826 hydro D nice, Super M w/live hydraulic, M for \$975.00 H w/loaders, Case 930 CK standard diesel, real sharp. (SOLD)

CASE Used 1370 cab, air power shift w/1000 hrs. for \$16,900. New Case 2090 w/cab & air, P.S. 730, 970 w/P.S. 1170 w/cab, Oliver 1950T w/cab, 2050, 1800, 1855 w/20:8 tires real nice. 1650D., 1750D

MASSEY FERGUSON new 1105 w/cab, & 20:8-38 tires for \$19,500. MF 2805 used 600 hrs. 185 H.P. w/dual wheels priced at \$26,000.00. 1130D, M.F. 1085, nice, 135, Super 90D

ALLIS CHALMERS Used 7010 C.A.P.S., "7040 w/cab, power shift like new \$19,500, 220 (SOLD) w/cab, 220, 210, AC 180D, MMS670 diesel

COMBINES - JD 7700 Diesel w/Fire Damaged cab. MF 510 D w/fire damage, Gleaner CII diesel w/4 row corn head, NI 702D w/rebuilt engine. 702, NI Super chopper, new 3 row 30" corn head, N.I. Demo 768 WN 3 row head, N.I. 702 Uni tractors w/combines & shellers, 729 A and 729 Uni shellers w-3 & 4 row 30" and 40" heads. Used JD 13 to 15 ft. grain heads, used M.F. grain heads. (New) J.D. 215 grain head, New & used J.D. 213 flex heads.

Hay Equip. Specials. BALERS - NH 320 w/thrower like new, Used 277 w/thrower, JD 346 Baler w/thrower.

New Haybines at Discount Prices. - New Gehl 1090 for \$4450.00 New Hesston 1010 Hydro swing \$4850.00, NI 279 Cut/ditcher used on 40 acres for \$2750. (New) NI 299 Haybine for \$4250.00. New JD 1207 for \$3675. Used NH. 479(SOLD), NH 469, JD 640 rake..

IND. EQUIPMENT - Int. 510 4 whl. drive payloader used 500 hrs. like new. Case 530 C.K. diesel L & B, Case 480B loader and backhoe, JD 440 loader & backhoe, JD 450 Crawler L & Backhoe Int. 3500 L & B Case 580 L & B, D8 Cat w/blade, Cat 955K crawler loader.

CORN PLANTERS - (Just Rec) New JD 6 row & 4 row conservation planters, New & Used 7000 JD 4 row w/Inst. Used JD 7000 6 row liquid w/inset., monitor and no-till atch.

New Int. 400 - 4 row air planter for \$3250, New JD 8300 double disk grain drill, new Case 6 row 3 pt. hydr. fold field cult., 2 - J.D. #360 12 ft. offset disks, Wheelback 12 ft. offset disk JD RWA disks.

Ontario 16 disc w/grass seed White 5x18 auto reset plows; J.D. and Int., & Oliver 4,5,6,7 trip and resets. New Glencoe SS7 shank Soil Saver \$4595. or with culti-lift harrow complete for \$4950, JD 210 Disc, Case 4x18 auto reset plow used 20 acres (Bush Hog 12 ft. Discs, new); Brillhon & J.D. 13 ft. cultmulcher w/inside wheels, White 3 pt. 10 ft. Chisel Plows, (SOLD) Pittsburg 12 ft., NH 346 Tank Spreader. New White 14 ft. field cult., Kawanee 22 ft. wing disk. Four row stalk shredders.

LOADERS - Int. 2350 JD 58, MF loader for 1105, JD 46A loader, Int. Fast hitch 3 pt. adapters, 3 pt. hitch for 630 and 730 JD tractor.

Used yr. round cabs for JD 4020, 3020, etc.

TRUCKS - New 1980 Silverado Chevy diesel w/every option on, 1971 Ford 3/4 ton pickup \$975.00, 1976 Chev C65 w/5500 miles w/14 ft. flat, like new; 1977 Delta 44 ft. Combine trailer, (New) NH Direct cut head for 770. (New) Kill Bros. gravity bins. New Kill Bros. 8 ton running gears. Pick up heads for Int. 550, 650, 350, Fox pickup head, Direct cut head JD 3800 & 38. JD 3 row narrow silage head. (10) sets of dual wheels all sizes.

JD front & rear weights, IH front and rear weights.

For your needs call:

STITZEL FARM EQ. INC.
 East Windsor St. & Krick Lane
 Hamburg, Pa.
 15528
 Phone bus. 215-562-8377
 home 215-562-7451