



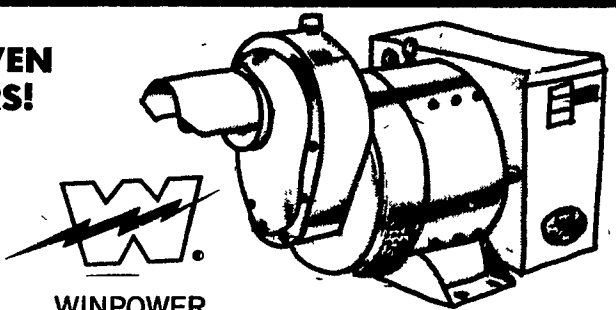
Stallion on Weber Tennessee Walker breeding farm, near Reinholds, is named Senator's Thunder and stands almost 16 hands high.



Tennessee Walking Horse mare and foal stand with Lester Weber, owner of breeding farm in northern Lancaster County.

TRACTOR DRIVEN ALTERNATORS!

Protect your farm against costly power failure. Buy or lease a Winpower Alternator. PHONE OR WRITE



Please send me additional information

Name _____

Address _____

City _____ Zip _____

Phone _____

WINPOWER CORPORATION
Distributed by

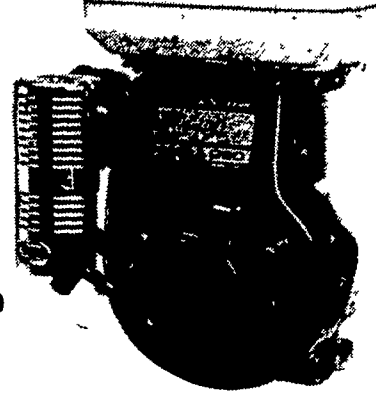
JAY RICHWINE
528 Hogestown Rd
Mechanicsburg, PA 17236
717 766 4382

JOHN BREED
P O Box 266
Washington, PA 15301
717-569-5336
814-943-0628
412-831-0243

GENERAL PURPOSE ENGINE

- Easy Starting System provides easy operation
- Rugged design for long life
- Available in many variations for a wide range of applications
- Muffler heat shield plus click-type stop switch
- Quiet engine

10 h.p. Honda - \$400 • 3½ h.p. - \$190
• 5 h.p. - \$240 • 7½ h.p. - \$320



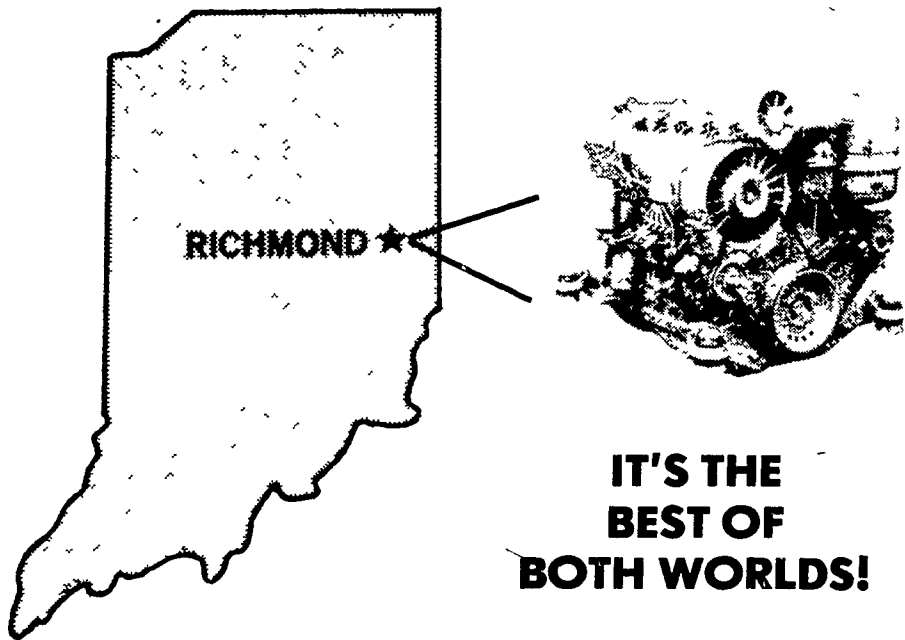
AMOS L. STOLTZFUS

SAW SHOP
Poulan Sales & Service
Chains for all models
and Sharpening
67 Hensel Road,
R1 Kinzers, Pa. 17535

Small Engine Repair Service

AMOS E. BEILER
Box 35 Kinzer, PA 17535
Honda Engines
SALES & SERVICE

DEUTZ DIESELS FROM INDIANA?



IT'S THE BEST OF BOTH WORLDS!

Deutz customers know from experience that Deutz diesels are a creation of German engineering and production craftsmanship. All those happy Deutz users will be even happier to learn that — NOW DEUTZ DIESELS ARE MADE IN USA - at an engine plant Deutz purchased in Richmond, Indiana

Domestic production in the 20-160 hp range gives us and our Deutz customers a tremendous advantage over all other air-cooled diesels.

Invest in a sure thing - Deutz diesels have been famous for fuel economy and reliability since Amos Stauffer first sold Deutz diesels in this area - 25 years ago. We are equally famous for superb Deutz service.

Don't just buy a "bargain" diesel which is supposed to be "built like a Deutz". BUY A DEUTZ AND BE SURE YOU HAVE MADE A GOOD INVESTMENT. A Deutz diesel will usually recover the difference in price thru fuel savings alone within one year.

CALL OR VISIT THE STAUFFER BROTHERS AT:

Stauffer Diesel Inc.

312 W. MAIN ST., NEW HOLLAND, PA. 717-354-4181

OR ONE OF OUR AUTHORIZED DEALERS:

- Holtry's Welding & Repair - Roxbury, Pa. 17251 (717) 532-7261
- Peights Gas Refrigeration - Box 20, Belleville, Pa 17005 (717) 935-2223
- Smuckers Sales & Service - RD #2, Box 21, New Holland, Pa 17557 (717) 354-4158
- Milt's Sales & Service - RD #1 Friendship School Rd., Mechanicsville, Maryland 20659 (301) 373-5904

DEUTZ FORMULA DX... THE NEW POWER IN THE COUNTRY.



Four exciting models: Turbocharged DX 160 and 145, rated 140 and 131 PTO hp. DX 110, rated 100 PTO hp. DX 90, rated 84 PTO hp.

- Two-wheel drive or four-wheel drive.
- World-famous Deutz air-cooled diesel engine. Less trouble than water-cooled engines.
- Rugged power train with optional front wheel drive.
- New, rugged heavy-duty synchronized transmission
- MASTERCAB with Multi-Fit seat, anti-slip steps, easy entry, uncluttered cab
- New disc brakes
- Responsive Deutz TRANSFERMATIC hydraulics

Stop in and check out the new Deutz Formula DX. See why Deutz is the new power in the country



Stauffer Diesel Inc.

312 W. MAIN STREET, NEW HOLLAND, PA 717-354-4181