

Who farms

(Continued from Page B5)

Leonard, this is only a part-time job, and one that he has been involved in only since 1972.

Leonard is a commercial airline pilot for United Air Lines, and he has been flying over our nation's farmland for the past twenty years. Prior to his becoming a professional pilot, Leonard was in the Air Force for an eight-year tour.

"I always wanted to live in the country. I was looking for about 100 acres and my wife, Jane, was looking for about 40 acres - we com-

promised and bought 300 acres," said Leonard.

Leonard said he always felt that growing up on a farm is the best way to raise kids. His own children, Lee and Cindy, were 10 and 9 years old respectively when the Leonards moved to the Black Horse Tavern. The house, parts of which date back to the mid-1700's, was used as a Confederate hospital during the Civil War.

Neither Jane's parents nor Bill's parents were farmers. "Our parents were city

folks," Leonard draws. "Oh year, there were some aunts and uncles who had farms."

Leonard confesses that when he and Jane first moved to their farm a few miles west of Gettysburg, they knew nothing about farming.

Somewhat embarrassed, Leonard recalls the first time he tried to start his John Deere B tractor.

"I was so bad, I didn't know how to start the darn thing - I kept looking for the ignition key. Finally we called the neighbor and he showed us the right combination."

Leonard said he cannot give enough credit to the help he has gotten from his friends and neighbors.

(Turn to Page B7)



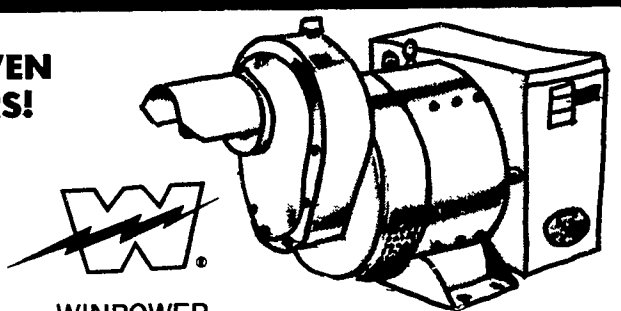
Ike's friend, Alton Jones, purchased two farms adjacent to the Eisenhowers' 189 acre farm. Together the two friends embarked in the purebred Angus business on their combined 495 acres. Bill Leonard studies the barns which housed the Eisenhower Angus and looks for the time when the show barn will once again house top show cattle.



Visitors to the Eisenhower National Historic Site hop aboard the shuttle bus after strolling around the farm, heading back to the National Park's main center in Gettysburg.

TRACTOR DRIVEN ALTERNATORS!

Protect your farm against costly power failure. Buy or lease a Winpower Alternator. PHONE OR WRITE



WINPOWER CORPORATION
Distributed by

JOHN BREED

P O Box 266
Washington, PA
15301

717-569-5336
814-943-0628
412-831-0243

JAY RICHWINE

528 Hogestown Rd
Mechanicsburg PA 17236
717 766-4382

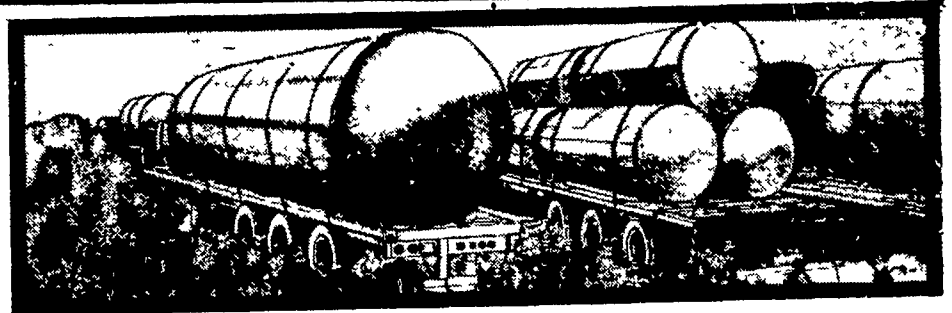
Please send me additional information

Name _____

Address _____

City _____ Zip _____

Phone _____



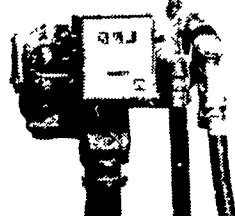
NEW UNDERGROUND STEEL FUEL STORAGE TANKS

Capacity	Dia.	Gauge	Price	Capacity	Dia.	Gauge	Price
285	36"	12	110	4000	64"	7	950
550	48"	10	205	10,000	96"	1/4"	2495
550	48"	7	250	10,000	120"	1/4"	2250
1000	48"	10	300	15,000	126"	5/16"	3825
1000	48"	7	370	20,000	126"	5/16"	4790
2000	64"	7	570	30,000	126"	3/8"	8390

FILL-RITE



Model 112
ROTARY
HAND PUMP
\$75*



Model NP-701
ELECTRIC PUMP
\$315*

Model
786-5
DIAPHRAM
HAND
PUMP
\$70*



* Additional \$25 off when purchased with a tank

PRICES FOB QUARRYVILLE

HOWARD E. GROFF CO.

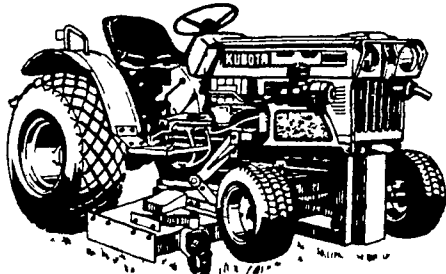
Fuel Oil, Gasoline, and Coal
111 E. State Street, Quarryville, PA 17566
Phone: 717-786-2166

4-wheel drive KUBOTA DIESEL POWER

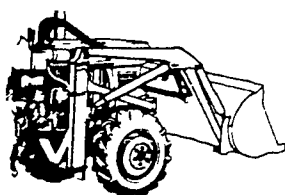
The Popular Mid-Size Tractor

IDEAL FOR

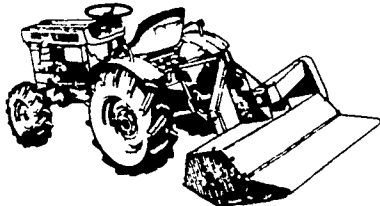
- Lawn Maintenance
- Gardening
- Snow Removal
- Small Farming



GOOD
SELECTION
70
IN STOCK



- *12 To 55 Horsepower
- *Diesel Water Cooled
- *Std Cat 'I' 3 Pt Hitch
- *Std P T O
- *Live Hyd Lift
- *Diff Lock
- *Ind Brakes
- *Full Range of Implements
- *2 & 4 Wheel Drive



KELLER BROS. TRACTOR CO.

1 MILE WEST OF SCHAEFFERTOWN
BUFFALO SPRINGS, PA. PHONE 717-949-6501