

State 4-H

(Continued from Page C19)
Area High School and a member of the Science Park 4-H Club.

Cumberland County



**Cindy Otto
Bicycle**

Cindy Otto, 18, Carlisle R8, was named state bicycle contest winner.

The daughter of Mr. and Mrs. Robert F. Otto, she is a 1980 high school graduate. She has been a 4-H member for nine years.

A member of six Cumberland County 4-H Clubs, she served as president, vice president, and was president of the Cumberland County 4-H Council. She also assisted with club activities and events as a teen leader.

The state bicycle contest winner completed projects in bicycling, horse, veterinary science, swine, beef, clothing, gardening, forestry, teen leadership, photography, and health.

Locally, she took part in the 4-H exchange program, achievement banquet, roundup, fair, demonstration program, day camp, breed show, and tours.

Cindy also participated in the Regional 4-H Demonstration Day, District 4-H Horse Show, Regional 4-H Teen Leaders Retreat, District 4-H Camp, State 4-H Achievement Days, State 4-H Horse Show, State 4-H Capital Days, National 4-H Horse Judging Contest, and Pennsylvania 4-H Leadership Congress.

She was recipient of the Senator George N. Wade Memorial Trophy Award.

Commenting on the values of the educational youth program, Cindy said: "It

has helped me in communicating with others and talking in front of a large group of people."

Dauphin County



**Tina Taylor
Leadership**

Dauphin County Tina Taylor, 19, Elizabethtown R2, was named state leadership contest winner.

The daughter of Mr. and Mrs. Harry Taylor, she is a sales counselor. She has been a 4-H member for 11 years.

A member of the Dauphin County 4-H Sheep Club, she served as president, vice president, secretary, treasurer, news reporter, and social chairman. She also assisted with club ac-

tivities and events as a teen leader.

The state leadership contest winner completed projects in sheep, archery, babysitting, pet care, photography, gardening, teen leadership, and crafts.

Locally, she took part in the 4-H roundup, achievement night, leaders banquet, county council, exchange program, officers training, square dancing and junior olympics.

Tina also participated in the Regional 4-H Demonstration Day, Regional 4-H Teen Leaders Retreat, District 4-H Camp, State 4-H Capital Days, Pennsylvania 4-H Leadership Congress, Farm Show, State 4-H Achievement Days, and Citizenship Short Course. She was recipient of the Outstanding 4-H Girl Award and "I Dare You" Danforth Award.

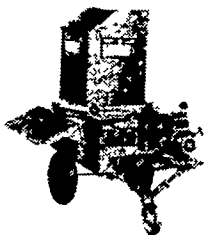
Commenting on the values of the educational youth program, Tina said: "4-H has helped me to better understand and get along with all types of people. It also helped me to determine what career I wish to choose."

Fayette County

Sherre Beal, R2 Hopwood who was named state dog

(Turn to Page C22)

WIC BEDDING-CHOPPER



★ CUT YOUR BEDDING TIME IN HALF!

SAVE 25% ON BEDDING

★ Will Chop up To 60 Bales Per Hour

★ Available With Battery or Gasoline Engine

CREUTZBURG, INC.

Livestock Supplies

Phone 717-768-7181

Open Daily - 8 to 5; Saturday 8 to 12

★ PRODUCTS ARE AVAILABLE BY MAIL

Send For FREE CATALOG: CREUTZBURG, INC.
Lincoln Highway East, Box 7
Paradise, PA 17562

NAME

STREET

CITY

STATE..... ZIP.....

METAL STANDING SEAM ROOFING

FOR: FARM BUILDINGS, SHEDS, HOUSES,
INDUSTRIAL & COMMERCIAL BUILDINGS

PRACTICAL and ECONOMICAL

OUR PROCESS USES:

- CONTINUOUS PAN FORMER
- CONCEALED FASTENERS - Metal nailing clips are an internal part of the seam, thus eliminating any exposed nailing.



MODERN EQUIPMENT HAS
REDUCED COSTLY HAND LABOR!

AUTOMATIC SEAMER
forms a water-tight,
double lock seam

CALL FOR FREE ESTIMATES - 717-354-4114



L.M. MARTIN, INC.

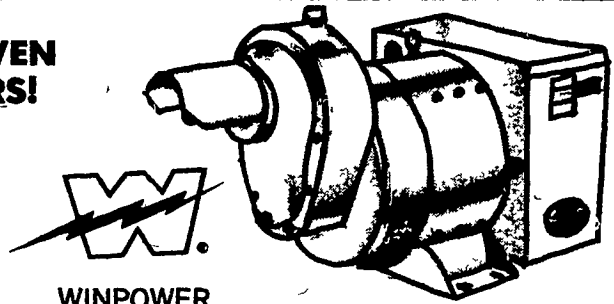
R.D. 3 Ephrata, PA 17522

Rt. 322 in Hinkletown

- ROOFING • SIDING • SEAMLESS SPOUTING
- VENTILATORS

TRACTOR DRIVEN ALTERNATORS!

Protect your farm against costly power failure. Buy or lease a Winpower Alternator.
PHONE OR WRITE



WINPOWER CORPORATION

Distributed by:

JAY RICHWINE

528 Hogestown Rd
Mechanicsburg, PA 17236
717-766-4382

JOHN BREED

P.O. Box 266
Washington, PA
15301
717-569-5336
814-943-0628
412-831-0243



KEYSTONE GUN-KRETE



CONCRETE SPRAYING SERVICE

REPAIRS OF:
Silos, Retaining Walls,
Manure Pits, Existing
Masonry Walls.

CONSTRUCTION OF:
Manure Pits,
Swimming Pools,
Etc.

For Information Call:

KEYSTONE GUN-KRETE


644 Beaver Valley Pike Call Mahlon Stoltzius — 717-768-3641
Lancaster, PA 17602 or Herb Groff — 717-464-2147

— ATTENTION NEIGHBORS —


GOOD'S FEED MILL OFFERS:

- **GOOD QUALITY FEEDS**
We handle Pennfield Feeds with many years of experience and research.
- **GOOD MANAGEMENT ASSISTANCE**
Richard Ibach, our route salesman, has over 20 years of experience to help you formulate feeds and help improve management practices.
- **GOOD DELIVERY SERVICE**
We have a fleet of five trucks to serve you with large or small deliveries.

WHEN YOU BUY FROM ELMER M. SHREINER, YOU BUY FROM A GOOD NEIGHBOR IN BUSINESS OVER 20 YEARS WHO VALUES HONEST FRIENDSHIP MORE THAN MONEY.



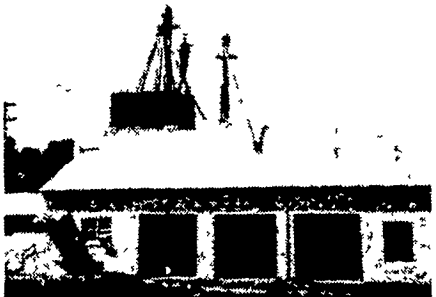
Route Salesman Richard Ibach, left, with owner Elmer M. Shreiner, right



Roy Boll, right, discusses feed management with Richard Ibach.

Stop at **GOOD'S FEED MILL** and meet Elmer M. Shreiner or call 786-2500 and speak to Ray Boll with over 10 years experience in feed and farm supplies Sales and Management.

GOOD'S have years of experience to help you But we're small enough to understand your situation and meet your needs.



ELMER M. SHREINER
T/A GOODS FEED MILL
R.D. 1, New Providence, PA
PH: 717-786-2500

"24 YEARS OF OUTSTANDING SERVICE"