

Junior Cooking Edition

(Continued from Page C11)

SUGARLESS CANDY

2 tablespoons butter
 3/4 cup peanut butter
 1/2 cup honey
 2 cups dry milk
 2 tablespoons carob
 unsweetened coconut or nuts

Melt the butter and add the remaining ingredients. The coconut or nuts may either be added to the mix, or after the mix is shaped into balls, the balls may be rolled in the coconut, etc. If the mix is too runny, more dry milk powder may be used.

Arlene Zeiset, Narvon

RAGGED ROBINS

1/2 cup sugar
 2 eggs
 1 teaspoon vanilla
 1 cup chopped walnuts
 1 cup chopped dates
 2 cups cornflakes

Beat the eggs until lemon colored. Gradually add sugar and vanilla and continue to beat until well blended. Add chopped nuts and dates. Fold the corn flakes into the mixture. Shape into 1 inch diameter balls and place 2 inches apart on the greased baking sheet. Bake at 350° F. for 10-15 minutes. Makes 4 dozen cookies.

Arlene Zeiset, Narvon

DOUBLE CHOCOLATE CRUMBLE BARS

1/2 cup butter
 3/4 cup sugar
 2 eggs
 1 teaspoon vanilla
 3/4 cup flour
 1 tablespoon cocoa
 2 cups tiny marshmallows
 1 cup chocolate chips
 1 cup peanut butter
 1 1/2 cups crisp rice cereal
 1/4 teaspoon baking powder
 1/2 cup chopped nuts

Cream butter and sugar. Beat in eggs and vanilla. Stir together flour, chopped nuts, cocoa, baking powder, 1/2 teaspoon salt and stir into egg mixture. Spread in bottom of greased 13x9x2-inch baking pan. Bake in 350 degree oven for 15 to 20 minutes or until bars test done. Sprinkle marshmallows evenly atop. Bake three minutes more. Cool.

In small saucepan, combine chocolate chips and peanut butter, cook and stir over low heat until chocolate chips are melted. Stir in cereal. Spread mixture atop cooled bars. Chill, but in bars, refrigerate, Makes 3-4 dozen.

Janet Horst, Age 16, Waynesboro

USDA to end beekeeper indemnity

WASHINGTON, D.C. — The U.S. Department of Agriculture's beekeeper indemnity payment program will be terminated October 9, according to Ray Fitzgerald, administrator of USDA's Agricultural Stabilization and Conservation Service.

"We are taking this action because of the limited scope of the program and its lower budgetary priority contributing to its relative ineffectiveness," Fitzgerald said.

The program—which had been in effect since June 1971—provided for federal indemnity payments to beekeepers whose bees were killed by insecticides approved for use by the government.

Announcement of the proposal to terminate the program was made on April 4. Interested parties had until June 12 to submit comments.

Notice of termination appeared in the September 9 Federal Register.

COMPLETE GLASS SERVICE FOR THE FARM

- * On The Farm Replacement Of Glass in Equipment
- * Safety Glass
- * Jalousie Glass — Jalousie Storm Windows
- * Storm Windows & Doors
- * Insulated Glass

GIVE US THE BREAKS —
EVERYTHING IN GLASS

Sales & Service



S&M

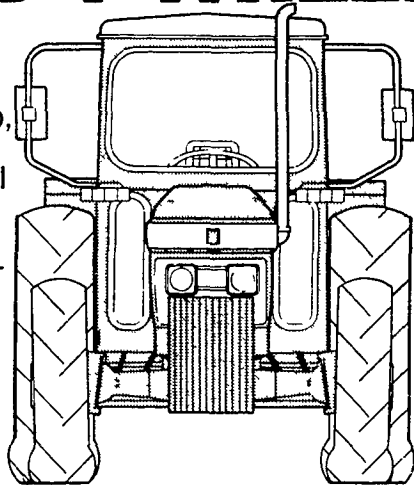
Solanco Glass & Mirror Co.
 23 Bank Ave., Quarryville, PA
 717-786-7118



CLAW YOUR WAY AHEAD WITH LEYLAND 4-WHEEL DRIVE!

Fight your way out of the tough spots.

On slopes. In mud. Your Leyland bares its claws to grip, grab and pull the ground toward you. Sure-footed, 4-wheel drive means better traction than 2-wheel. Better fuel efficiency. And better productivity. With a vengeance! Because your Leyland can out-work, out-perform and out-claw larger 2-wheel units! Tame a Lion-Hearted Leyland of your own. More work power for less. The power of a fuel grasping, wet-sleeve, long-stroke diesel that's king of the forest—and the farm—worldwide.



Big-cat-quick reflexes.

The 9-forward, 3-reverse speed synchro shuttle gearbox lets you change speeds s-m-o-o-t-h on the move! Shift from forward to reverse non-stop! Great for chores with lots of back-and-forth shuttling.

The Pride.

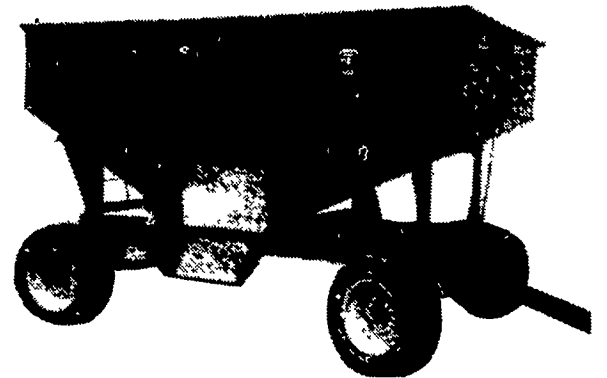
See all the Lion-Hearted Leylands at your dealer today: 35 hp, 45 hp, 2-wheel drive; 62, 72 and 82 hp, 2 and 4-wheel drive models. Leyland—the cat on the prowl!

 **Leyland Tractors.**
The Lion-Hearted.

Leyland Tractors NorthEast • 6700 Allentown Boulevard • Harrisburg, Pa 17112 • 717/545-6400

THE "EASY HANDLER" By FARMER BOY PRODUCTS

RD 1, Box 1270, Lebanon, PA 17042
 717-272-5089



165 BUSHEL GRAVITY UNLOADING BED

Farmer Boy gives you big value in an easy-handling hauler designed to make efficient work of all harvest and material handling jobs. It is especially suited for the average farm terrain, where a larger wagon can bog down or is not practical for small or just average loads. It will get in and out from very difficult ground much more quickly. It pulls easily, making towing more than one wagon practical — and it is priced right, to support a reasonable time-saving investment in multi-wagon operating efficiency.

CONTACT ANY OF THESE DEALERS

EDGAR DICKENSHEETS
 New Windsor, Md.
 PH: 301-775-2909

EDWARDS FARM
 MACHINERY
 Nazareth, Pa.
 PH: 215-759-2040

HISTAND FARM
 & HOME SUPPLY
 Rome, Pa.
 PH: 717-744-2371

KAUFFMANS
 FARM SUPPLY
 Mt. Pleasant Mills, Pa.
 PH: 717-539-4571

LONGENECKER
 FARM SUPPLY
 Rheems, Pa.
 PH: 717-367-3590

MILLER REPAIR
 Bird-In-Hand, Pa.
 PH: 717-656-9013

SOMERSET
 FARM SUPPLY
 Somerset, Pa.
 PH: 814-443-2841

STRALEY FORD
 Dover, Pa.
 PH: 717-292-2631

WM. SYSTEMA
 Sussex, N.J.
 PH: 201-875-5449

SWOPE & BASHORE
 Frystown, Pa.
 PH: 717-933-4138

WENGERS FARM MACH.,
 INC.

Myerstown, Pa.
 PH: 717-866-2135

ZIMMERMAN FARM
 SERVICE
 Bethel, Pa.
 PH: 717-933-4114

Dealer Inquiries Invited