



Dawn Meyers and Senior Yearling "Brush Creek D. Diana" winner of the Reserve Grand Championship, Brown Swiss Show.

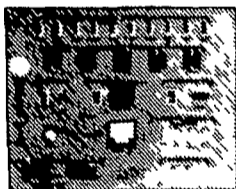
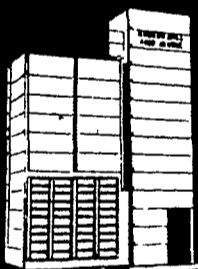
Dairy Show

(Turn to Page D7)

(Continued from Page D5)



Lela Mummert with "Yellow Buttercup Marvey Maggie" Junior Reserve Champion.



GET THE FACTS

- Wall Mounted Panel
- New Ingredient Counters
- Complete Safety System
- Wide Choice of Horse Power
- Increased Capacities

Get the facts you need TODAY!
Send for more information
on what The BIG RED SERIES 50
can do for you



MODERN MILL, INC.
Automatic Feed Mills
P.O. Box 317 Bluffton, In 46714
Telephone 219 824-3200

YES I NEED THE FACTS!

Name _____

Address _____

State _____ Zip _____

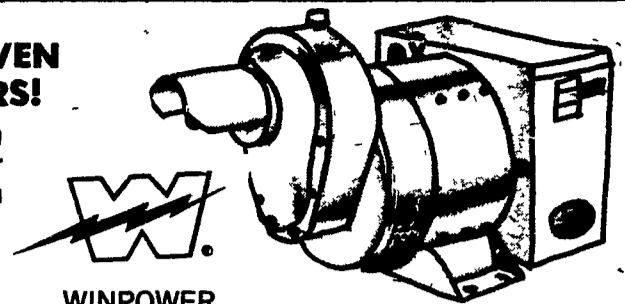
Phone: Area (____) _____

Authorized Distributor

HADE'S EQUIPMENT
(Glenn Hade) 10355 Five Forks Rd.
Waynesboro, PA 17268 Ph. (717) 762-4985

TRACTOR DRIVEN ALTERNATORS!

Protect your farm against costly power failure. Buy or lease a Winpower Alternator.
PHONE OR WRITE



WINPOWER CORPORATION
Distributed by:

JOHN BREED

P.O. Box 266
Washington, PA 15301
717-569-5336
814-943-0628
412-831-0243

JAY RICHWINE

528 Hogestown Rd
Mechanicsburg, PA 17236
717-766-4382

Please send me additional information

Name _____

Address _____

City _____ Zip _____

Phone _____

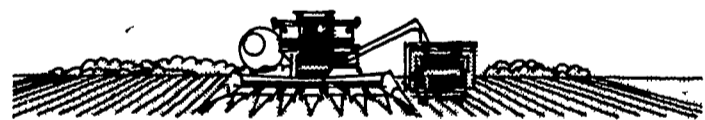


The pro's choice for productivity.

Increased capacities of F2/K2 Gleaner combines add up to more productivity. Larger separation area and greater shoe capacity mean extra productivity in various field conditions. While larger grain bin capacities (120 bushels on the F2 with bin extensions, 96 bushels with extensions on the K2) reduce the number of unloading stops. You can even choose the optional hydraulic swivel unloader tube to speed-up unloading time. Come in. See why Gleaner combines are the pro's choice for productivity. *Gleaner is a registered Allis-Chalmers trademark.*

28 78

The Rising Power in Farming
ALLIS-CHALMERS



ROY H. BUCH, INC.
Ephrata, RD 2, PA
717-859-2441

WERTZ GARAGE
Lineboro, MD
301-374-2672

BEN H. WALTER
R.D. 1, Beavertown, PA
717-658-7024

AGRONOMICS INC.
Box 64, R.D. 2
Factoryville, PA
717-945-3933

PAUL DOTTERER FARM EQUIPMENT
R.D. 2, Mill Hall, PA
717-726-3471

NICHOLS FARM EQUIPMENT
R.D. 1, Bloomsburg, PA
717-784-7731

MARSHALL MACHINERY
R.D. 4, Honesdale, PA
717-729-7117

MECKLEY'S LIMESTONE PRODUCTS INC.
R.D. 1, Herndon, PA
717-758-3915

C. J. WONSIDLER BROS.
Rt. 309 & 100
R2 New Tripoli, PA
215-767-7611

B. EQUIP., INC.
9422 Wayne Hwy
Waynesboro, PA
717-762-3193

GRUMELLI FARM SERVICE
Quarryville, PA
717-786-7318

BHM FARM EQUIPMENT, INC.
Annville, RD1, PA
717-867-2211

C. J. WONSIDLER BROS.
RD 1, Quakertown, PA
215-536-1935
215-536-7523

L. H. BRUBAKER, INC.
Lancaster, PA
717-397-5179

PETERMAN FARM EQUIPMENT, INC.
225 York Road
Carlisle, PA
717-249-5338

SHARTLESVILLE FARM SERVICE
Shartlesville, PA
215-488-1025
H. Daniel Wenger, Prop.

AG - INDUSTRIAL EQUIPMENT
R2, Rising Sun, MD
301-658-5568

AIRVILLE FARM SERVICE
Hwy. 74, Airville, PA
717-862-3358

A. J. NOSS & SON, INC.
RD2, Oley, PA
215-987-6257

CANYON IMPLEMENTS, INC.
RD1, Mansfield, PA
717-724-2731