

FOR SALE

O Frick sawmill, 3 air dogs automatic set works, Edmunson hyd feed, hyd chain log turner, Rimco vertical edger, Cornell automatic slab saw, 20' Mellot 3 strand hyd log deck, 20' elec green chain, 40' off bearer belt, Detroit 671-N power unit, 5 hp air compressor, sawdust blower, mill can operate on single phase power, will sell or trade for late model shovel dozer, bull dozer or Holstein cows
703-721-2150, 721-2643

FARM EQUIPMENT

For Sale AC D17 tractor with belt pulley and WF excellent condition, AC 226 67 hp power unit with clutch or 4 1 clutch reduction, Fisher Engine Service, 3141 Old Phila Pike, Bird-in-Hand, PA 17505

JD 95 combine, cab, heater, 14' hyd hume reel, 4 row corn head, excellent condition, asking \$7300, 609 397-1516

JD 3 bottom 14' roll over plow 717 665 3295

FARM EQUIPMENT

Int Farmall 966 with rebuilt engine with approx 230 hrs, has new torque and clutch, duals, weights and paint's good, heat houser with cap, \$16,000/offer, must sell 201-236-6987

MF 44 corn head, 4 row wide good condition \$3000, JD 38 chopper, PU & 2 row wide corn head, \$2000, Northampton Co 215-837-0040

Small irrigation system, pump, sprinklers, 2" aluminum pipe, Charles Gogel, Rd 3, Phoenixville, PA 215-933 6291

FARM EQUIPMENT

NH 717 Harvester with 1 row corn head and hay pickup 717-393-4732

GLENCO SOIL SAVER

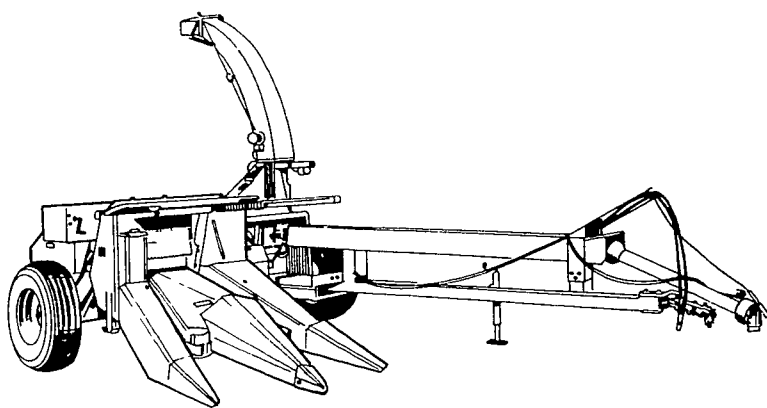
9 Shank with Soil Leveler
IH 490 DISC
20 1/2"

BRILLION PACKER

wing-fold 23'
201-329-2765

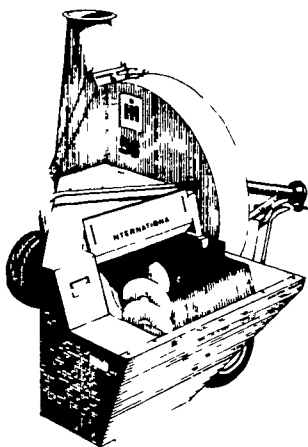
MESSICK FARM EQUIPMENT

A GREAT COMBINATION



IH 830 FORAGE HARVESTER

Get All-Crop Versatility Plus Electrically Controlled Feeding & Discharge



IH 56 BLOWER

New Slant For Silo Filling

WAIVER of FINANCE till APRIL 1, 1981

Big step up in high-performance, easy-handling field power

SAVE \$ \$ \$ on this IH 1486 TRACTOR

with Cab & Air, Perfect cond., Like New, 800 Hours.

★ Waiver of Finance Till Nov. 1, 1980



USED HARVESTING SPECIALS

- Fox 6350 Self Propelled 4 Wheel Drive Harvester, 260 Hours, 3 Row Corn Head & Pick-up Head, Ex. Cond.
- IH 650 Harvester
- IH 550 Harvester
- AC 780 Harvester
- Dion Silage Box w/roof and third beater
- JD 66 Blower
- IH 56 Blower

GOOD USED EQUIPMENT

- Used 1486 IH Tractor, cab & air, 800 hours, perfect condition
- IH 1066D, Real Nice
- IH 656 Hyd. Tractor
- AC Model B Tractor
- IH 37 Baler & Thrower
- Oliver Baler Model 520
- NH 275 Baler w/Thrower
- NH 276 Baler w/thrower
- NH 320 Baler w/Thrower, ex.
- NH 845 Round Baler w/Hyd. Tie
- NH 479 Haybine
- NH 1469 Self Propelled Haybine
- NH 469 Haybine
- IH 56 Blower
- IH 4 Row Fast Hitch Cultivator
- IH 370 12' Disc Harrow
- AC Model 780 Harvester w/2 Row & Pickup Attach & Direct Cut Head
- IH 650 Harvester 2 Row & Pickup
- JD 66 Blower
- NH 365 Tank Spreader
- NH 346 Tank Spreader
- NH 510 Spreader & Hyd. Gate
- NI Tandem Axle Spreader w/Hyd. End Gate, Ex. Cond.
- JD 6 Row Planter
- NH 357 Grinder Mixer, Excellent Condition
- NH 675 Spreader w/Gate
- NH 2 Row Snapper Head, Ex Cond.
- 12 Ft Drag Spring Harrow

★ YOUR FULL SERVICE DEALER ★

MESSICK FARM EQUIPMENT, INC.



RHEEMS EXIT - RT. 283
PHONE: 717-367-1319 — 653-8867
M. DALE HERR - HOME 665-2718

ELIZABETHTOWN, PA.
WARREN SPICKLER - HOME 653-4560



USED EQUIPMENT

TRACTORS

JD 520 Gas
Case 830 Gas
Oliver 1750
Oliver 77 Gas

HAYTOOLS

IHC 990 Mower Conditioner
NH 461 Haybine
NH 469 Haybine
NH 479 Haybine
NH 488 Haybine
NH 1469 Self Propelled Haybine
NH 68 Baler w/Thrower
NH 315 Baler w/Thrower
NH 30 Ft Elevator
Oliver 620 Baler w/Thrower
JD 24T Baler w/Thrower

CORN PICKERS

JD 227 Picker
NI 322 Mtd. with 12 Roll Bed

FORAGE TOOLS

NH 880 R2-2-Row Head
NH 707 Harvester w/1-Row
NH Super 717 w/1-Row & Pickup
NH 717 Harvester w/1-Row
NH 770 Harvester w/2 Row & Pickup
IHC 350 Harvester w/1-Row & Pickup
IHC 650 w/2-Row & Pickup
JD 15A Flail Chopper

SPREADERS

NI 213 Single Beater
NI 214 with Hyd End Gate
NH 365 Tank
NH 328

TILLAGE - PLANTING

Oliver 548 5-16 CT Semi-Mtd Plow
Oliver 365 CT 3-16 Mtd. Plow
White 5400 Planter
IHC 56 4-row Planter with Insecticide
IHC 56 2 Row Planter
Brillion 10' 2-Row Cultipacker
Oliver 64 Grain Drill

NEW EQUIPMENT IN STOCK

WHITE

2-30 4 Wheel Drive
2-35 Tractor
2-45 Tractor
2-62 Tractor
2-70 Tractor
2-85 Tractor
2-105 Tractor
2-135 Tractor

WHITE

543 6R Planter No Till
5100 4R No Till
5400 6R Planter No Till

WHITE

348 - CT & SAR Plow
508 SAR 4-B Plow

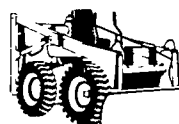
WHITE 251 10'4" disc
WHITE 254 10'4" disc
WHITE 256 12'6" disc
WHITE 458 Chisel Plow
WHITE 466 Chisel Plow
N.H. 310, 315 & 320 Balers
N.H. 256 - 258 Rakes
N.H. 707, 718, 782, 892 Harvesters
N.H. 8 Forage Box
N.H. Spreaders - 328, 513, 519, 679 & 800
Vicon 3 pt. Fert. Spreader
Moridge 275 Bu. Grain Dryer

DUNHAM -
BRILLION -
LAMCO -
BOBCAT -

NORMAN D. CLARK & SON

Honey Grove, PA 17035 - Phone 717-734-3682
Located 14 Miles South Port Royal on Rt. 75

DISTRIBUTOR OF
CENTRAL
TRACTOR
PARTS CO



SCHAEFFERSTOWN EQUIPMENT

SCHAEFFERSTOWN, PA

1/2 Mile N. of Schaefferstown on Rt. 419
Phone 717-949-6529

ALL MACHINES
REPAIRED AS
NEEDED —
CLEANED &
PAINTED.

WE BUY USED EQUIPMENT

BACKHOE LOADERS

Case 580B 1975 w/cab \$15,500
Case 580 Dsl \$8750
Cabot Hyd Excavator Det Dsl \$8500
1972 Ford Dsl, Clean \$8200
IH 3414 Diesel \$7000
JD 400 Dsl \$6850
JD 1010 Diesel w/hoe 3 pt & PTO \$6500
Case 530 Diesel, clean Overhauled \$6500
Ford \$5200
Ford \$3500

CRAWLER DOZERS

Cat 46A real clean \$45,000
(2) JD 350 6-way angle Blade ea \$9000
Cat D8 2U w/pa:n \$9000
Cat D7, Hyd. Blade \$7500
Cat D8 2U \$7500
Cat D6, hyd \$6500
Case 310 G 6-way angle 1968 Dsl \$5500
AC HD5 w/Angle Blade \$3850

CRAWLER LOADERS

AC HD 7G B w/cab & ripper, sharp \$17,500
Cat 955H 60A w/ripper sharp \$14,500
IH 175 4 in 1 bucket \$12,500
JD 450 Sharp \$12,000
JD 450 \$11,000
Cat 955H 60A w/cab \$9,000
(2) Cat 955H 60A \$10,000
IH 150 4-in-1 bucket, clean \$9000
IH TD6, 4-in 1 bucket, excellent cond \$8500
JD 2010 Dsl Rebuilt \$7500
IH T340 Dsl 4-in-1 Bucket w/ripper \$7000
AC HD5 w/ripper \$5600
AC HD5, Needs Work \$3000

SKID STEER LOADERS

Case 1737 water cooled \$5000
JD 24 \$4800

GRADERS

Huber Wargo Dsl w/Cab \$6500
Galion 118 Dsl w/cab \$6500

WHEEL LOADERS

Michigan 175 \$10,500
AC TL20 Diesel \$9000
Hough 50, gas 4x4 \$5000

TRAILERS

1979 CMI Folding Hydr Gooseneck \$29,500
25 ton sgl axle 5th Whl \$4500
9 Ton Tag-Along \$2800
11 Ton Tag-Along \$2000
38' Cattle Trailer \$1250
Approx 1 1/2 Ton Tandem Axle Tilt Trailer w/winch \$1200

TRUCKS

1975 Ford Tandem Axle \$18,500
1973 Ford Tandem Axle \$17,500
1973 Cadillac Eldorado \$1,400
1969 Ford Tandem Axle Dsl Dump \$9800
Int sgl axle Truck Tractor \$2850
(2) Int 1965 Dumps ea \$2850
1956 White 18' bed \$1800
1965 Ford 1/2 ton stake, sharp \$1000
1967 GMC w/utility box \$800
1970 Chevy w/20' bed \$2500
1975 Plymouth Fury 6 cyl \$1500
1973 Buick Riviera \$2500

AIR COMPRESSORS

Worthington 160 Diesel \$4500
Chicago Pneumatic 125, O H \$3000
Schramm 85 \$1000
Ingersoll Rand 85 \$2450

ROLLERS

Fordlane Paver, ex cond \$3100
3 to 5 Ton, water cooled \$3000

MISCELLANEOUS

MF 180 \$5250
MF 35 Diesel \$3500
JD 730 Diesel w/Loader \$3400
Ford Corn Planter 2 Row 3 pt 14' Dump Box \$1600
5 ft Rotary Cutter \$465
Pavement Breaker \$350
3 pt Landscape Box \$300
3 pt Corn Planter \$300
Assorted Loader Buckets
6 ft Angle Scraper Blade 3 pt \$175