

# Letters To The Editor

Dear editor:  
In the August 9 issue of the Lancaster Farming there is an interesting editorial discussing the advisability of a national "Right to Farm"

law. Robert B. Delano, president of the American Farm Bureau Federation approves such a law which includes the right to own property for farm use, the

right to develop markets and have free access to them, the right to use technology etc.

The editorial rightly questions this proposal on the grounds that it will (like most laws) raise all kinds of questions but, in my opinion, misses the point at issue.

We have forgotten our heritage when we say we need legislative to guarantee the right to farm. All we have to do is to go back to the constitution which states that our right to "Life, Liberty and the Pursuit of happiness" is an unalienable

right which comes from God. No one may take it away.

The pitfall of enacting legislation guaranteeing that right is this: these rights are already guaranteed by the constitution and our government, whose officials have already taken an oath to uphold the constitution. If the government grants any rights, they can also take them away.

If we acknowledge that the government is acting correctly in giving us the right to farm, for example, we have admitted that the

government not God, is author of these rights.

The right to own and control property or to farm is already a natural right held by every citizen. We should beware of passing any laws which give that right to the government, for what the government gives us, they can also take away.

I am convinced that too few people read the constitution. When the newscasters stated that

drafting only men might be termed unconstitutional, I asked myself, on what ground?" The constitution does not mention women (nor does it mention the word democracy.) Read the constitution and guard against surrendering any of your basic or unalienable rights to Washington! Eternal Vigilance is the price of liberty.

Mrs. Ruth Schriver  
Westminster, Md.

## Roth re-elected director of Animal Breeders Assn.

LANCASTER — Harry Roth, operations manager for Atlantic Breeders Cooperative, Lancaster, was re-elected to a three-year term as director of the National Association of Animals Breeders at their annual meeting held in Dearborn, Michigan.

A member of the Atlantic staff for 16 years, Roth is in charge of all production, processing of semen and sire selection.

Since 1970 Roth has been a member of the NAAB Dairy Sire Evaluation Genetic Improvement Committee and is currently active as a member of the NAAB Research Committee on Genetic Abnormalities. He serves as chairman of the NAAB Ad Hoc Committee on Embryo Transfer investigations. He is a member of

Atlantic's research committee.

Active in dairying in Pennsylvania, Roth was honored in 1979 when the Penn State Dairy Exposition was dedicated to him. He is a director of the Pennsylvania All-American Dairy Show, and chairman of the Pennsylvania Invitational Judging Contest.

A Pennsylvania native, Roth grew up on a dairy farm and had 10 years experience in 4-H work. He's a 1954 graduate of Penn State University where he was a member of the Intercollegiate Dairy Judging Team, president of the Dairy Science Club, member of the Ag Student Council, chairman of the Dairy Exposition and a member of Delta Theta Sigma fraternity.

After serving a year and a half as agricultural extension agent in York County, Roth joined Western Pennsylvania Artificial Breeding Cooperative as fieldman until he became sire analyst and manager in 1960. He remained manager until Western joined with Southeastern Pennsylvania Artificial Breeding Cooperative to form Atlantic. At the merger, he assumed the position of Breed Programs Director.

Roth is vice-moderator of Grace Brethren Church and a member of the Deacon Board. He and his wife Ruth have three daughters.

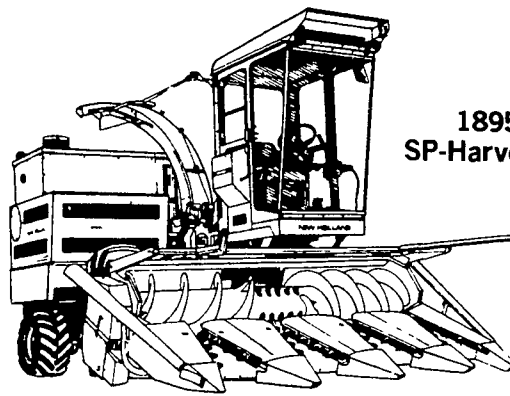


## MESSICK'S Are Recognized As A Leader In Forage Equipment... So Before You Buy - SEE THE EXPERTS!



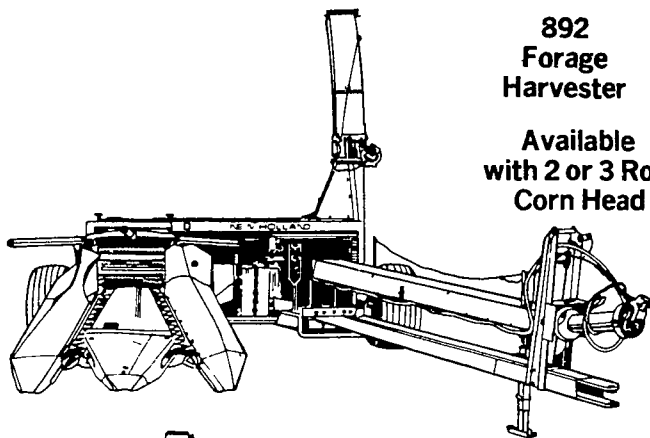
*You asked for it... You got it!*

### A SUPER GROUP OF HARVESTERS



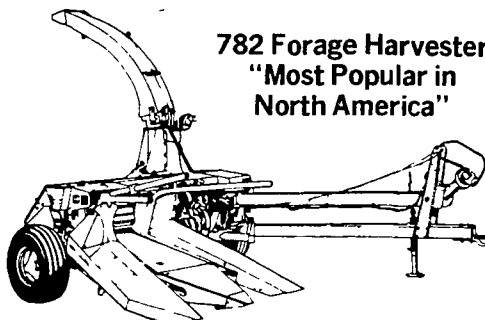
1895 SP-Harvester

See the "1895" SP-Harvester with electronic metal detector that prevents ferrous metal objects from entering the 12-knife cutterhead new-concept interchangeable crop head!

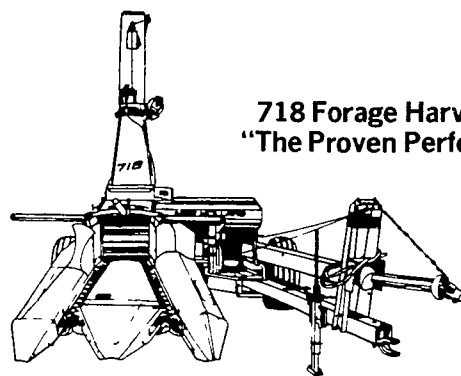


892 Forage Harvester

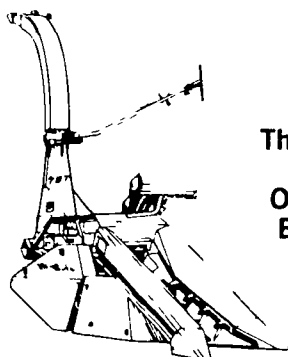
Available with 2 or 3 Row Corn Head



782 Forage Harvester "Most Popular in North America"



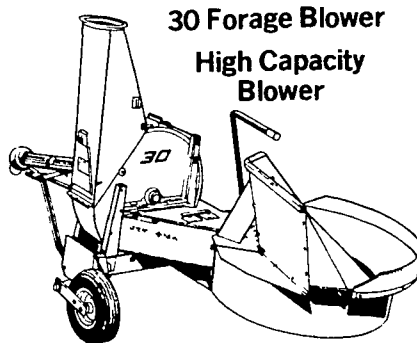
718 Forage Harvester "The Proven Performer"



707 Forage Harvester The Little Giant 3 Pt. Hitch One Row with Big Capacity

**CHECK OUT THESE EXCLUSIVE FEATURES:**

- Metal Detector
- Flip-Up Feed Rolls
- Under Bevel Knives (Never Requires Rebeveling)
- Uniform Cut



30 Forage Blower High Capacity Blower

ALL THIS **PLUS** WAIVER of FINANCE till MARCH 1, 1981 ON NEW & USED FORAGE EQUIPMENT

# MESSICK FARM EQUIPMENT, INC.

RHEEMS EXIT - RT. 283 ELIZABETHTOWN, PA.

PHONE: 717-367-1319 — 653-8867

M. DALE HERR - HOME 665-2718 WARREN SPICKLER — HOME 653-4560



## IF YOU CAN FIND AN ENGINE THAT USES LESS FUEL THAN A DEUTZ, BUY IT.



Air cooling lets a Deutz engine warm up faster and operate at a more efficient combustion temperature. There are less exhaust emissions and more power on less fuel. Users report savings of 20 to 40% over water cooled diesels. And 100% direct air cooling eliminates the major source of down time — the water-cooling system. No radiator. No water pump. No hoses. No cavitation. No freeze ups. Deutz air cooled diesels — 5 to 500 bhp.



- We stock rebuilt starters, generators, injectors, for Deutz
- We have complete road service since 1955
- We supply free application engineering
- We have facilities for any mechanical fabrication required to apply new Deutz diesels

### Stauffer Diesel Inc.

312 W Main St New Holland, PA

Ph: 717-354-4181

Retail Wholesale & O.E.M Sales  
DEALER INQUIRIES INVITED