

### Tots to parade Thursday

QUARRYVILLE — The annual baby parade at the Solanco Fair is scheduled for 6 a.m. at the fairgrounds.

The event is open to children 6 years of age and under with preregistration by noon on Wednesday, September 17 required.

Entrants must report for registration by 6:15 p.m. on Thursday with prejudging at

6:30 p.m. and the parade at 7 p.m.

Judging will be based on work and effort, costumes, overall theme and appearance, and decorative creativity.

Divisions include walking, floats, and vehicles on wheels. For more information contact Pearl Koch, chairlady, at 717/786-2497

### Tractor driving contests at Solanco Thursday

QUARRYVILLE — Open and youth tractor driving competitions will be held at the Solanco Fair Thursday starting at 10 a.m.

For ag students and 4-Hers between the ages of 14 and 21 will have the opportunity to participate in a contest which will be divided into three parts.

The first part will consist of a written examination covering general maintenance and safety practices, the second will be a

trouble shooting examination on a tractor, and the last will be a tractor driving and equipment handling course.

Adults will have the opportunity to compete in the open competition with ribbons awarded to the first three placings in the contest.

The contests will follow official Penn State tractor driving rules.

For more information on the tractor driving competition, call Preston LeFever, 717/786-3747.

## Farm group asks debate on ag issues

DES MOINES, IOWA — The National Farmers Union Wednesday called for a public debate of U.S. farm policy by the three presidential candidates.

George W. Stone, President of the family farm organization, said he has sent telegrams to Jimmy Carter, Ronald Reagan and John Anderson inviting the

men to debate farm issues in Des Moines.

"The presidential candidates have an obligation to America's family farmers and ranchers to debate what actions they would take in the next four years to boost the agricultural economy," Stone said.

"Too often in presidential campaigns, agriculture is forgotten. This year inflation is the key issue in the election, and agriculture policy is vital in stabilizing the economy," Stone said.

Speaking from the state convention of the Iowa Farmers Union, Stone said the National Farmers Union would name one farmer and ask the American Farm Bureau Federation, The Grange and the National Farmers Organization to name the other three farmer panelists.

"I think all farmers and ranchers would like to know exactly what the agricultural policies would be under a Carter, Reagan or Anderson administration," Stone said.

### Firm to give break to farmers

DES MOINES, IOWA — Massey-Ferguson has announced a program to financially assist qualified farmers and ranchers in USDA-designated drought Disaster Areas. The MF plan provides a choice of favorable down payment, interest and repayment terms.

The program applies to all or portions of the following states: Pennsylvania, Alabama, Arkansas, Florida, Georgia, Illinois, Indiana, Kansas, Kentucky, Louisiana, Minnesota,

Mississippi, Missouri, Montana, North Carolina, North Dakota, Oklahoma, South Carolina, South Dakota, Tennessee, Texas and Virginia. The plan will also apply in other drought Disaster Areas when officially designated.

The MF program is designed for farmers whose income has been seriously hurt by drought conditions. Typical options within the program include down payments as low as five per cent, interest at 10 per cent (APR), and first repayment

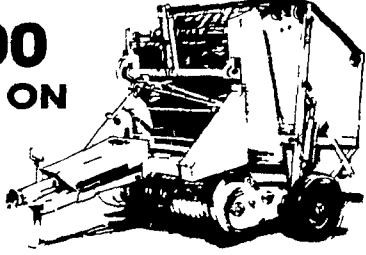
installments deferrable as long as 12 months from contract date

One example: a combine purchased now on a seasonal contract with 15 per cent down requires no repayment installment for one year. The program is available through October 31, can be used in connection with MF's current rebate program, and has certain, privileged renewal options and extensions in case of 1981 short-crop conditions.

## TRIPLE H FARMS

Peach Bottom, Pa.  
717-548-2640 or  
717-548-2094

UP TO  
**\$500.00**  
DISCOUNTS ON  
NEW  
VERMEER  
BALERS



NEW DEW-EZE BUNCHER/RETRIEVER  
IN STOCK

NEW VICON OM240 MOWER  
CONDITIONER

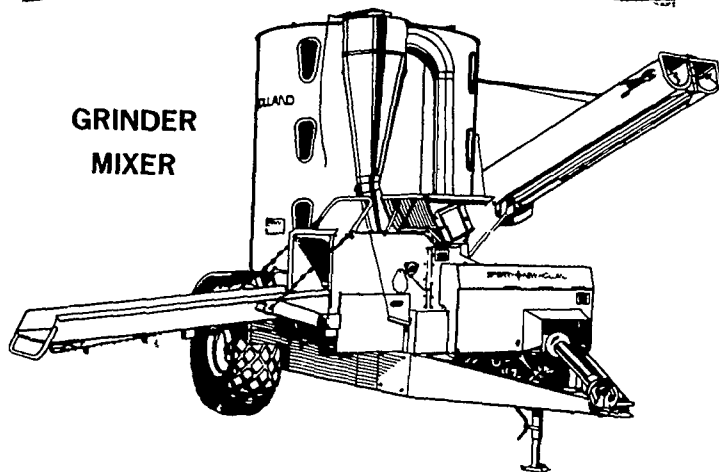
SEE DISPLAY AT SOLANCO FAIR  
SEPT. 17, 18, 19

COME TO THE  
SOLANCO  
FAIR  
SEPTEMBER 17-19

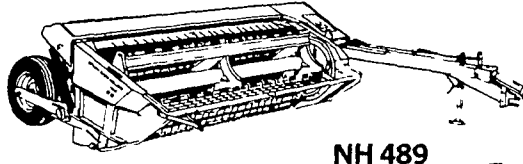
SEE OUR LARGE  
DISPLAY  
SPERRY NEW HOLLAND EQUIPMENT  
FARM EQUIPMENT THAT PERFORMS

FREE FINANCE ON  
NEW & USED

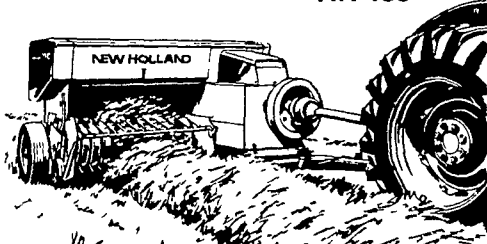
HAY EQUIPMENT TILL JUNE 1, 1981  
FORAGE EQUIPMENT TILL MARCH 1, 1981



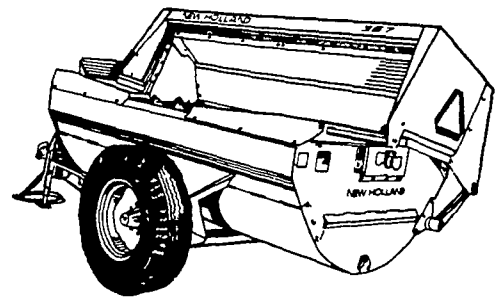
GRINDER  
MIXER



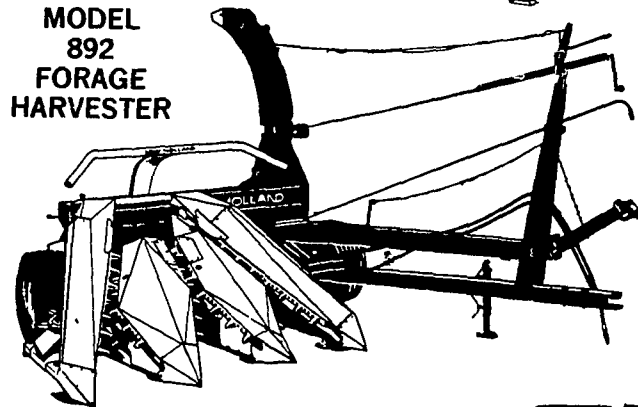
NH 489



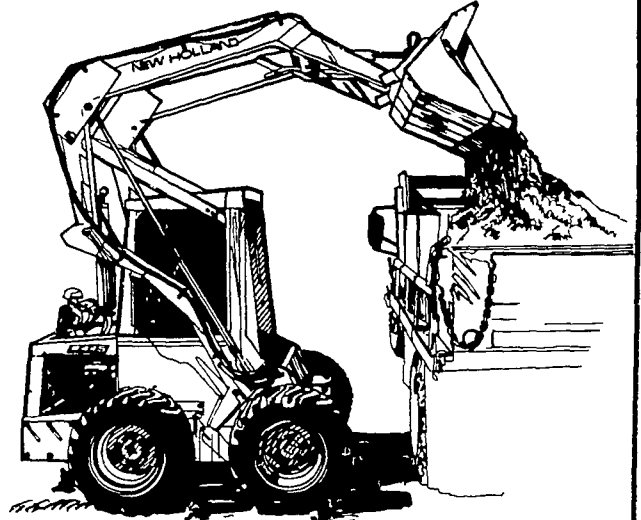
MODEL 315 BALER



MODEL 367  
TANK SPREADER



MODEL  
892  
FORAGE  
HARVESTER



MODEL L-445 UTILITY LOADER

ASK US ABOUT  
DOLLAR DIVIDEND DAYS  
- Puts Cash In Your Pocket!

YOUR SPERRY NEW HOLLAND DEALER

# C. E. WILEY & SON INC.

101 S. LIME

QUARRYVILLE, PA.

PHONE (717) 786-2895