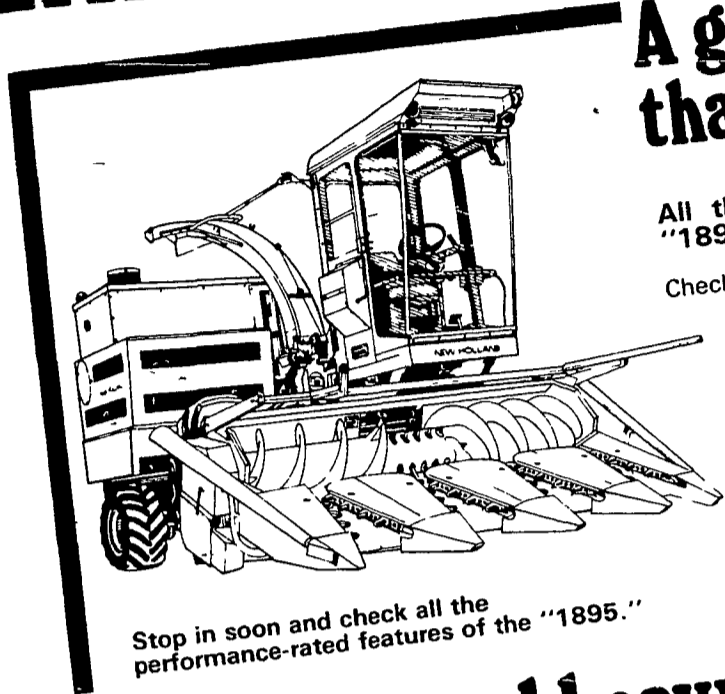


GET READY FOR SILAGE THE SPERRY NEW HOLLAND WAY!

A giant silage-maker that's 250-hp strong.



All the power you need—and then some! It's the "1895" SP chopper from Sperry New Holland.

Check these outstanding features

- Exclusive electronic metal detector (standard) reduces harvester damage, helps cut down on hardware disease
- Exclusive underbeveled knives never need re-beveling, make knife sharpening fast and easy
- Exclusive flip-up feed roll makes shearbar adjustment easy
- Exclusive interchangeable crop heads — ideal for the farmer/rancher who chops both windrowed crops and row crops. Plus a big choice of other crop heads
- Under-knife baffles increase capacity

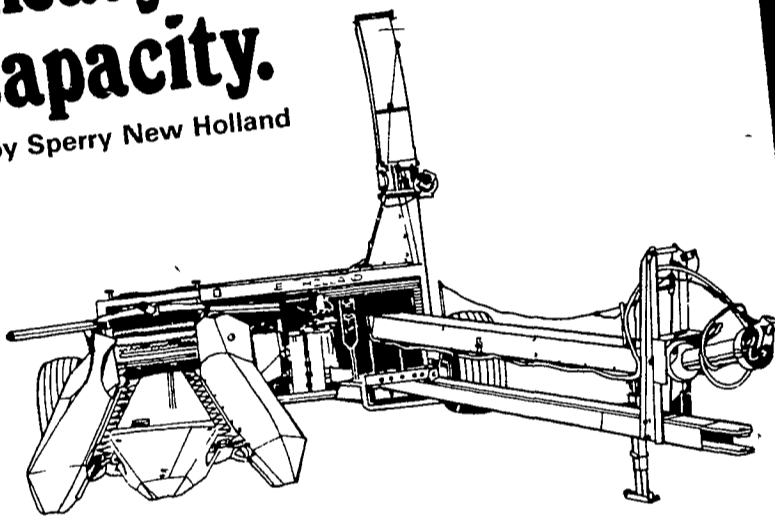
Stop in soon and check all the performance-rated features of the "1895."

Model 892: A real heavyweight when it comes to capacity.

It's the biggest capacity pull-type offered by Sperry New Holland

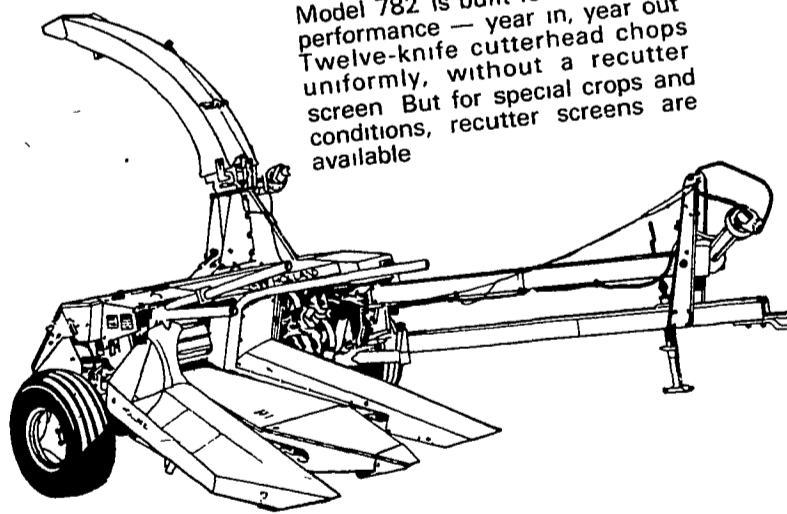
The 892 is an extra-heavy-duty chopper built for big tractor horsepower. It'll take up to 150 horsepower through the driveline, and can be used with tractors up to 175 horsepower

- Optional electronic metal detector—a Sperry New Holland exclusive—reduces harvester damage and can cut down on hardware disease
- Available with 12-knife or 8-knife cutterhead
- Exclusive underbeveled knives never need re-beveling, make knife sharpening fast and easy
- Flip-up feed roll makes shearbar adjustment easy
- Big choice of crop heads, including the exclusive interchangeable 3-row crop head/windrow pickup, 2-row low-profile crop head, conventional windrow pickup, sickle-bar and ear-corn snapping heads
- Under knife baffles increase capacity



Model 782: Heavy duty from hitch to spout.

Model 782 is built for heavy-duty performance — year in, year out. Twelve-knife cutterhead chops uniformly, without a recutter screen. But for special crops and conditions, recutter screens are available



Check these outstanding features:

- Exclusive under-beveled knives eliminate the need for re-beveling, make knife sharpening fast and easy
- Flip-up feed roll makes shearbar adjustment easy
- Choice of 540- or 1,000-rpm driveline
- Optional adjustable spout eliminates the need for spout extensions in most conditions
- Big choice of crop heads, including one- and two-row low-profile crop heads, windrow pickup, sicklebar and one-row, ear-corn snapping head

SPERRY NEW HOLLAND FORAGE HARVESTERS OFFER THE PERFORMANCE AND RELIABILITY YOU WANT, PLUS THE ATTACHMENTS YOU NEED TO TAILOR YOUR HARVESTER TO YOUR OPERATION. SEE THESE AND OTHER MODELS AT YOUR NEARBY SPERRY NEW HOLLAND DEALER LISTED ON THE FACING PAGE. ASK HIM FOR DETAILS OF SPERRY NEW HOLLAND'S WAIVER OF PAYMENT AND INTEREST UNTIL MARCH 1, 1981 — PLUS NEW LOWER INTEREST RATES WHEN YOU USE THE SPERRY NEW HOLLAND PURCHASE PLAN!