

Adams 4-H dairy roundup held

ARENDSVILLE — Thirty-seven 4-H club members showed 59 dairy animals at the Adams County 4-H Round-up held last Friday at the South Mountain Fairgrounds near Arendtsville. John T. Smith, York County agent, was type judge and Michael Haines, Taneytown, Maryland, judged fitting and showmanship.

Forty-three Holsteins appeared in the show. Christine Gitt, R2, Littlestown, showed the Grand Champion, a 3 year old; Kathy Durboraw, R9, Gettysburg, showed the Reserve Grand Champion, an aged cow.

The Junior Champion was a senior calf exhibited by Jennifer Weimer, R2, New Oxford; the Reserve Junior Champion was an Intermediate Calf shown by Gitt.

Nine Guernseys were shown. The Senior Champion and Grand Champion was an aged cow shown by Louise Connolly of R2, Littlestown. The Reserve Grand Champion was the Junior Champion, an intermediate calf exhibited by Tammy Little of Littlestown. Peggy Murren, R4, Hanover, showed the Reserve Senior Champion, a 3-year-old; and Jane Myers, R1 Littlestown, showed the Reserve Junior Champion, a Senior Yearling.

Four blue ribbon Jerseys were included in the show.

Dawn Ridinger, R2, Biglerville, showed a 2-year-old which was named Senior Champion and Grand Champion. Karen Hobaugh, R3, Hanover, showed the Junior Champion (and Reserve Grand Champion) as well as the Reserve Junior Champion. Carol Hobaugh showed a blue ribbon Junior Calf.

Only three Brown Swisses were shown. Dawn Myers showed the Junior Champion, an Intermediate Calf and the Reserve Junior Champion, a Senior Yearling. Her brother Todd showed a blue ribbon Junior Yearling.

In the showmanship contest, Christine Gitt was named Champion, Kathy Durboraw, Reserve Champion. In a mini-showman contest for 8, 9 and 10 year old members, Christine Todd, R4 Hanover, was named Champion. Lela Mummert, R2, East Berlin,

was Reserve Champion.

Sisters won the fitting honors. Margaret Todd, R4 Hanover, was named Champion; Joan Todd was Reserve Champion.

Ribbons were awarded by the Adams County Dairy as well as the Reserve Junior Champion, assisted by the Alternate Dairy Princess Sherri Kaltreiter. The Adams County Holstein Club and the York/Adams Guernsey Club presented silver dollars to each participant.

Upon conclusion of the show, 30 animals were selected to represent Adams County at the South Central Pennsylvania 4-H District Show to be held Tuesday, August 26, 1980, at the Farm Show Building, Harrisburg.

Placings by classes for Holsteins were as follows.

Junior calf class - 1. Jennifer Weimer; 2. Jennie Hess; 3. Eldon Baum, Jr.; 4. Daniel Wilkinson, and 5. Carol Clowney.

Intermediate calf class - 1. Christine Gitt; 2. Jennifer Weimer; 3. Christine Todd; and 4. Margaret Todd.

Senior calf class - 1. Jennifer Weimer; 2. Edward Wilkinson; 3. Joyce Zepp; 4. John Clowney; and 5. Josephine Hess.

Junior yearling class - 1. Lela Mummert; 2. Beth Waybright; 3. Kathleen Todd; 4. Josephine Hess; and 5. Walter Basehoar.

Senior yearling class - 1.

Kathy Durboraw; 2. John R. Hess; 3. George Basehoar; 4. Kenneth Kehr; and 5. Carol Clowney.

Senior yearling-in-milk - 1. Jennie Hess.

2-Year-Old Class - 1. Christine Gitt; 2. Beth Waybright, and 3. Jennie Hess.

3 and 4 year - 1. Christine Gitt; 2. Lela Mummert; 3. Christine Gitt; 4. Todd Durboraw, and 5. Beth Waybright.

5 years and over class - 1.

Kathy Durboraw.

Placings by classes for Guernseys were as follows. Intermediate calf class - 1. Tammy Little.

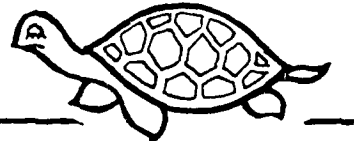
Junior yearling class - 1. Jane Myers; 2. Susan Murren.

Senior yearling class - 1. Jane Myers; 2. Dina Dutterer; 3. Peggy Murren; and 4. Susan Murren.

3 & 4 year old class - 1. Peggy Murren.

5 years and over class - 1. Louise Connolly.

**DON'T
BE
SLOW**



**Call Now To Place Your
CLASSIFIED AD**

Ph: 717-394-3047 or 717-626-1164

County Visitors

(Continued from Page D34)

interest in all aspects of artificial insemination. Manuel explained, "Some farmers have their own bulls, but we are trying to get more artificial insemination. It is easier to buy semen than to have a bull."

There are also beef animals on the Islands, and some poultry and swine, but they are not important parts of the agriculture scene there.

The land is in permanent pasture, with grass growing well year-round. In the winter, Manuel points out that farmers must wait two months between cuttings of hay.

Manuel explained that there are some plains and some hills on the Islands, with crops being raised up to an altitude of 200 meters above sea level. From 200-600 meters he said there are pastures with clover and rye grass, with windbreaks planted frequently. He added, "In the Azores, we have one crop of corn on the same land we plant red clover and Italian grey grass. From October through April, the grass is grown." Corn silage is stored on the ground.

He said much of the land is divided with stone walls, which makes it difficult to cultivate with tractors.

Manuel expressed interest in the number of soil tests done in this area. He pointed out that while they can do soil tests there, "We are not prepared to receive a lot of samples."

The soil is acid, and the prices of lime and fertilizer compare favorably with prices in this country, but Manuel notes, "It is not common to work with fertilizer and to know how much to use."

For Manuel and Mario, their visit to Lancaster County is brief, but filled with the opportunity to learn - an opportunity they intend to take full advantage of to help their native farms when they return in August.

SOYBEAN ROASTING ON YOUR FARM

DON'T WASTE IT — ROAST IT

**We Are Excited To Announce That
David N. Groff**

RD 1 Box 506C
Lewisburg, PA 17837
717-523-3342

Will Be Serving The North Central Part of
PA With A Portable Roaster

HAPPY ROASTING DAYS!

CUSTOM GRAIN ROASTING DONE IN PA
AND SURROUNDING STATES
Your Co-Custom Grain Roasters

DALE L. SCHNUPP

RD 6, Lebanon, Pa 17042 Ph 717-865-6611

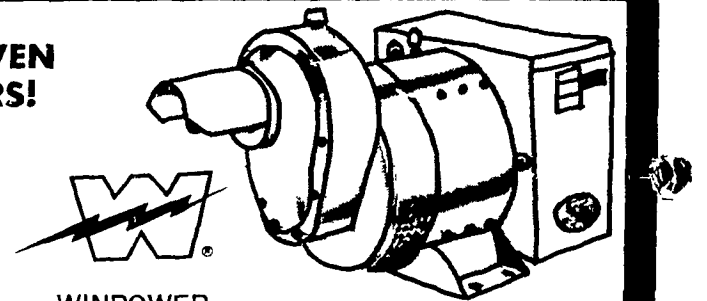
ALLEN SUMMERS

RD #1, Box 152-C 215-932-4761
Nottingham, Pa 19362



TRACTOR DRIVEN ALTERNATORS!

Protect your farm
against costly power
failure. Buy or lease a
Winpower Alternator.
PHONE OR WRITE

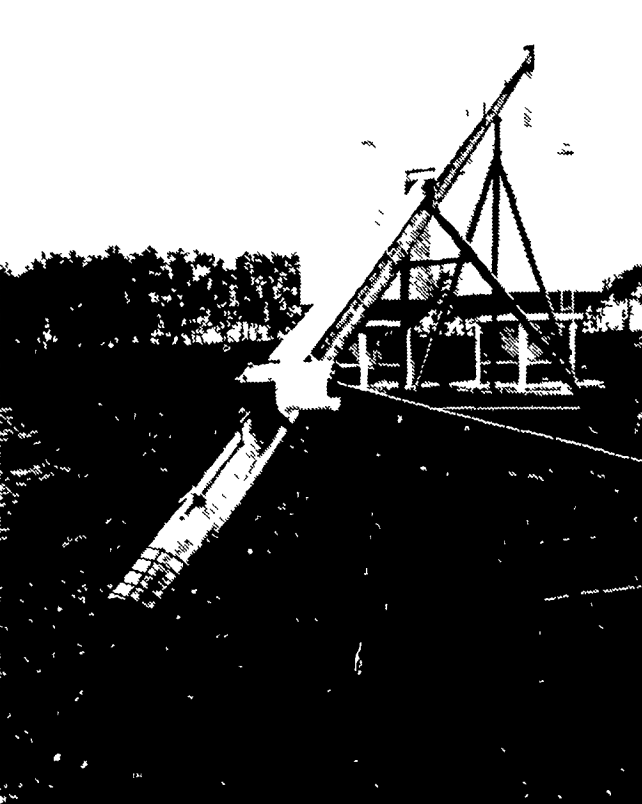


WINPOWER
CORPORATION
Distributed by

JAY RICHWINE

528 Hogestown Rd.
Mechanicsburg, PA 17052
717-766-4382

Reach To The Top With An ALLIED GRAIN AUGER



That's what you'll do when you buy an Allied auger. You'll get the best combination in reach, capacity, stability, safety, and long life - all backed by a quarter century of auger engineering and manufacturing know-how.

Here's why Allied is your best buy: cupped and extra heavy intake fighting for capacity and durability; bottom shoe on intake keeps screw from fanning grain out; sliding feed control for adjustable grain flow; clean intake end; engine motor or standard PTO drives do not obstruct intake end; reach strong gearbox with five year warranty; totally enclosed lubricated roller chain drive; discharge opening larger than tube - no backup; double acting undercarriage - proper balance; safe auger support; full reach and eave clearance; full safety guarding to ASAE standards.

Extra features - shear protection, cadmium plated hardware, demountable, storable hitch, PTO carriers, and safety brake winch.

6 and 7 augers are available in 35, 41 and 51 lengths; 8' in 41, 51' and 61'.

And remember Allied's two year warranty on the complete auger! Buy Allied and Reach To The Top.

**20% OFF THE PURCHASE OF
ANY SIZE ALLIED GRAIN
AUGER WITH THIS AD ONLY**

GT DRYER CLINIC

Monday, August 25 ★ Watch For
7:30 P.M. Further Details

HEISEY FARM EQUIPMENT, INC.

SALES, SERVICE & PARTS

• Leyland & Same Tractors • Taylorway-Dunham • New Idea
• GT Dryers • Landoll • Dion

RD1, Box 2294, Jonestown, PA 17038

Phone 717-865-4526

Located 1/2 Mile South of Fredericksburg Off Rt. 343 in Shirksville

Business Hours: 7 A.M. to 5 P.M. Daily, Sat. till Noon, Evenings by Appt.