

### Bradford County DHIA Monthly Report

June 1980

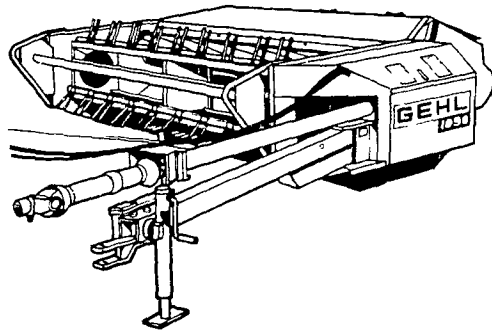
The following herds had an average fat production of 150 pounds. Herds with less than 10 cows are not included.

NAME	BRD	NO. COWS	% COW DAYS IN MILK	LBS MILK	LBS FAT				
Bob & Sandy Hollenback	B3	35	7	96	2	68	2	2	58
Earl J. Gamble	B3	37	0	95	2	61	9	2	50
James Mattocks	3	58	0	90	5	57	9	2	46
William Brown	3	28	0	100	0	63	2	2	46
Gerald Stethers	3	76	9	96	3	62	8	2	38
Garfield Vanderpool	B8	38	1	94	7	60	2	2	28
Donald Jennings Sr	B3	30	6	96	9	58	6	2	26
Richard H. Packard	3	53	1	94	1	62	6	2	22
Louis Sturdevant	B3	53	0	89	6	59	6	2	20
Betty Kilmer & Sons	B3	27	0	92	6	61	5	2	17
Stanley Saxton	3	68	3	89	9	55	5	2	16
Fivebrooks Farm	B3	72	4	94	0	57	1	2	16
Calvin & Rick Shaffer	B3	67	8	98	7	54	9	2	15
Francis Chaffee	G3	40	0	86	8	54	3	2	14
Clar & Keith Crain	B3	51	5	88	3	56	1	2	11
George W. Lee	B3	55	0	91	7	52	3	2	11
Y Run Dairy Farms	3	91	2	84	6	54	6	2	10
Greland Farms	B3	32	8	97	9	66	6	2	10
Donald Jennings Jr	B3	97	0	94	8	57	4	2	09
Donald E. Harkness	3	47	0	92	1	51	2	2	08
Paul D. McCoy	B3	61	1	94	5	59	9	2	08
George M. Shell	3	33	3	97	7	56	7	2	08
Glen & Arlen Landis	3	79	4	91	8	54	9	2	07
Leona Holsteins	3	37	0	94	3	55	6	2	06
Milford Kinsman & Son	3	104	0	96	1	52	6	2	05
Milton Sherman	B8	19	3	98	2	56	6	2	04
Larry B. Wright	B3	49	0	90	4	55	2	2	04
Alfred Spurling	3	74	5	93	2	53	9	2	03
Ponder Hill Farm	3	63	0	88	6	49	6	2	03
John Kolesar Jr	B3	41	4	89	5	50	7	2	02
Dale Mattocks	3	67	0	96	6	53	7	2	01
Archie L. Williams	3	101	0	95	6	51	1	2	01
Robert & Fred Seeley	3	46	1	92	7	48	9	2	01
H W Russell & Son	B3	44	0	86	4	55	8	2	01
Frank Herman Jr	B3	37	0	93	9	53	4	2	01
Davis Brothers	3	67	3	98	6	51	2	2	01
Marvin Berry	B3	41	2	90	9	53	8	2	00
Arthur D. Wolf	B3	61	7	88	4	51	1	2	00

Kenneth Walters & Sons	G3	87.1	93.9	50.3	2.00
Shores Brothers	B3	39.3	87.3	52.7	2.00
James & Diane Elvidge	B3	45.0	89.1	49.9	2.00
Jesse M. Gardner	B3	40.3	97.3	51.9	1.99
Lloyd Smeck	G3	54.0	96.0	50.1	1.99
Betty Kilmer & Sons	B8	39.5	92.4	51.4	1.99
Merle Watson	B3	74.0	95.1	49.6	1.98
Wright Bros	2	79.9	90.0	41.6	1.97
Clifton McMurray	B3	80.7	94.5	48.2	1.97
Elwin Roberts	B3	42.0	82.4	50.7	1.96
Garry & Nancy Johnson	B3	76.4	92.8	48.2	1.95
Elsbree Bros	B3	76.2	86.6	54.4	1.95
John H. Howard & Sons	3	61.7	94.0	53.9	1.94
Marinus DeBruin	B3	26.0	100.0	48.9	1.93
Wir.dham Valley Farm	B3	43.1	86.8	55.1	1.93
Richard D. Wheeler	3	56.0	93.8	53.8	1.92
Lewis & Lois Alderson	B3	30.2	81.2	49.0	1.92
Leslie Freeman	3	46.2	89.6	50.5	1.92
Warren J. Roberts	B3	45.0	87.7	56.0	1.92
Richard Bristol	B3	36.0	99.8	50.2	1.91
Leonard Robert Cole	B3	56.0	87.7	48.2	1.91
L. Scott Shedden	B3	57.2	92.5	53.3	1.91
Brackman Bros	2	83.1	93.8	39.2	1.90
Eugene & Brian Harris	4	56.8	94.0	39.6	1.90
Lynn & Bonnie Miller	3	47.7	79.0	48.6	1.90
Bride Brothers	B3	60.0	95.2	52.4	1.90
Tom & Diane Elliott	B3	39.7	88.1	57.5	1.90
J. William Swingle	4	40.0	100.0	38.4	1.89
Lazzell Watkins	B3	62.9	87.3	52.6	1.89
Ted Baldwins Dairy	B3	38.2	90.9	51.1	1.89
Drew & Craig Bagley	B3	54.1	93.2	50.7	1.89
Carl McClelland	B3	61.2	91.6	50.4	1.88
Paul D. Allen	B3	13.0	95.9	51.3	1.88
Merle Bacon	3	40.0	90.0	49.2	1.87

(Turn to Page D37)

## Leave windrows high and dry



Gehl's new mower conditioners with Leaf Saver conditioning rolls leave high fluffy windrows for fast drying. You'll get clean uniform cuts, even in down and tangled crops. Rugged unitized construction. Smooth torsion bar suspension. All-gear main drive. Choose from two models 7'3" or 9'3" cutting widths. See these new Gehl mower conditioners today!

Waiver of Interest Plan Until March 1, 1981 On All Hay & Forage Equipment

**GEHL**  
FARM EQUIPMENT

**PEOPLE'S SALES & SERVICE**

Oakland Mills, PA  
717-463-2735

**N.G. HERSHEY & SON**

Manheim, PA  
717-665-2271

**A. L. HERR & BRO.**

Quarryville, PA  
717-786-3521

**S. JOHNSON HURFF**

Pole Tavern  
Monroeville, NJ  
609-358-2565 or  
609-769-2565

**STOFFER BROS. INC.**

Chambersburg, PA  
717-263-8424

**ARNETT'S GARAGE**

Rt 9 Box 125  
Hagerstown, MD  
301-733-0515

**UMBERGER'S MILL**

Rt 4 Lebanon, PA  
(Fontana)  
717-867-5161

**ZOOK'S FARM STORE**

Honey Brook, PA

**BINKLEY & HURST BROS.**

133 Rothsville Station Road  
Lititz, PA  
717-626-4705

**AGWAY, INC.**

Chapman Equip. Center  
Chapman, PA  
215-398-2553

**CHAS. J. MCCOMSEY & SONS**

Hickory Hill, PA  
215-932-2615

**WERTZ GARAGE**

Lineboro, MD  
301-374-2672

**LEBANON VALLEY IMPLEMENT CO., INC.**

Richland, PA  
717-866-7518

**CLAIR J. MYERS**

Lake Road R1  
Thomasville, PA  
717-259-0453

**COLUMBIA CROSS ROADS EQUIP.**

RD 2 Box 62  
Columbia Cross Roads, PA  
717-297-3873  
717-297-2991

**PETERMAN FARM EQUIPMENT, INC.**

225 York Rd  
Carlisle, PA  
717-249-5338

### STOLTZFUS MEAT MARKET RETAIL MEAT MARKET CORN FED BEEF

- FRESH CUT BEEF & PORK
- FRESH EGGS RIGHT FROM THE FARM

### ★ OUR OWN COUNTRY CURED HAMS, BACON AND SWEET BOLOGNA

Orders Taken For Beef Sides, Wrapped And Ready For Your Freezer.



**Attention Farmers:**  
We Do Custom Beef Slaughtering

PH: 768-7166

Directions: 1 block east of Intercourse on Rt. 772  
Reg. Hours: Thurs. 9-5; Fri. 9-8; Sat. 8-5

### SILAGE CONDITIONER PRESERVATIVE and NUTRIENT BALANCER



**MOPRO**

**100 LIQUID**

### SILAGE FORTIFIER

A revolutionary new concept in improving silages. University tested and proven MOPRO Liquid Silage Fortifier is formulated to balance the major mineral and protein deficiencies of silages. It also prevents loss from mold and rot after being removed from the silo or trench. MOPRO is added at the time of ensiling and is applied by metering equipment with very little handling cost. MOPRO will not corrode mild steel tanks or brass fittings and has no free ammonia odor to irritate the eyes or skin. MOPRO is a homogeneous solution of ammonia salts, urea, cane molasses, and minerals (except salt and calcium) in an efficient liquid carrier. It provides nitrogen for improved fermentation in the rumen and contains a mineral balance of phosphorous, magnesium, and trace elements. MOPRO 100 will give a resulting silage of up to 14.3% protein.

Manufactured By:

**FURMAN E. HENDRIX, INC.**

2115 White Hall Rd  
White Hall, Md 21161  
(301) 343-0343

OVER 47 YEARS EXPERIENCE IN FEED LIQUIDS

DISTRIBUTED BY:

WHITMOYER LIQUID FEEDS  
Myerstown, PA  
717-933-5240

MIDWAY FEEDS  
Bridgewater, VA  
703-828-2196

PLATTEN'S CUSTOM SERVICE  
Stafford, N Y  
716-343-5960

AGRONOMY, INC.  
Mercersburg, PA  
717-328-3145

SUNDAY'S MILL  
Carlisle, PA  
717-243-5761

FRANKLIN KREIDER  
Lancaster, PA  
717-898-0129

HOSTETTER FARM SUPPLY  
Hanover, PA  
717-632-0402  
717-632-5789

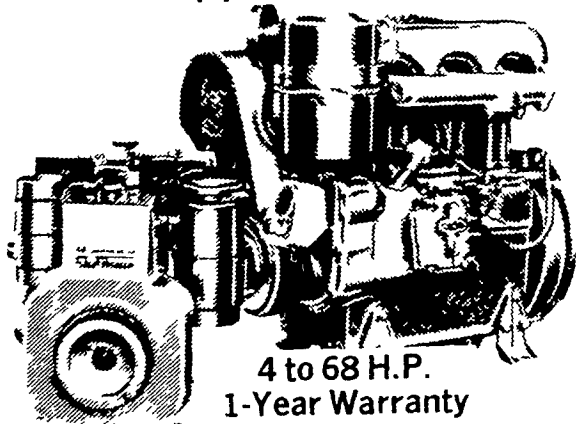
CRESCENT FARMS  
Columbus, N J  
609-298-7136

FARM & HOME SERVICE INC  
Sykesville, MD  
301-489-4133

FRANK E YODER  
Uniontown, PA  
412-438-2765

## THINK DIESEL THINK LOMBARDINI

26 different models designed to fit most gasoline engine applications



4 to 68 H.P.  
1-Year Warranty

## LOMBARDINI

The Powerhouse

The fastest growing line of small, air-cooled diesels in America.

Authorized sales, service and parts. Call today for a quotation.

Distributor

### HOOVER DIESEL SERVICE

PH: 717-656-6133

2998 West Newport Rd. Ronks, Pa. 17572  
2 1/2 miles East of Leola - Along 772  
DEALER INQUIRIES INVITED