

# Farm Calendar

(Continued from Page A10)  
 thru Saturday at the fairgrounds.  
 Carlisle Fair, thru Saturday at the Carlisle Fairgrounds.  
 Huntingdon County Fair, Huntingdon, thru Saturday.  
 Sewickley Township Fair, West Newton, continues thru Saturday.  
 McKean County Fair, Smthport, continues thru Saturday.  
 Tioga County Fair, Whitesville, continues thru Saturday.  
 Washington County Fair, Washington, continues thru Sunday.  
 Howard County Fair, Route 40, West Friendship,

Maryland, thru Saturday.  
 NICE hosted by PA Association Farmer Coops at Penn State, thru Thursday.  
 Tuesday, August 12  
 Lawrence County Fair, New Castle, thru Saturday.  
 Venango County Fair, Franklin, thru Saturday.  
 EAYFA annual tour to Williamsburg, Virginia, 7:30 a.m. thru Thursday.  
 Beechley-Hardy seed symposium starts 9:30 a.m. at Penn Harris Motor Inn, Camp Hill.  
 Wednesday, August 13  
 Queene Anne's County Fair, 4-H Park, Centreville, Maryland thru Friday.  
 University of Delaware 36th

Farm and Home Field Day, Research Substation, Georgetown, 9:30 a.m.-3:30 p.m.  
 4-H Dairy Roundup, Farm Show Building.  
 Thursday, August 14  
 Middletown Grange Fair, Wrightstown, continues thru Saturday.  
 York County 4-H Roundup, York Fairgrounds.  
 Chester County Holstein Field Day at the Bob Pepple farm, Oxford, 7 p.m. The judge will be J. Lloyd Ebersole.  
 Friday, August 15  
 York County Black and White Show, York Fairgrounds.  
 Tioga County Black and White Show, Whitesville.  
 Shattercane Field Day, Union Grove School, off Route 23, Terre Hill.

Cecil County Maryland DHIA annual meeting and picnic; 7 p.m., Calvert Grange.  
 Saturday, August 16  
 Pennsylvania State Plowing Contest; Hershey Farms, No. 6B, Hershey, 10 a.m.  
 Hereford Junior Farm Fair at the Senior High School, Hereford, Maryland; 10 a.m.-3 p.m.  
 EAYFA ice cream social, Woodcrest Retreat, Ephrata 6 p.m.  
 Chester County 4-H Horse Show, Blue Rock Farms; West Chester; 8 a.m.  
 Berks County 4-H horse roundup.  
 South Central PA Holstein Championships; Carlisle Fairgrounds.  
 PA Polled Hereford Summer Show, Dayton Fairgrounds, Dayton.

## York 4-H Fair starts Thursday

YORK — The third annual York County 4-H Fair is being held Thursday, August 14 through Saturday, August 16 at the York Interstate Fairgrounds.  
 In addition to the many projects on display made by the 4-H'ers, there will be a hot wheels race for 2-7 year olds from 4-H families and a micro-mini tractor pull competition with classes for 4-H and adult.  
 Over 1000 projects including automotive, electric, ceramics, leathercraft, stamp collecting, and rabbits will be on display.

The 4-H Dairy Show will feature 4-H members exhibiting more than 100 head of their project animals in the dairy pavillion on Thursday at 10 a.m. The animals which will be representing York County at the South Central District 4-H Dairy Show at Harrisburg will be selected from those exhibited.  
 On Saturday, about 125 horses will be shown at the 4-H Horse Roundup. The show will begin at 9 a.m. and will be held until about 5 p.m. Judging of the English and Western classes will be held in two rings in the inside circle of the race track. The top two winners in each class will be eligible to participate in the District 4-H Horse Show.

On Thursday at 10 a.m., the dairy roundup will be held; at 4 p.m. there will be Olympic games open to all 4-H members and families; from 6-8 p.m. WSBA's funmobile will be there; and at 6 p.m. there will be a hot dog eating contest; at 6:30 p.m. there will be a Hot Wheels race; at 7 p.m. Thursday, a fashion show; at 7:30 p.m. 4-H Follies; and at 9 p.m. a Micro Tractor Pull.  
 On Friday the fair will open with a Black and White Show at 10 a.m.; at 4 p.m. there will be Olympic games; at 4 p.m. or earlier there will be a 4-H beef show; at 6 p.m. Friday, a sheep blocking and grooming demonstration; at 6:30 p.m. a sheep shearing demonstration; at 6:45 p.m. a doughnut eating contest; at 7:30 p.m. entertainment and at 9 p.m. a tug of war.  
 Saturday from 9-3 there will be a petting zoo. The horse show will begin at 9 a.m.; pet judging at 9 a.m.; at 10 a.m. rabbit judging; at 11 a.m. a pet parade; also at 11 a.m., an automotive safety check; 12 noon a dairy puppet show; also at noon a tractor driving contest; at 1 p.m. there will be a goat show and a goat milking; also at 1 p.m. there will be a bicycle rodeo.

**BEHLEN CORN CRIBS**  
 (In Stock Now)  
 Call 717-464-3321

**BROKEN BELT???**  
 Over 150 Different Sizes In Stock

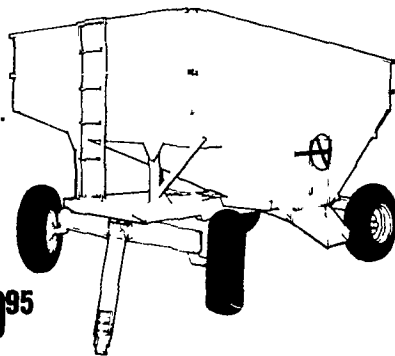
# EMHERR EQUIPMENT, INC.

## FARM & HOME SUPPLY

★ SALES — SERVICE — PARTS ★

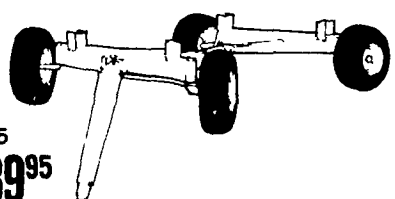
### KORY GRAVITY BOX

Model S-165  
 • Sills - 7 ga. • 165 Bu.  
 • 970 lbs. • Heavy  
 • 60" Height Duty  
 Reg. Price \$459.95  
 Special Price **\$429<sup>95</sup>**  
 Less Wagon & Tires



### RUNNING GEAR

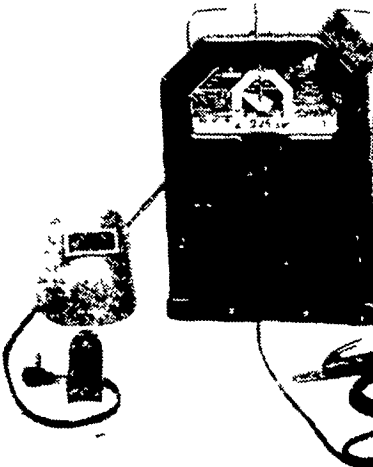
• Adj Tongue  
 • Adj Wheel Base  
 • 6 Bolt Hubs  
 10 Ton - Reg Price \$549.95  
 Special Price **\$489<sup>95</sup>**  
 8 Ton - Reg Price \$449.95  
 Special Price **\$398<sup>95</sup>**



### 225 AMP LINCOLN ELECTRIC WELDER

**\$129<sup>00</sup>**  
 Sale Price No K1170  
 Reg Price \$138

Easy welder to operate Just dial type current and control selects welding currents from 30 to 225 amps in 12 steps. No cranking or loose plugs to fool with. Economical to own, and gives years of trouble free service. Complete with helmet and Electrode Assortment.



### WHEEL KIT No K671

Reg Price \$7.99 **\$6.50** Sale Price

- Woven Wire
- Insulators
- Fence Chargers
- Electric Wire
- Barb Wire
- 5 Panel Gates

### STANDARD ROLLER CHAIN

**20% OFF All Roller Chain & Links In Stock 20, 40, 41, 50, 60, 80**

CHAIN BREAKERS **\$16<sup>29</sup>**

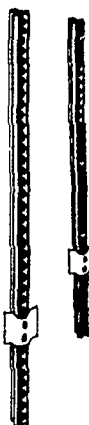
### WHITAKER CUTTER BARS, KNIVES, PARTS

**20% OFF**

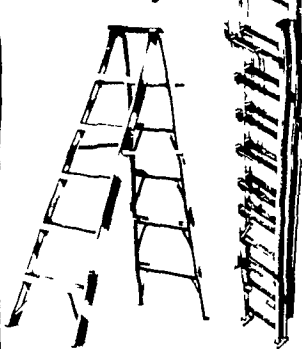
7 Ft., 9 Ft.

### T POSTS

5 1/2' **\$2.39** Reg. Price \$2.59  
 6' **\$2.59** Reg. Price \$2.79  
 6 1/2' **\$2.79** Reg. Price \$2.99



### HEAVY DUTY ALUMINUM LADDERS



Aluminum	Reg Price	Special Price
5' Step	26 09	21.99
6' Step	28 69	23.99
16' Ext	41 35	32.99
20' Ext	58 49	47.99

Wood	Reg Price	Special Price
5' Step	16 89	13.99
6' Step	20 39	16.99

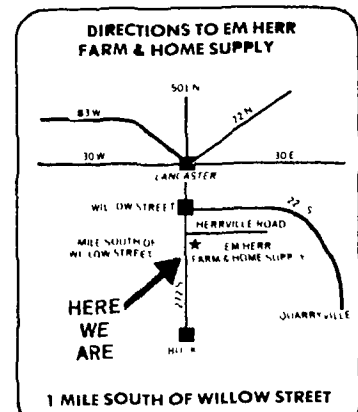
### MONOFLO WATER NIPPLES



1/2" **\$3.75** 3/8" **\$3.08**

R.D. 1 RTE 272 SOUTH, HERRVILLE RD. WILLOW STREET, PA  
 Phone: (717) 464-3321

Store Hours:  
 Mon.-Thur. 7:30 A.M.-6:00 P.M.  
 Sat. 7:30 A.M.-5:00 P.M.  
 Fri. 7:30-9:00



## SPORTING CHOICE



For 20-mile-a-day comfort, sportsmen choose Red Wing Irish Setters  
 \*Sizes 6-16  
 Widths AA-EEEE  
 \*Not all sizes in all widths



**BOOKS SHOE SERVICE**  
 107 E. STATE ST.  
 QUARRYVILLE, PA 17566  
 717-786-2795  
 CLOSED WEDNESDAYS