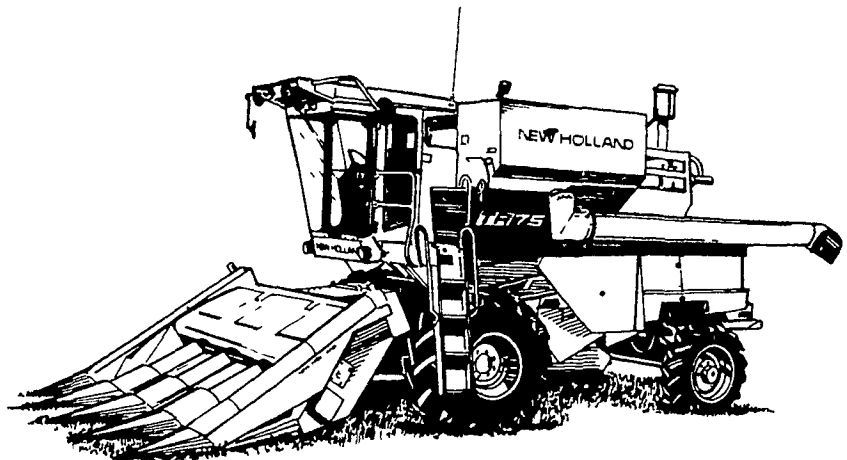


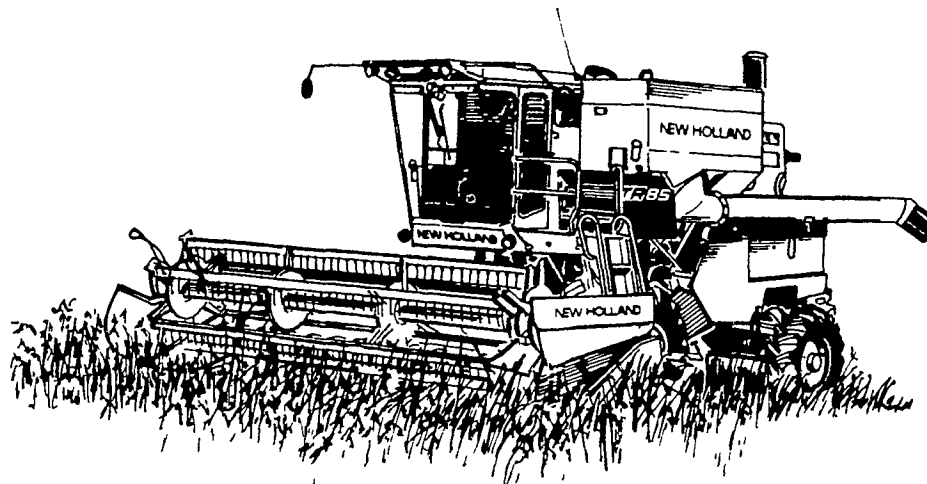
SPERRY-NEW HOLLAND

WAIVER OF PAYMENT AND INTEREST UNTIL MARCH 1, 1981

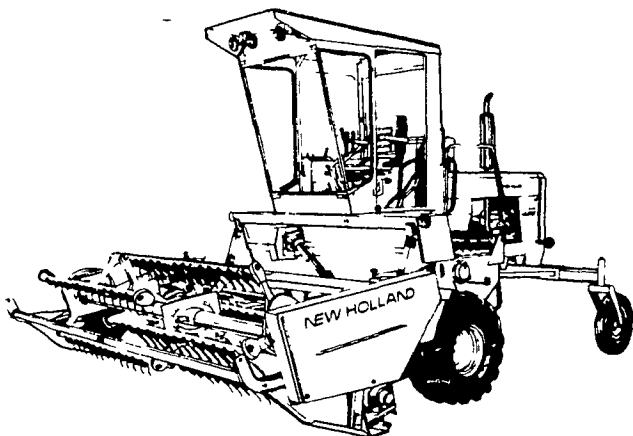
- **COMBINES**
- **HAY TOOLS**
- **FORAGE EQUIP.**



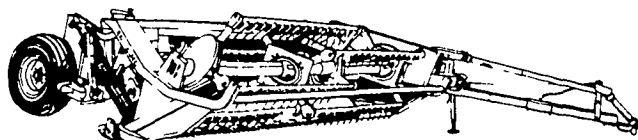
TR-75 Twin Rotor™ Combine



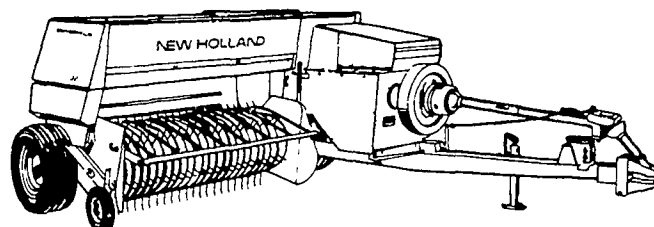
TR-85 Twin Rotor™ Combine



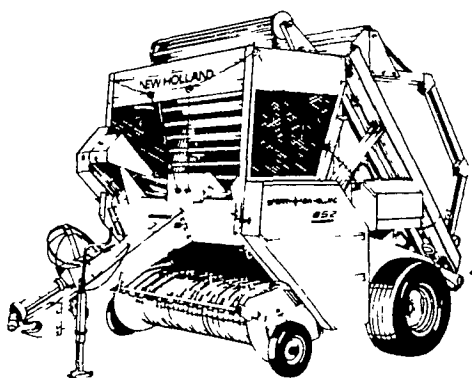
1495 Mower-Conditioner



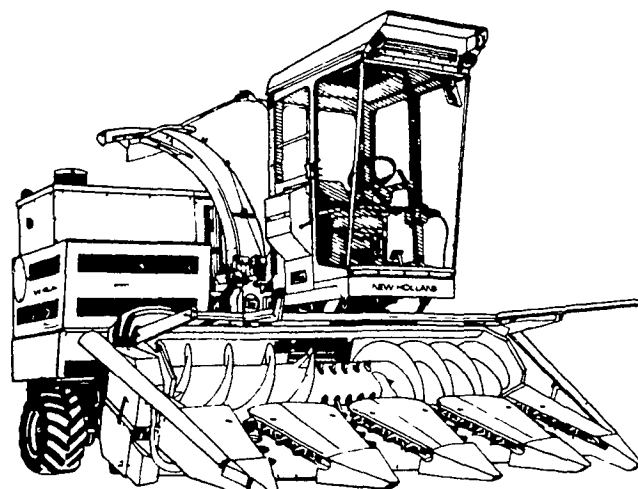
495 Mower-Conditioner



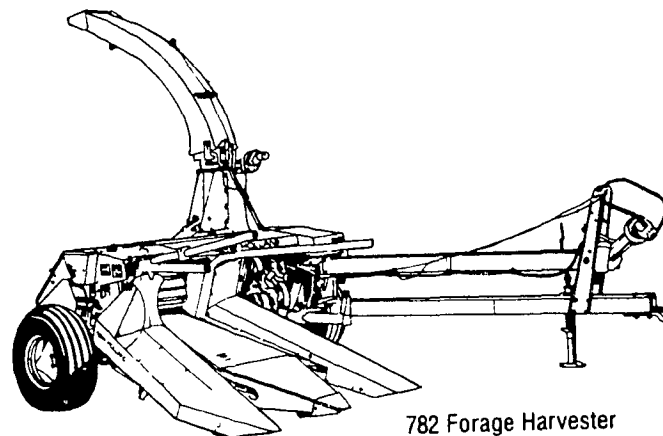
320 Baler



852 Round Baler



1895 Forage Harvester



782 Forage Harvester

