

Hostetter's sweep Chester Black and White Show

BY SUSAN KAUFFMAN
Staff Correspondent
GOSHEN — Maplebound Farm Holsteins overwhelmingly commanded the

Chester District Black and White Show spotlight last week at the Goshen Fairgrounds. The Donald Hostetter family,

Parkesburg, led their animals into the ring in fourteen out of eighteen divisions. They captured first place standings in a

total of eleven classes. In addition they ranked second four times and third three times.

Sweeping all of the grouped divisions except Junior and Senior Get, which they did not enter, Maplebound animals were also named Reserve and Grand Champion recipients.

Grand Champion was a four year old, Maplebound Elevation Kristol, sired by Round Oak Rag Apple Elevation. Another herd-mate, Maplebound Gentle Ben Sun, sired by Maplebound Gentle Ben, was named Reserve Grand

Champion as a milking six year old

The Hostetter family which consists of parents Donald and Dorcas and their four daughters—Susan, Missy, Kim and Bev—were named premier exhibitors and breeders at the show which included slightly over one hundred individual animals, according to Stanley Guest, show chairman

Three age divisions for fitting and showmanship competition started the show. Nine to eleven year old fitting and showmanship first places were awarded to Cindy Hohl with Joe Mc-

Cahon, Jr., taking second in both categories and Jeff Darlington placing third. Fourth place in this age group went to Kathy Reiter in both fitting and showmanship.

Twelve to fourteen year olds placing in the fitting were: 1. Anthony Beiler, 2. Allen March, 3. Gerald Darlington, 4. Kristine Beiler, and 5. Gayle Reiter. Showmanship rankings were: 1. Allen March, 2. Anthony Beiler, 3. Kristine Beiler, 4. Gerald Darlington, and 5. Gayle Reiter.

Fifteen year olds and older competed with fitting first

(Turn to Page C19)



The Grand Champion and Reserve Champion animals in the Chester show were both owned by Donald Hostetter. Here Tom Kearns, who helped him show, is on the left with Chester County Dairy Princess Yvonne King and Hostetter.



Donald Hostetter, right, showed the Junior Champion animal, while Jeff Yoder showed the Reserve Junior Champion heifer.

Figuring Fleet Costs? Remember . . . **Propane is better.**

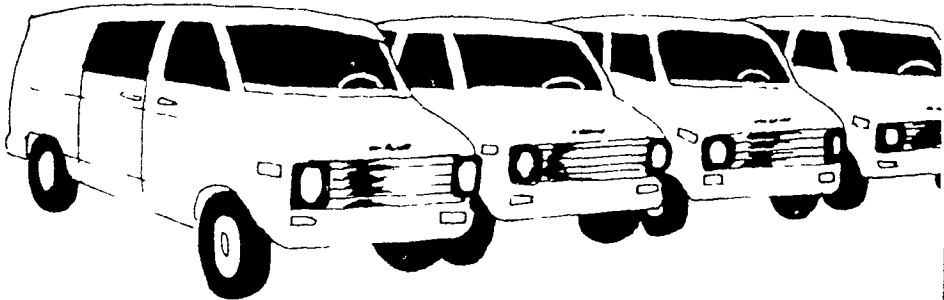
Maintenance? Clean-burning LP-gas eliminates carbon build-up and engine sludge that causes poor performance and result in costly downtime for repairs and overhauls

Parts costs? Fewer tune-ups, fewer oil changes, no fuel pump these mean money in your pocket

Cost per gallon? Figure it out in your own area. Most often, LP-gas wins over gasoline hands down

Fuel availability? Many types of fleet vehicles qualify as priority users of LP-gas. Check your situation with your local dealer

When a gasoline engine needs replacement an LP gas powered engine still has a long way to go—nearly twice as long. That's like getting two engines for the price of one

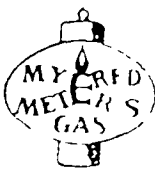


MYER'S METERED GAS SERVICE, INC.

P.O. Box 71
Manheim PA 17545
PH: 71 55-3588

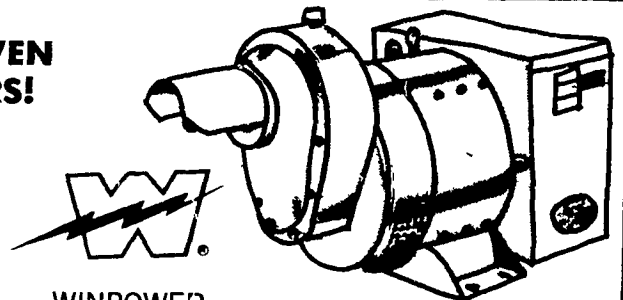
Propane

Better energy. A better future.
Efficient. Abundant. Economical.



TRACTOR DRIVEN ALTERNATORS!

Protect your farm
against costly power
failure. Buy or lease a
Winpower Alternator.
PHONE OR WRITE



WINPOWER
CORPORATION

Distributed by

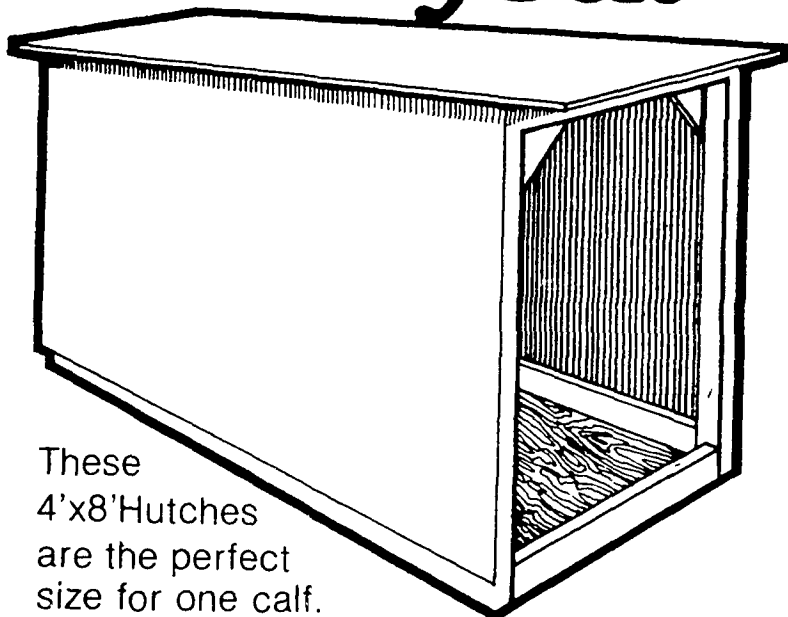
JAY RICHWINE

528 Hogestown Rd.
Mechanicsburg, PA 17055
717-766-4382



Grandpa Snavelly Says...

We now have Calf Hutches for you!



These
4'x8'Hutches
are the perfect
size for one calf.

Constructed of Masonite Brand Siding and
2x4's with a rear vent, they are solid
and durable



J.C.
Snavelly
& Sons, Inc.

Landisville, PA 17538 • 150 Main Street • 717/898-2241