

Rain gives some relief to central U.S., Canada

WASHINGTON, D.C. — Showers and thunderstorms have brought some relief from the hot, dry weather that has been threatening crops in the United States and Canada, according to a report issued today by the Joint Agricultural Weather Facility of the U.S. Departments of Commerce and Agriculture. Excess rain, however, worsened dampness problems in northern Europe and northern European USSR.

UNITED STATES. Rain over the past several days brought some relief from the hot, dry weather that has been plaguing much of the central and southern United States. Temperatures dropped into the 80's over much of the northern Great Plains.

The rain and cooler temperatures benefited corn and soybeans under stress in major growing areas that had had no rain for two to three weeks. With corn now

in the important pollination stage, weather over the next week to 10 days will be critical. The showers and cooler temperatures suggest a change in the hot, dry pattern of the past four to six weeks may be at hand.

CANADA. Widespread showers fell throughout the Prairie Provinces, bringing further relief to drought-plagued spring grain areas. Late seeded crops in Saskatchewan and Manitoba will benefit the most, though some areas still require additional rainfall to achieve adequate growth.

USSR. Key areas where the winter grain harvest was behind schedule because of wet, cold conditions improved generally this past week as weather systems stayed mostly to the north. Temperatures remained below normal, however, so conditions were less than ideal for harvesting and for row crop development.

Conditions vary in spring

grain areas. Moisture remains adequate in the New Lands, a major spring grain region. In the less important spring grain areas of northern European USSR, quality and yields suffered from continued cold, rainy weather.

EUROPE. The same cold

wet weather that was affecting northern European USSR also continued to retard crop growth in northeastern Europe. Winter grains may be in the greatest danger now with harvesting due to begin shortly.

SOUTHERN ASIA. Heavy monsoon rains have caused flooding and damaged spring crops, mostly rice, in northern India and in Bangladesh. Though flooding has occurred in some areas, overall conditions are reportedly still favorable for spring crops.

Broiler chick placement decline

HARRISBURG — Commercial red meat production in Pennsylvania during June totaled 78.3 million pounds, down seven percent from June 1980, according to the Pennsylvania Crop Reporting Service.

Cattle slaughter at 53,100 head was down 15 percent, while calf slaughter at 12,100 head was up seven percent from last year. Hog slaughter at 274,100 head increased one percent from a year ago. The number of sheep slaughtered totaled

12,100 head, down eight percent from May 1979.

National commercial red meat production during June totaled 3.09 billion pounds, an increase of three percent from June 1979. Beef production at 1.73 billion pounds was unchanged, while veal production at 30 million pounds declined six percent. Pork production totaled 1.31 billion pounds, up eight percent from June 1979. Lamb and mutton production increased five percent to 22 million pounds.

Shippensburg show

(Continued from Page A31)

Aged cow - 1. Kathy Durboraw, R9 Gettysburg.

Senior and grand champion - Christine Gitt, R2 Littlestown.

FFA show results are: Junior calf - 1. Roger E. Hall, Shippensburg, 2. Ken Culbertson, R2 Newburg, 3. Mark Yoder, Shippensburg.

Intermediate calf - 1. Roger Wingert, Chambersburg.

Senior calf - 1. Vicki T. Basehore, Mercersburg, 2. Keith McNeil, Shippensburg, 3. Lane Thrush, R5 Shippensburg.

Junior yearling - 1. Frank Ressler, Shippensburg.

Junior champion female - Frank Ressler, Shippensburg, junior yearling.

Two years old and under three, not freshened - 1. Randy Yost, Carlisle, 2.

Kenneth Holtry, R1 Shippensburg.

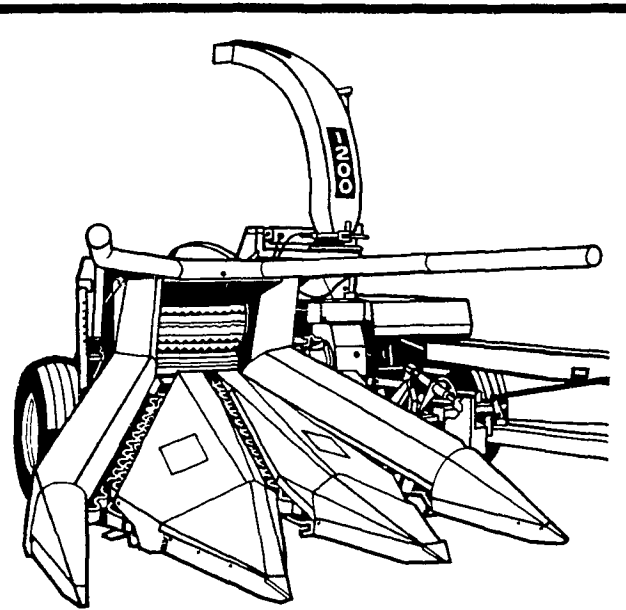
Dry cow, three and four old - Jesse Reichard, Chambersburg.

Two year old and under three, having freshened - 1. Kirby Shoemaker, Chambersburg.

Senior and grand champion - Jesse Reichard, Waynesboro, dry three and four year old.

xxx

States with the largest milk production in 1979 were: Wisconsin, 21.95 billion pounds; California, 12.55 billion pounds; New York, 10.68 billion pounds; Minnesota, 9.15 billion pounds; and Pennsylvania, 8.08 billion pounds.



Conquer big crops

The heavy-duty Gehl 1200 forage harvester handles tractors up to 225 hp. Nine tungsten-carbide faced knives deliver 9,000 cuts per minute at 1,000 rpm. Lets you power through the heavy crops with time to spare. Two-row corn attachment, windrow pickup and snapper head available. Stop in and look at the conqueror today.

Waiver of Interest Plan Until March 1, 1981 On All Hay & Forage Equipment

GEHL
FARM EQUIPMENT

PEOPLE'S SALES & SERVICE

Oakland Mills, PA
717-463-2735

N.G. HERSHEY & SON

Manheim, PA
717-665-2271

A. L. HERR & BRO.

Quarryville, PA
717-786-3521

S. JOHNSON HURFF

Pole Tavern
Monroeville, NJ
609-358-2565 or
609-769-2565

STOFFER BROS. INC.

Chambersburg, PA
717-263-8424

ARNETT'S GARAGE

Rt 9 Box 125
Hagerstown, MD
301-733-0515

UMBERGER'S MILL

Rt 4 Lebanon, PA
(Fontana)
717-867-5161

ZOOK'S FARM STORE

Honey Brook, PA

BINKLEY & HURST BROS.
133 Rothsville Station Road
Lititz, PA
717-626-4705

AGWAY, INC.

Chapman Equip. Center
Chapman, PA
215-398-2553

CHAS. J. MCCOMSEY & SONS

Hickory Hill, PA
215-932-2615

WERTZ GARAGE

Lineboro, MD
301-374-2672

LEBANON VALLEY IMPLEMENT CO., INC.

Richland, PA
717-866-7518

CLAIR J. MYERS

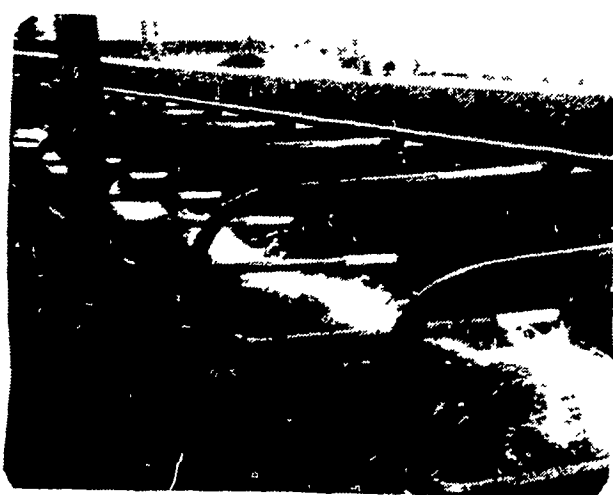
Lake Road R1
Thomasville, PA
717-259-0453

COLUMBIA CROSS ROADS EQUIP.

RD 2 Box 62
Columbia Cross Roads, PA
717-297-3873
717-297-2991

PETERMAN FARM EQUIPMENT, INC.

225 York Rd
Carlisle, PA
717-249-5338



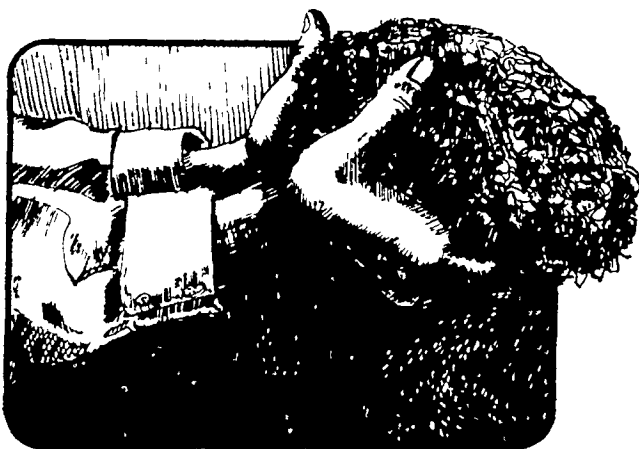
PAUL B. ZIMMERMAN, INC.

Hardware • Farm Supplies
Custom Manufacturing • Crane Service

CUSTOM BUILT BARN EQUIPMENT

- ★ LOOP STALLS (Southern Style - Channel Front - Welded Front)
- ★ STANDARD FREE STALLS
- ★ GATES (38" - 48" - 54" High)
- ★ AUTOMATIC GATE LATCHES
- ★ FENCING
- ★ FEED THRU FENCING

Box 128 R.D. #4, Lititz, PA 17543
Wood Corner Rd., 1 Mile West of Ephrata
Phone: 717-738-1121



SILAGE + LSA-100 BALANCED RATION

LSA-100 Advantages

- 100% protein equivalent
- Requires no specialized equipment.
- Creates no disagreeable odors to irritate your eyes or skin.
- Does not contain added salt or calcium.
- Will not corrode equipment.
- Needs no agitation at normal harvest weather conditions

LSA-100 is a liquid silage additive designed to be added to corn silage at ensiling time to increase its protein level, balance minerals and to improve the ensiling process. LSA-100 contains 100% protein equivalent and high levels of essential minerals. When applied as directed, LSA-100 will convert your corn silage to a balanced complete feed.

Namolco
Mol-Mix LPS
liquid supplements

LSA-100
LIQUID SILAGE
ADDITIVE FOR
BEEF & DAIRY

MARTIN'S AG SERVICE

c/o John Z. Martin
New Holland RD 1 - Phone 717 354-5848

PARAMOUNT FEED & SUPPLY

25 W Long Meadow Rd., Hagerstown, MD
Phone 301-733-8150