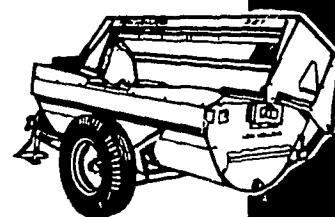
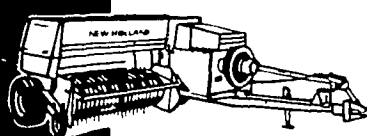
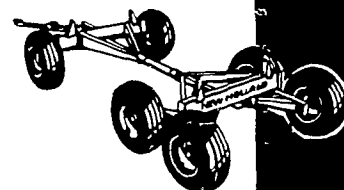
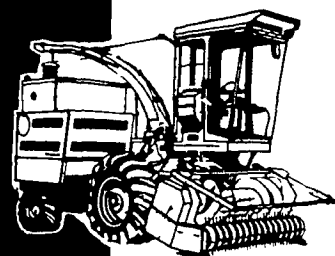
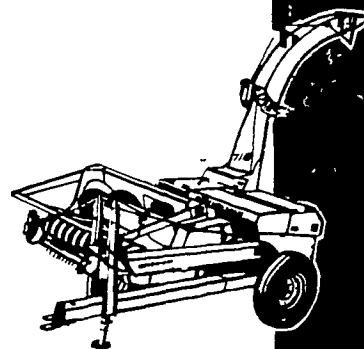
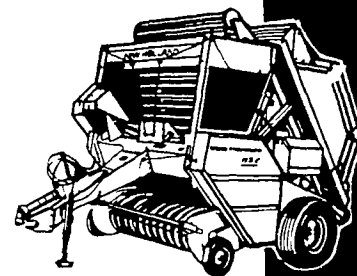


SAVE TWO WAYS



Free Finance



Lower Annual Percentage Rates!

Take advantage of Sperry New Holland's two-way savings plan and help yourself to greater profits. Get the machines you need for a good harvest this year with no payments until next March 1.

No Finance Charges until March 1, 1981, on all new or used haying and forage equipment plus Twin Rotor™ combines.

AND

Lower Annual Percentage Rates on the Sperry New Holland retail installment plan.

A great two-way savings plan from the company that listens and understands your needs.

Stop in today for all the details!

