

Farm Women Societies

Berks Co. Society 5

Group 5 of Berks County held their annual family picnic Sunday at the home of Mr. & Mrs. Albert Moyer, R2 Lebanon.

Nineteen members and their families enjoyed baked ham prepared by the Moyers. The special events committee had several games for the children.

The next meeting will be held Monday, August 25 at the home of Frieda Keppley, Womelsdorf. The program will be a Recipe Auction

Berks Co. Society 6

Surprise night was the program for Berks Society 6 in the home of Mrs. Randall Hetrick, Oley. The women wrapped and brought things they didn't want, and Carrie Hetrick gave them out to the ladies. Some of the things were old beer cans and dishes, bottles of milk of magnesia, and a dead plant.

A donation of fifty dollars was made to the Memorial Fund of Christ Lutheran Church, R2 Oley, in memory of Mary C. Haas, a charter member of Group 6.

The sunshine committee reported Get Well cards were sent to Merrill Hetrick and Carl Herben. A trip is being planned for the Allan Berry Playhouse in Carlisle.

Mrs. Merrill Hetrick is in charge of the Memorial Service for the County convention. Mrs. William Mest, Mrs. Jake Hartz, and Mrs. William Koch will be in charge of the coffee klach.

The president announced

TRUCK LOAD PLASTIC

PLASTIC COVERS



5% OFF TILL AUG. 17

NEW Fly Control Ectiban - WP Residual Spray

DANIEL Z. ZIMMERMAN

Animal Health Supplies & Livestock Equipment

Located between Leola & Talmage along Rt 772 RD1 Leola, Pa 17540 717-656-6982

be held at the Bernville home of Sally Steinhauer. It will be held Sunday, August 3 at 12:30 p.m. A family picnic will be held with each woman bringing a covered dish.

Lancaster Co. Society 2

The July meeting of Lancaster Society 2 was held at the home of Grace Miller, R3 Manheim.

Ladies responded to roll call by naming the township in which they were born. The township most represented was Rapho.

Treba Ruhl and Mable Pinkerton gave a report on the Dairy Princess Banquet and Esther Petticofer presented the Historical Society Report, on a walking tour held in the county.

Irene Cooney was the guest speaker on the topic of safety. Irene spoke to the ladies concerning heart attacks, poisoning, choking, and proper ambulance procedures.

The next meeting will be Saturday, August 9, at Ruhl's Picnic Grove.

the state project for this year is crocheted articles. They will first be judged at the County Convention. Then on November 8, the state board will judge the final winners.

The group has received an invitation to attend the 10th anniversary celebration for Group 9, on September 17 at St. Paul Lutheran Church, Douglassville.

The next meeting will be at the home of Nora Sweitzer, Oley, on Wednesday, August 6. It will be a family covered dish lunch and swimming party.

Berks Co. Society 12

The July meeting of Berks Society 12 was held in the Bernville home of Pauline Hartranft.

The guest speaker for the evening was Doris Vega, a residential representative for Metropolitan Edison.

The August meeting will

Lancaster Co. Society 3

Members and families of Lancaster Group 3 were entertained in July at a picnic at Sunny Craft Farm, the home of Mr and Mrs Clarence Stauffer

A chicken barbecue was served at noon followed by

games and swimming throughout the afternoon.

Plans were made for the food stand at the Ephrata Fair. Nancy Balmer announced a bus trip to the Poconos in October and a bus tour of Lancaster County with a breakfast at Willow Valley Restaurant also in October.

The next meeting will be at Zinn's Park, Saturday, August 16. Members of local 4-H clubs will be guests.

Lancaster Co. Society 6

Lancaster Society 6 met at Mt Gretna in July. Plans were completed for the August meeting. The annual family dinner will be held Saturday, August 2 at the Elizabethtown Brethern in Christ Church at 6 p.m.

Thankyou notes were read from recipients of the Elizabethtown High School FHA award, Candy Christofer and the FFA award to Mel Hoffer.

Group singing followed

The members responded to a show and tell with the things that they make and do. An auction was held.

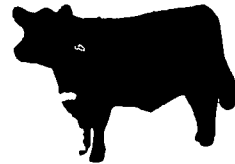
Lancaster Co. Society 7

Lancaster Society 7 met in July at the home of Mrs Harold Eby, Kinzers

Speaker for the evening was Paul Neff. He showed slides of cheese making in Austria, Greece, Switzerland, Germany, Norway, Holland and America.

A Dutchmaid fashion show will be held Tuesday, August 12 at 7 p.m at the home of Mrs Aaron Denlinger, Paradise.

The Group will tour the Peoples Place in Intercourse September 13 and have their business meeting at the home of Edna Jean Homsher. Ronks.



the ENERTECH 1500

a beautiful way to save electricity

The EnerTech 1500 plugs into your renewable wind energy into your household electric system.

Send \$1. for our 16-page brochure with details on sites, endurance tests, tax credits and more.



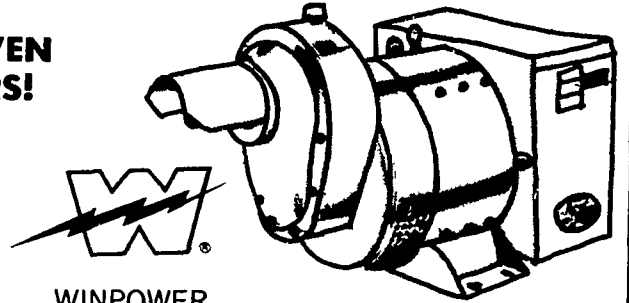
energy resource centers

458-8011

P.O. box 24 uwchland, pa 19480

TRACTOR DRIVEN ALTERNATORS!

Protect your farm against costly power failure. Buy or lease a Winpower Alternator. PHONE OR WRITE



WINPOWER CORPORATION

Distributed by

JAY RICHWINE

528 Hogestown Rd. Mechanicsburg, PA 17055 717-766-4382

Please send me additional information

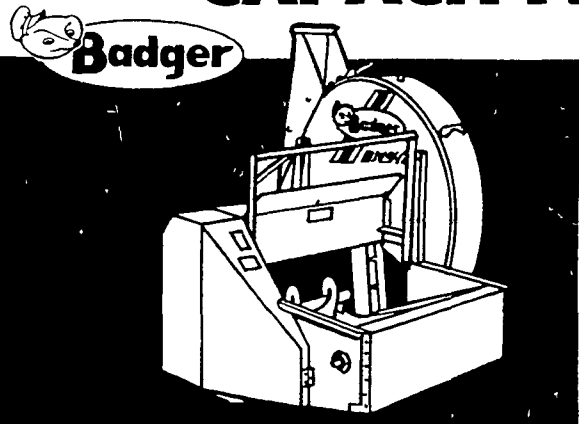
Name _____

Address _____

City _____ Zip _____

Phone _____

CAPACITY!



Badger BN542 Forage Blower

Big Badger capacity is the highlight of the new BN 542 Forage Blower. With continuous blow-power to fill the biggest silos at the busiest time of the year and fill them fast!

- Throw-action hopper, the newest technology in feed entry
- Rugged 54" fan with full length cupped paddles
- Reinforced blower band for longer life
- Large 126 sq. inch "free float" throat opening for heavy volume

We've earned our stripes in feed handling!

IN SEASON WAIVER ON ALL FORAGE EQUIPMENT TILL JAN. 1, 1981 ALSO CHECK WITH YOUR DEALER ON THE REBATE PROGRAM

SEE YOUR LOCAL BADGER DEALER

ROY CHRISTMAN

RD 1 Hamburg PA 19526 (215) 562 7218

LLOYD E. KREIDER

RD 1 Cochranville PA 19330 (215) 932 4700

GRUMELLI'S FARM SERVICE

Mechanics Grove Quarryville PA 17566 (717) 786 7318

PIKEVILLE EQUIPMENT INC.

RD 2 Oley PA 19547 (215) 987 6277

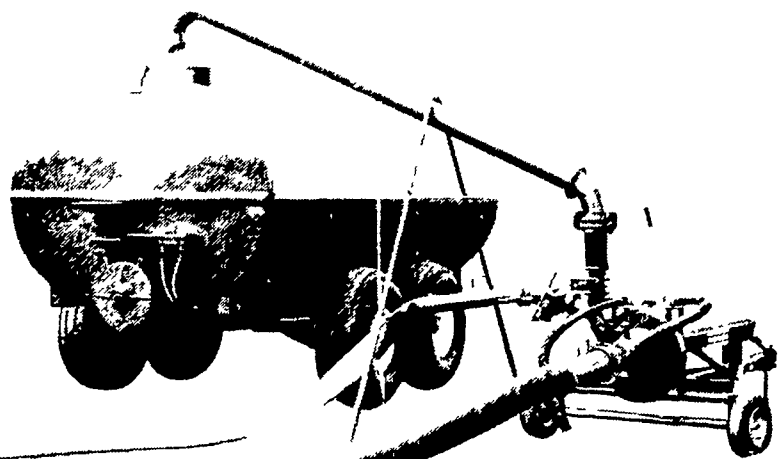
SHOW-EASE STALL CO.

523 Willow Rd Lancaster PA 17601 (717) 299 2536

CECIL DAIRY SERVICE

RD 1 Rt 274 Mr South Rising Sun MD 21911 (301) 658 6923

NEW FROM VAN DALE!



THE PUMP THAT PUMPS THE TOUGH ONES!

Now you can ignite manure in those tough hard to get livestock systems. That's exactly why we designed and built the new VAN DALE high pressure centrifugal pump.

Just some of the features: 6" suction hose 4" discharge hose up to 70 p.s.i. loading rate up to 2,500 g.p.m.

With basic unit you get a frame trailer tires P.T.O. (540 or 1000) 15 x 6" suction hose with end guard 4" discharge valve with 4" directional discharge nozzle. Optional equipment includes bipod load package Y Valve discharge hose manual primer.

VAN DALE®

SEE US AT AG PROGRESS DAYS AUG. 19-21

K & S INC.

VAN DALE SALES AND SERVICE

RD 1, QUARRYVILLE, PA 17566

PHONE: 717-284-3111