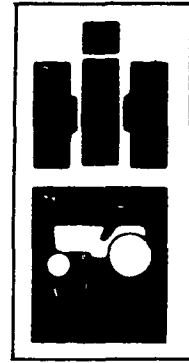

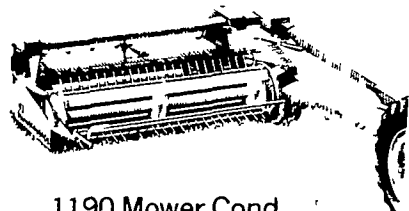

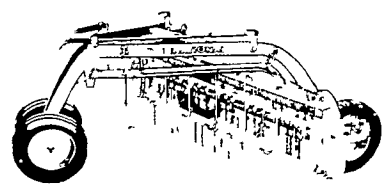
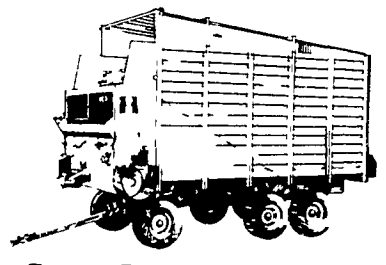
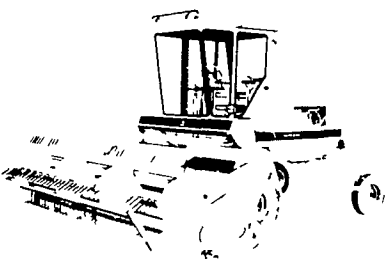

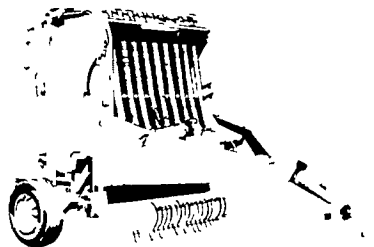


BEAT HIGH PRICES WITH **IH** WAIVER OF FINANCE HAY & FORAGE



 <p>425, 435, 445 Balers *Up to 19 Ton Per Hr *Near Perfect Tying</p>	 <p>1190 Mower Cond *7' & 9' models *Vertical & Horizontal float *Hyd Steering (Ava)</p>	 <p>720 & 830 Forage Harv *12 Knife Cutterhead *Quick Attach Units *Electric Controls *Hyd Knife Sharpener</p>	 <p>#35 Rake *Ground Drive *Hyd Drive *Clean Raking & Tedding</p>
 <p>Forage Box * 120/130 Forage Boxes *Holds up to 8 ton silage *2 speed fast apron drive *Big 16" Auger unloads fast</p>	 <p>5000 Windrower *Auto Steering *Overshot Auger *12' x 14' Header</p>	 <p>#1300 Mower *Operates above and below ground level *Simple drive, only three moving parts *Wrist-action balance head drive</p>	 <p>2400 Big Round Baler *Up to 500 lb Bales *Soft Center-Better Curing</p>

SAVE \$\$\$\$ \$ NOW

*** IH WAIVER-OF-FINANCE PROGRAM**

EQUIPMENT NEW & USED*	BUY NOW OR UP UNTIL:	WE'LL WAIVE FINANCE CHARGES UNTIL:
IH Balers	8-31-80	4-1-81
IH Mower Conditioners	8-31-80	4-1-81
IH Forage Harvesters	8-31-80	4-1-81
IH Rakes	8-31-80	4-1-81

* Check IH Dealers for Details on Used
* When financed through the International Harvester Credit Corporation for at least 12 months.

*** IH WAIVER-OF-FINANCE PROGRAM**

EQUIPMENT NEW & USED*	BUY NOW OR UP UNTIL:	WE'LL WAIVE FINANCE CHARGES UNTIL:
IH Forage Wagons	8-31-80	4-1-81
IH Windrowers	8-31-80	4-1-81
IH Mowers & Wagons	8-31-80	4-1-81
IH Big Round Baler	8-31-80	4-1-81

* Check IH Dealers for details on Used
* When financed through the International Harvester Credit Corporation for at least 12 months.

**SEE THESE DEALERS FOR FULL DETAILS
AND SAVE PRICE INCREASES - SAVE \$ - BUY NOW**

CLARENCE WILSON & SONS
Kimberton, PA
215-933-3581

MECKLEY-DALMATIA
Dalmatia, PA
717-758-3021

R.S. HOLLINGER & SON
Mountville, PA
717-285-4538

HERITAGE INTERNATIONAL, INC.
1054 S State St
Ephrata, PA
717-733-2283

BIGGS INCORPORATED
34 Buckley Ave
Rising Sun, MD
301-658-5531

C & W EQUIPMENT, INC.
260 York Rd
Carlisle, PA 17013
717-243-4419

STAMBAUGH INTERNATIONAL INC.
New Bloomfield, Pa
717-582-2411

MELVIN J. SHEFFER, INC.
121 Railroad Street
Hanover, PA
717 637-3808

HICKORY INTERNATIONAL INC.
Route 1 Hickory
Bel Air, MD
301-838 4200

C.B. HOOBER & SON
Intercourse, PA
717-768-8231

LAMB'S FARM MACHINERY
Thorndale, PA
215-269-2676

VOUGH & SONS, INC.
Bangor, PA
215-588-5922

SWOPE & BASHORE, INC.
Myerstown RD 1 (Frystown)
717-933-4138

MESSICK FARM EQUIP.
Rheems Exit Rt 283
Elizabethtown PA
717-367 1319

COPE & WEAVER CO.
New Providence, PA
717 786 7351

M & R EQUIPMENT, INC.
New Park PA
717 993 2511

DOMBACH EQUIPMENT, INC.
McAlisterville, PA
717 463-2191

WM. HOBENSACK'S SONS
1060 Greeley Ave
Ivyland PA
215 675 1610
215-343 2101

ERB & HENRY EQUIP., INC.
22 26 Henry Ave
New Berlinville, PA
1 Mile North of Boyertown
215 367 2169

L.L. ECKROTH FARM EQUIP., INC.
RD 2, New Ringgold PA
717 943 2367

LEHIGH INTERNATIONAL, INC.
12 Oak Wood Lane
Schnecksville PA 18078
215 767 1188

