

Junior Cooking Edition

(Continued from Page C10)
CROWN JEWEL SALAD

- 3 3-ounce packages lime gelatin
- 4½ cups water
- 1 3-ounce package lemon gelatin
- 1 cup boiling water
- ¼ cup sugar
- ½ cup pineapple juice
- 2 cups whipping cream

Mix the lime gelatin according to the package directions using only 1½ cups of water per package. Pour into a flat pan and chill overnight. Dissolve the lemon gelatin and sugar in boiling water and pineapple juice. Chill until partially set. Whip the cream and beat in the lemon gelatin mixture. Cut lime gelatin in cubes and fold the two together. Chill.

Julia S. Petre, Age 15, Waynesboro

KRAFT CHEESE

- 5 gallons skimmed milk
- 5 cups dry cheese
- 1 teaspoon soda
- 2 teaspoons salt
- ½ cup butter
- 1-1½ cups milk or cream

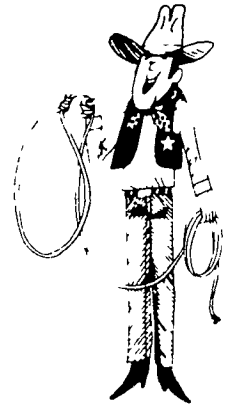
Butter may be made from the cream skimmed from the milk. Let the skimmed milk sour until thick, then scald. Squeeze the whey out of the cheese then strain through a cheesecloth and strain dry. Put through a food grinder and grind fine. Cook the remaining ingredients in a double boiler until smooth, approximately 1 hour. Stir occasionally while cooling. Add more milk to make a softer cheese. Makes approximately 3 quarts.

Eileen Martin, Age 15, Reinholds

**ROPE IN
SOME EXTRA
CASH!**

Advertise With A
Lancaster Farming
CLASSIFIED AD...

Phone: 717-394-3047
or 717-626-1164



KEEP IN TRIM!

Do the Job With:

ECHO

The Green Machine® WEED EATER

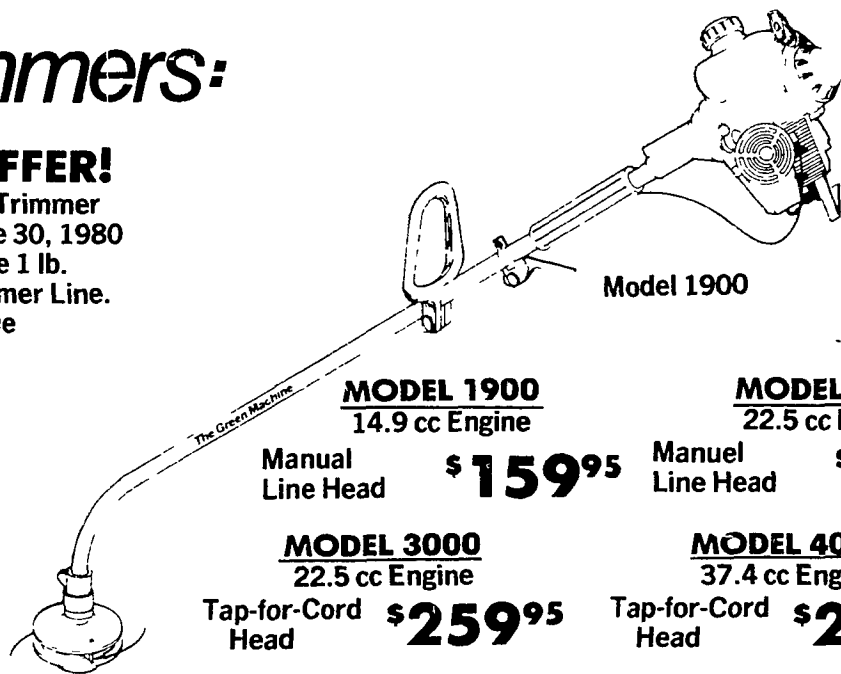
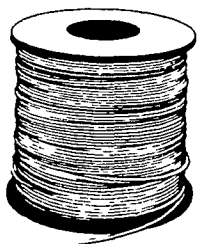
TRADEMARK

The Green Machine®

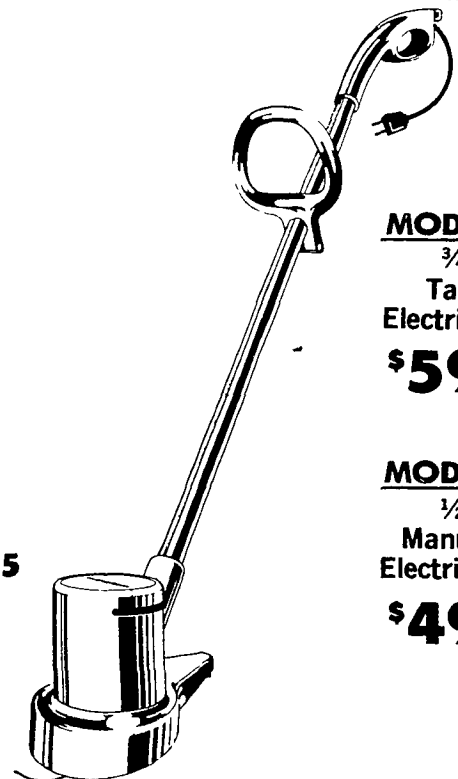
Gas Trimmers:

SPECIAL OFFER!

Purchase any Gas Trimmer
From Us Before June 30, 1980
And Receive One 1 lb.
Spool of Weed Trimmer Line.
\$12.95 Value

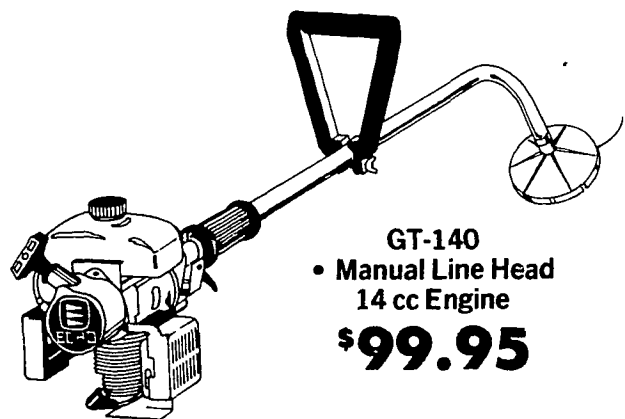


- | | | | |
|--|---------------------------|--|---------------------------|
| MODEL 1900
14.9 cc Engine
Manual Line Head | \$159⁹⁵ | MODEL 2500
22.5 cc Engine
Manual Line Head | \$219⁹⁵ |
| MODEL 3000
22.5 cc Engine
Tap-for-Cord Head | \$259⁹⁵ | MODEL 4000
37.4 cc Engine
Tap-for-Cord Head | \$299⁹⁵ |

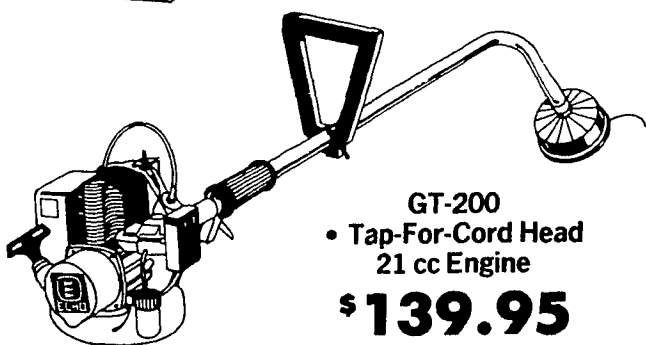


- Model 1500
- MODEL 1500**
¾ H.P.
Tap Head
Electric Trimmer
\$59.95
- MODEL 1200**
½ H.P.
Manual Head
Electric Trimmer
\$49.95

ECHO



- GT-140**
• Manual Line Head
14 cc Engine
\$99.95



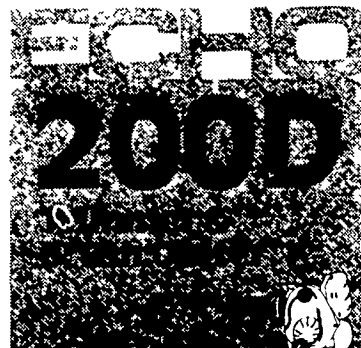
- GT-200**
• Tap-For-Cord Head
21 cc Engine
\$139.95



Gas powered
lightweight
for home
yard &
garden
groom-
ing

- Easy-to use
- Fast starting 14 cc engine
- Optional brush blade

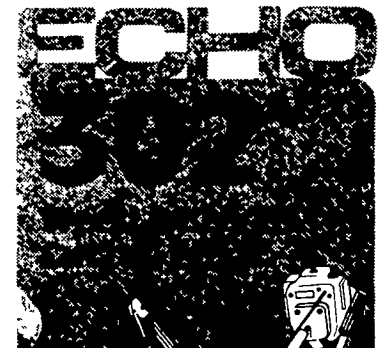
- Manual Line Head
\$129.95



Dependable,
gas powered
weed & brush
cutter for
home or farm

- Easy-to-handle
- Solid drive shaft
- 21cc KIORITZ engine
- Optional steel blades

- Manual Line Head
\$209.95



Dependable
30cc KIORITZ
engine

- Exclusive "Vibe-less" system
- Solid drive shaft
- Sealed gear box
- Manual Line Head
- Complete with 2 Blades

- \$299.95**

**AUTHORIZED SERVICE CENTER FOR ECHO, GREEN
MACHINE AND WEED EATER.**

FARMERSVILLE EQUIPMENT INC.

RD 4, Ephrata, PA.

717-354-4271

HOURS: Mon., Tues., Wed. & Fri. 7:30 AM to 5 PM; Thurs. to 9 PM; Sat. till 3 PM

