

SCSA focuses on economics, ethics, and ecology

ANKENY, Ia. — Blending economics, ethics, and ecology into effective conservation programs will be the focus of the 35th annual meeting of the Soil Conservation Society of America, August 3-6, 1980, at the Hyatt Regency Dearborn in Dearborn, Michigan.

Theme of the meeting will be "Economics, Ethics, Ecology Roots of Productive Conservation."

Three renowned conservationists will keynote the meeting ecologist Eugene Odum, director of the University of Georgia's Institute of Ecology; L. L. Boger, president of

Oklahoma State University; and James P. Bruce, assistant deputy minister of Environment Canada's Environmental Management Service.

Other highlights include symposia and roundtable discussions on the land use planning urgency, the water management crunch, and the energy squeeze on land and water management as well as a session featuring reviews of five major natural resource management assessments now being conducted on the national and international levels.

These will be followed by

the Third Annual H. Wayne Pritchard Lecture delivered by futurist Robert Theobald.

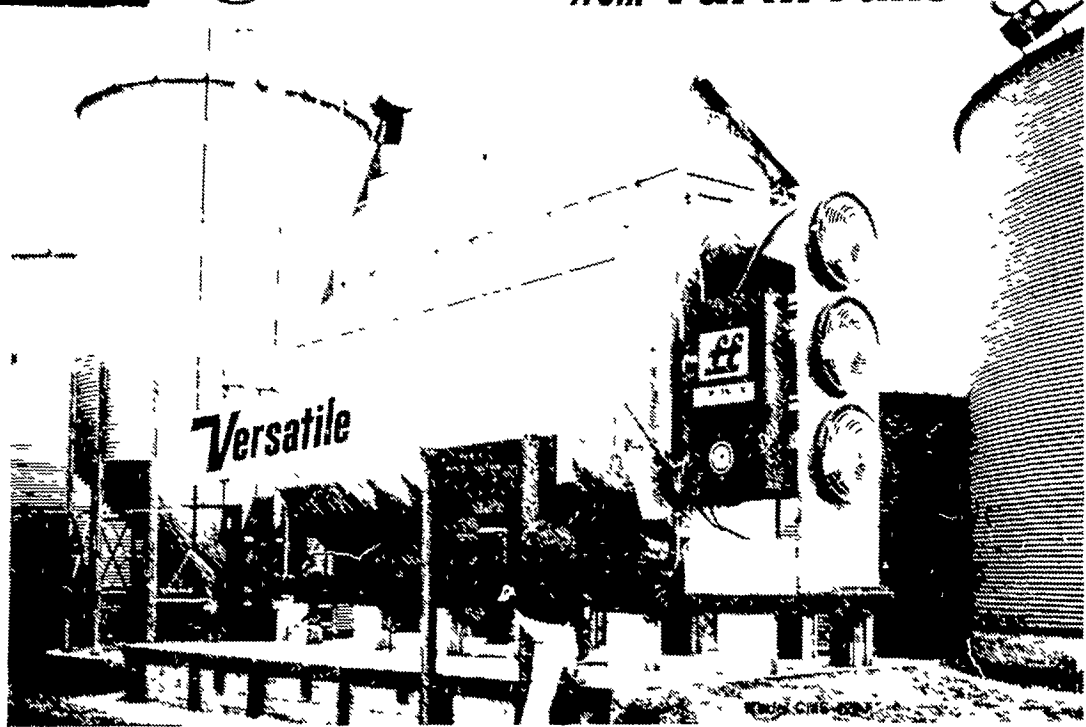
A preliminary program and details on registration are available from SCSA, 7515 N.E. Ankeny Road, Ankeny, IA 50021.

SCSA is a nonprofit scientific and educational organization dedicated to advancing the science and art of good land use. It has 15,000 members in the United States, Canada, and about 80 other countries.

NEED MORE ROOM?
Read The Classified Real Estate Ads

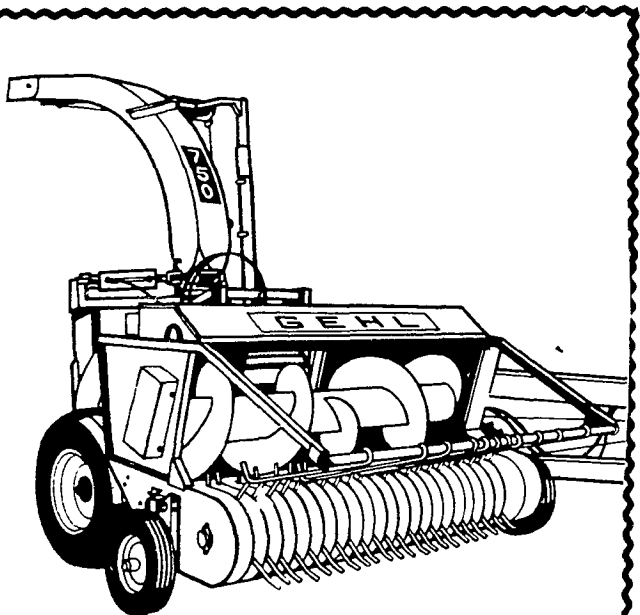
THE SYSTEMS PEOPLE

ff J-SERIES DRYERS from Farm Fans



Select Continuous Multi-Stage or Continuous Flow Grain Drying . . . With The Flip of a Switch

- Two models — CMS-320J, CMS-420J
- Choice of Continuous Multi-Stage or Continuous Flow drying
- Exclusive Automatic System Control is weatherproof and tamperproof
- "Temper Dries" automatically for premium quality grain
- The J Series is specially designed to meet today's need to save energy
- Big capacity drying for high volume grain operations
- Backed by almost 30 years experience in grain conditioning



Fuel Efficient, Low Horsepower

Gehl's 750 forage harvester is a fuel-efficient, low horsepower precision cut forage harvester designed to work with tractors from 60 to 120 hp, depending on the driveline you select. Attachments include 6' hay pickup, one or two-row corn heads, in-head hydraulic knife sharpener, and more. And we've got them in stock, NOW at

Waiver of Interest Plan Until Oct. 1, 1980 On All Hay & Forage Equipment

GEHL
FARM EQUIPMENT

PEOPLE'S SALES & SERVICE

Oakland Mills, PA
717-463-2735

M.G. HERSHEY & SON
Manheim, PA
717-665-2271

A. L. HERR & BRO.
Quarryville, PA
717-786-3521

S. JOHNSON HURFF
Pole Tavern
Monroeville, NJ
609-358-2565 or
609-769-2565

STOFFER BROS. INC.
Chambersburg, PA
717-263-8424

ARNETT'S GARAGE
Rt 9 Box 125
Hagerstown, MD
301-733-0515

UMBERGER'S MILL
Rt 4 Lebanon, PA
(Fontana)
717-867-5161

ZOOK'S FARM STORE
Honey Brook PA

BINKLEY & HURST BROS
133 Rothsville Station Road
Lititz PA
717-626-4705

AGWAY, INC.

Chapman Equip. Center
Chapman, PA
215-398-2553

CHAS. J. MCCOMSEY & SONS

Hickory Hill, PA
215-932-2615

WERTZ GARAGE
Lineboro, MD
301-374-2672

LEBANON VALLEY IMPLEMENT CO., INC.
Richland, PA
717-866-7518

CLAIR J. MYERS
Lake Road R1
Thomasville, PA
717-259-0453

COLUMBIA CROSS ROADS EQUIP.

RD 2 Box 62
Columbia Cross Roads, PA
717-297-3873
717-297-2991

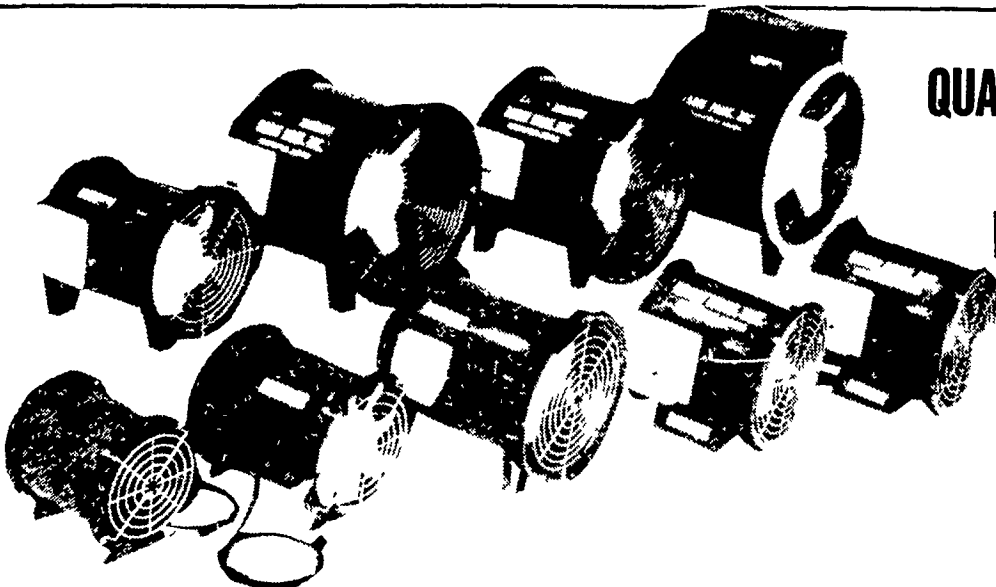
PETERMAN FARM EQUIPMENT, INC.

225 York Rd
Carlisle PA
717-249-5338

GC-140 Grain Cleaner

- Self-Contained
- Elevating Paddles
- Construction
- Power-Drive
- Mobility
- Fines Removal

CLEANED GRAIN DRIES FASTER AND KEEPS BETTER



QUALITY AERATION AND BIN DRYING SYSTEMS



EMHERR
EQUIPMENT, INC.
FARM & HOME SUPPLY
R D 1 RTE 272 SOUTH, HERRVILLE RD
WILLOW STREET PA
Phone: (717) 464-3321

FULL LINE PARTS DEPARTMENT

★
WE SELL, SERVICE AND INSTALL

