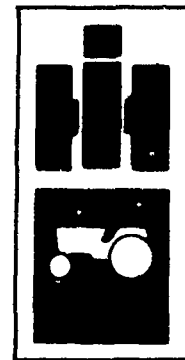
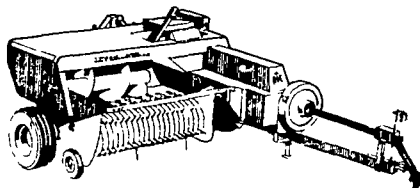
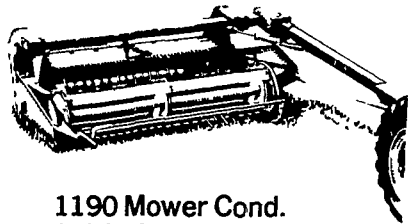

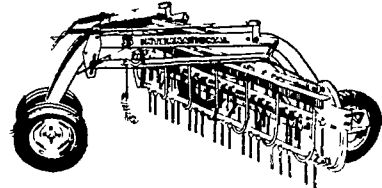
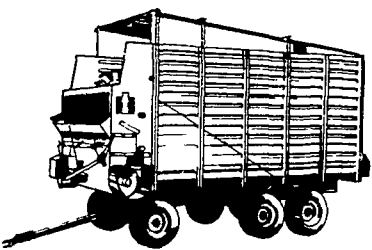
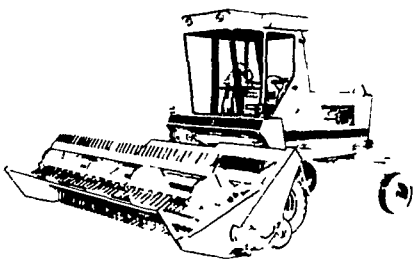
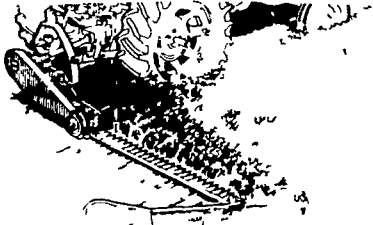
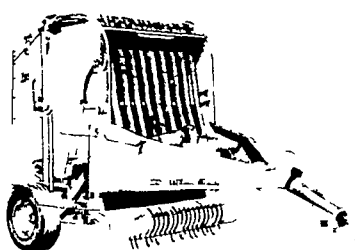


# BEAT HIGH PRICES WITH **IH** WAIVER OF FINANCE HAY & FORAGE



 <p>425, 435, 445 Balers *Up to 19 Ton Per Hr. *Near Perfect Tying</p>	 <p>1190 Mower Cond. *7' &amp; 9' models *Vertical &amp; Horizontal float *Hyd. Steering (Ava.)</p>	 <p>720 &amp; 830 Forage Harv. *12 Knife Cutterhead *Quick Attach Units *Electric Controls *Hyd. Knife Sharpener</p>	 <p>#35 Rake *Ground Drive *Hyd. Drive *Clean Raking &amp; Tedding</p>
 <p>Forage Box * 120/130 Forage Boxes *Holds up to 8 ton silage *2 speed fast apron drive *Big 16" Auger unloads fast</p>	 <p>5000 Windrower *Auto. Steering *Overshot Auger *12' x 14' Header</p>	 <p>#1300 Mower *Operates above and below ground level *Simple drive, only three moving parts *Wrist-action balance head drive</p>	 <p>2400 Big Round Baler *Up to 500 lb. Bales *Soft Center-Better Curing</p>

**SAVE \$ \$ \$ \$ \$ \$ NOW**

**\* IH WAIVER-OF-FINANCE PROGRAM**

EQUIPMENT NEW & USED*	BUY NOW OR UP UNTIL:	WE'LL WAIVE FINANCE CHARGES UNTIL:
IH Balers	8-31-80	4-1-81
IH Mower Conditioners	8-31-80	4-1-81
IH Forage Harvesters	8-31-80	4-1-81
IH Rakes	8-31-80	4-1-81

\* Check IH Dealers for Details on Used  
\* When financed through the International Harvester Credit Corporation for at least 12 months.

**\* IH WAIVER-OF-FINANCE PROGRAM**

EQUIPMENT NEW & USED*	BUY NOW OR UP UNTIL:	WE'LL WAIVE FINANCE CHARGES UNTIL:
IH Forage Wagons	8-31-80	4-1-81
IH Windrowers	8-31-80	4-1-81
IH Mowers & Wagons	8-31-80	4-1-81
IH Big Round Baler	8-31-80	4-1-81

\* Check IH Dealers for details on Used  
\* When financed through the International Harvester Credit Corporation for at least 12 months.

**SEE THESE DEALERS FOR FULL DETAILS  
AND SAVE PRICE INCREASES - SAVE \$ - BUY NOW**

**CLARENCE WILSON & SONS**  
Kimberton, PA  
215-933-3581

**MECKLEY-DALMATIA**  
Dalmatia, PA  
717-758-3021

**R.S. HOLLINGER & SON**  
Mountville, PA  
717-285-4538

**HERITAGE INTERNATIONAL, INC.**  
1054 S. State St.  
Ephrata, PA  
717-733-2283

**BIGGS INCORPORATED**  
34 Buckley Ave.  
Rising Sun, MD  
301-658-5531

**C & W EQUIPMENT, INC.**  
260 York Rd.  
Carlisle, PA 17013  
717-243-4419

**STAMBAUGH INTERNATIONAL INC.**  
New Bloomfield, Pa.  
717-582-2411

**MELVIN J. SHEFFER, INC.**  
121 Railroad Street  
Hanover, PA  
717-637-3808

**HICKORY INTERNATIONAL INC.**  
Route 1 Hickory  
Bel Air, MD  
301-838-4200

**C.B. HOOBER & SON**  
Intercourse, PA  
717-768-8231

**LAMB'S FARM MACHINERY**  
Thorndale, PA  
215-269-2676

**VOUGH & SONS, INC.**  
Bangor, PA  
215-588-5922

**SWOPE & BASHORE, INC.**  
Myerstown RD 1 (Frystown)  
717-933-4138

**MESSICK FARM EQUIP.**  
Rheems Exit Rt. 283  
Elizabethtown, PA.  
717-367-1319

**COPE & WEAVER CO.**  
New Providence, PA  
717-786-7351

**M & R EQUIPMENT, INC.**  
New Park, PA  
717-993-2511

**WM. HOBENSACK'S SONS**  
1060 Greeley Ave.  
Ivyland, PA  
215-675-1610  
215-343-2101

**ERB & HENRY EQUIP., INC.**  
22-26 Henry Ave.  
New Berlinville, PA  
1 Mile North of Boyertown  
215-367-2169

**L.L. ECKROTH FARM EQUIP., INC.**  
RD 2, New Ringgold, PA  
717-943-2367

**LEHIGH INTERNATIONAL, INC.**  
12 Oak Wood Lane  
Schnecksville, PA 18078  
215-767-1188

