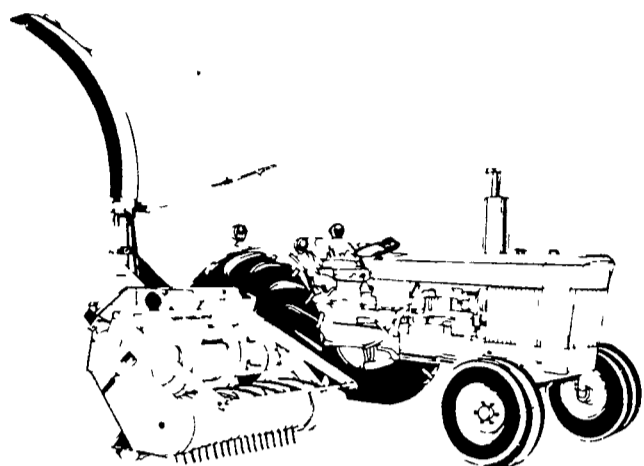
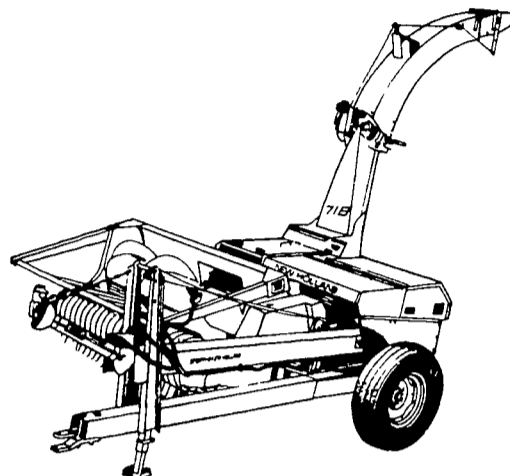


Quality haymaking begins with

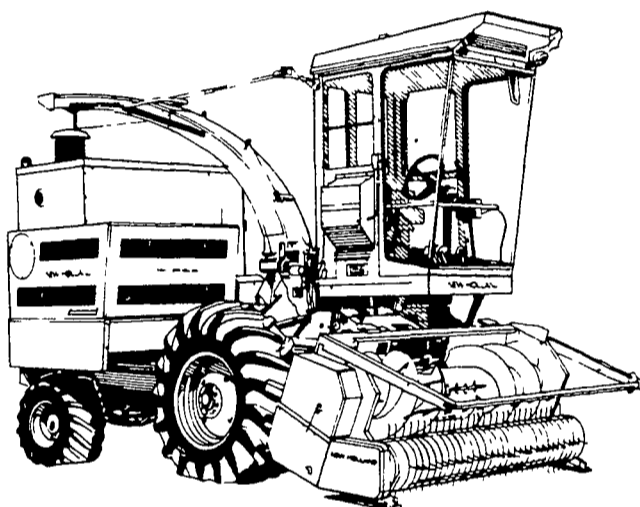
SPERRY  NEW HOLLAND



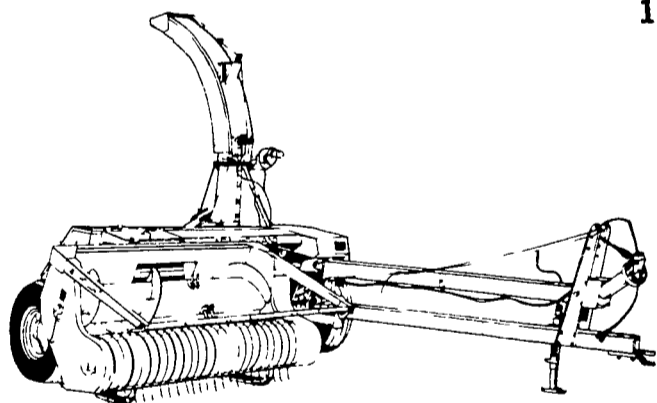
707 Forage Harvester



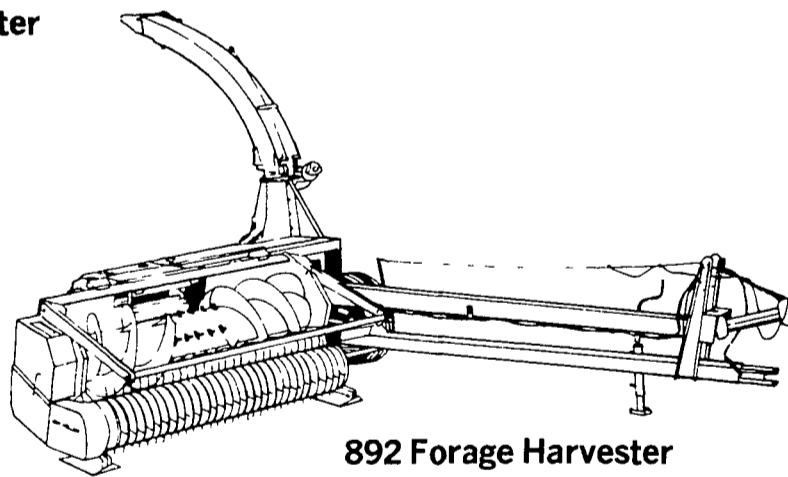
718 Forage Harvester



1895 Forage Harvester



782 Forage Harvester



892 Forage Harvester

ASK YOUR DEALER ABOUT THESE FEATURES:

- UNDER BEVELED KNIVES - NEVER NEED REBEVELING (All models except 707)
- FLIP-UP FEED ROLLS - EASY SHEARBAR ADJUSTMENT (All models except 707)
- BIG CHOICE OF CROP HEADS - (All models)
- ELECTRONIC METAL DETECTOR (Optional on 892; Standard on 1895)
- UNDER KNIFE BAFFLES - INCREASE CAPACITY (Model 892 and 1895)

YOUR NEAR-BY SPERRY NEW HOLLAND DEALER WILL BE HAPPY TO DEMONSTRATE THESE AND OTHER NEW HOLLAND EQUIPMENT ON YOUR FARM. CALL HIM TODAY. HE'S LISTED ON THE FACING PAGE.

SPERRY  NEW HOLLAND