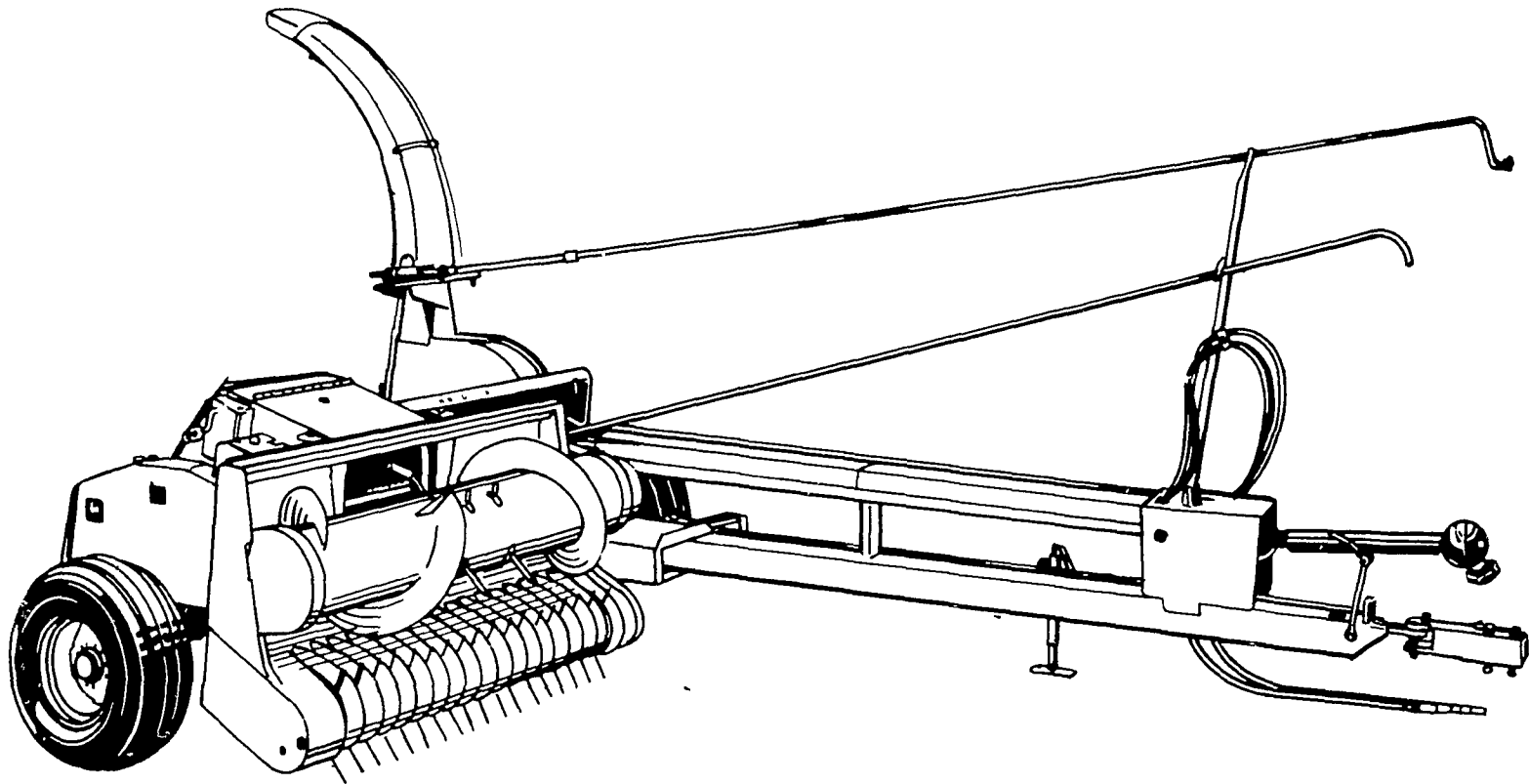


# BONUS 1980

**Last chance: the \$50 to \$400  
John Deere Money Bonus Program for  
this equipment must end May 31**



Until the end of May, you can qualify for \$50 to \$400 in John Deere money. All you need do is order from this list of John Deere Disks, Chisel Plows, Balers, Mower/Conditioners and Pull-Type Forage Harvesters. Price protection applies from the day you order. Look over the many models and sizes

available. There's one right for your acreage and needs. And your bonus in John Deere money will be mailed promptly after you take delivery. You can spend John Deere money for goods or services in our store.

You'll be expected to take delivery of the equipment as soon as it's available.

**BUYER BONUS IN JOHN DEERE MONEY FOR NEW EQUIPMENT ORDERS SIGNED DURING:\***

EQUIPMENT:	MAY '80
<b>DISKS:</b>	
111 and 115	\$ 50
210, 215, 310, 315, 340, 1630	\$100
220, 230, 235, 350, 440 455, 1640	\$150
331 and 360	\$250
370	\$350
<b>CHISEL PLOWS:</b>	
1610 Integral Rigid, 1610 Drawn Rigid (11- thru 17-foot)	\$ 50

1610 Drawn Rigid (19- thru 23-foot), 1610 Drawn Flexible (23- thru 27-foot)	\$125
1610 Drawn Flexible (29- thru 41-foot)	\$200
1650 Folding	\$400
<b>BALERS:</b>	
All Square and Round Balers	\$150
<b>MOWER/CONDITIONERS:</b>	
1207, 1209 and 1380	\$200
<b>FORAGE HARVESTERS:</b>	
Pull-Type 3940	\$200
Pull-Type 3960	\$275

\*These offers are subject to machine availability



**A.B.C. GROFF, INC.**  
New Holland, PA  
717-354-4191

**ADAMSTOWN  
EQUIPMENT INC.**  
Mohnton R D 2 PA  
(near Adamstown)  
215-484-4391

**AGWAY INC.**  
Chapman Equipment  
Center  
Chapman, PA  
215-398-2553

**DON CHESKE  
BROTHERS, INC.**  
Hackettstown, NJ  
201-852-4488

**CLUGSTON  
IMPLEMENT, INC.**  
Chambersburg, PA  
717-263-4103

**J.S. COVERT & SONS**  
Neshanic Station, NJ  
201-369-5241

**EDWARDS & COX**  
Oxford PA  
215-932-2929

**EVERGREEN TRACTOR  
CO., INC.**  
Lebanon, PA  
717-272-4641

**FOSTER EQUIPMENT  
SALES**  
Elmer, NJ  
609-769-1535

**H.R. GUTSHALL  
& SONS, INC.**  
Carlisle, PA  
717-249-2313

**ROBERT G. HAMPTON,  
INC.**

Shiloh NJ  
609-451-9520

**I.G. SALES**

Silverdale, PA  
215-257-5136

**JOHNSON BROS.**  
Kresgeville, PA  
215-681-4766

**KERMIT K. KISTLER INC.**  
Lynnport PA  
215-298-2011

**LANDIS BROS. INC.**  
Lancaster, PA  
717-291-1046

**ROBERT E. LITTLE INC.**  
Zieglerville PA  
215-287-9643

**NEUBAUER'S INC.**  
R D 2, York PA  
183 Loganville Ext 3  
717-428-1953 or 235-1306

**PARKHURST FARM  
& GARDEN SUPPLY**  
Hammonton, NJ  
609-561-0961

**PIKEVILLE EQUIPMENT  
INC.**  
Oyster Dale Road  
Oley RD2, PA  
215-987-6277

**GEORGE V. SEIPLE & SON**  
Easton, PA  
215-258-7146

**SHOTZBERGER'S  
EQUIPMENT**  
Elm, PA  
717-665-2141

**SMITH'S IMPLEMENTS,  
INC.**  
Mercersburg, PA  
717-328-2244

**WENGER IMPLEMENT, INC**  
The Buck-Quarryville, PA  
717-284-4141

**WOODHULL EQUIPMENT,  
INC.**  
Medford, NJ  
609-654-2011

**M.S. YEARDLEY & SONS**  
West Chester, PA  
215-696-2990