



Marvin Herr, owner and son Dennis (right) are proud to announce the Grand Opening of their new Farm & Home Supply Store. See Page C35 for story.

# GRAND

## FRIDAY MAY 16

7:30 AM to 9 PM

**FREE**

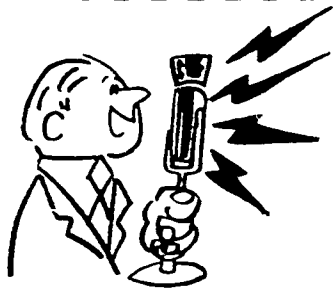
**COFFEE, DONUTS, PUNCH  
PEANUTS & BALLOONS for the KIDS**

**DOOR PRIZES**

EVERY HOUR  
Values Up to \$100!

**SPECIAL FEATURE On FRIDAY NIGHT** 5 PM to 8 PM

**BILL QUAY & DANDELION** from Radio Station  
**WIOV** will Be Broadcasting **LIVE**  
From The Store



# EMH

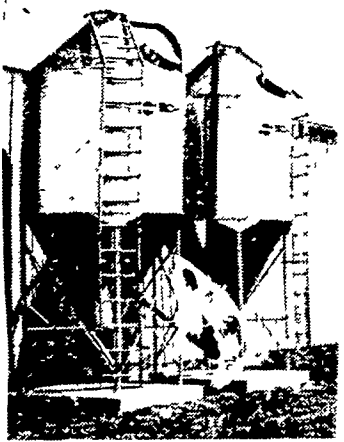
**EQUIPMENT**

**FARM & HOME**

★ SALES — SERVICE

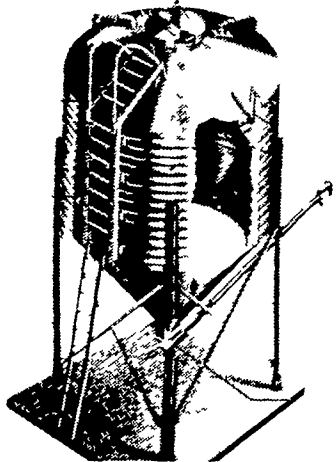


### SCHULD FEED BINS



4 TON & 7 TON IN STOCK  
2 DAYS ONLY **20% OFF**

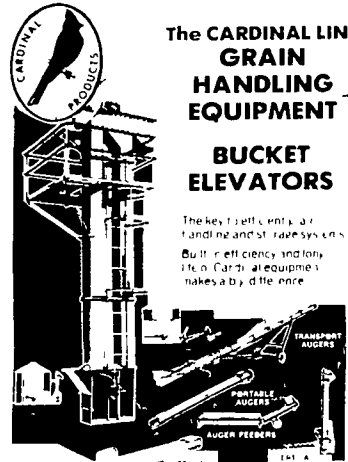
### READ FEED BINS



4 TON TO 24 TON  
2 Days Only: **25% OFF**

### CARDINAL TRANSPORT AUGERS

2 Days Only: **25% OFF**



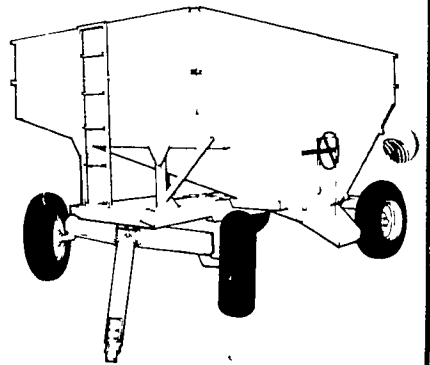
The **CARDINAL LINE**  
**GRAIN HANDLING EQUIPMENT**  
**BUCKET ELEVATORS**  
The key to getting the most out of your grain handling and storage system is built in efficiency and longevity. Cardinal equipment makes a big difference.  
Your **CARDINAL MECHANIZATION CONTRACTOR**  
**CARDINAL AUGER PARTS**  
2 Days Only: **20% OFF**

### KORY GRAVITY BOX

Model S-165  
• Silos - 7 ga. • 165 Bu.  
• 970 lbs. • Heavy  
• 60" Height Duty

Reg. Price \$459.95

Special Price  
2 Days Only! **\$429.95**  
Less Wagon & Tires



### RUNNING GEAR

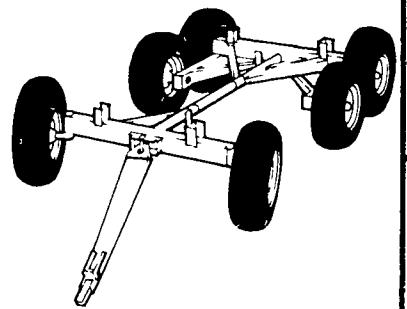
• Adj Tongue  
• Adj Wheel Base  
• 6 Bolt Hubs

10 Ton - Reg. Price \$549.95

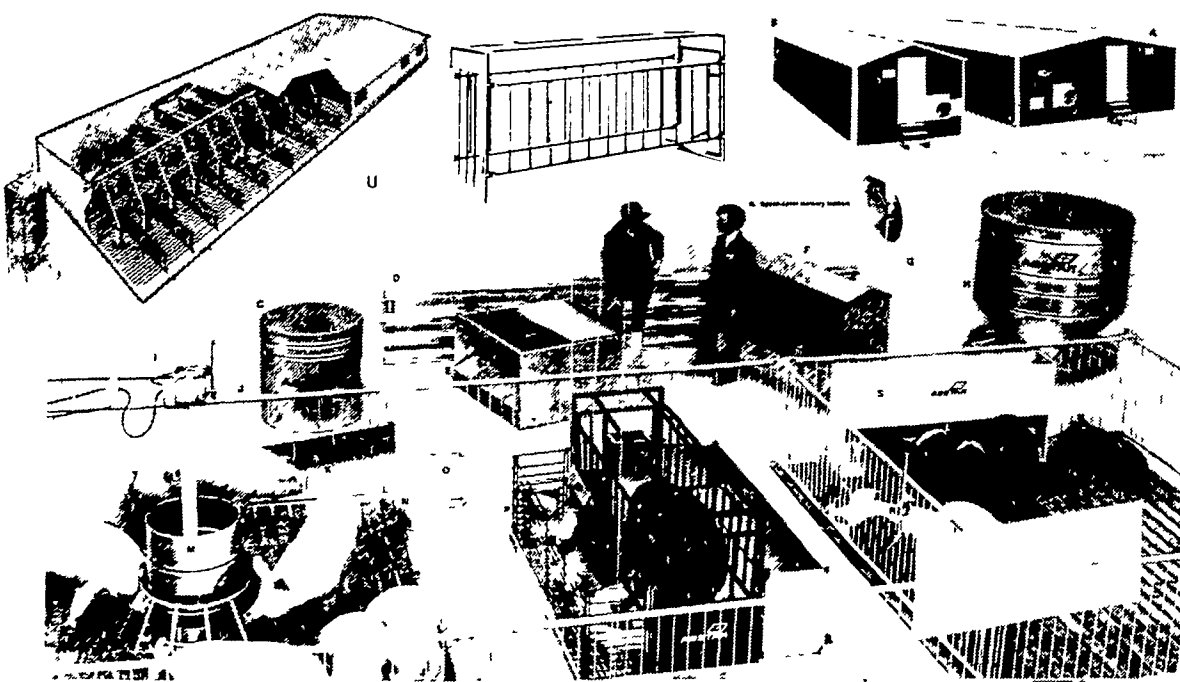
Special Price  
2 Days Only **\$489.95**

8 Ton - Reg. Price \$449.95

Special Price  
2 Days Only **\$398.95**



## AGSTAR HOG AND CALF EQUIPMENT



**20% OFF**  
(Does not apply to buildings)

- A Modular 24 ft wide farrowing finishing & gestation buildings
- B Modular 12 ft wide farrowing nursery & gestation buildings
- C Lot or pasture fountains
- D Hog lot gates & partitions
- E Heavy duty hog & cattle waterers
- F Big capacity feeders
- G Ventilation equipment
- H Round feeders
- I Feed delivery systems
- J Galvanized vertical pen partitions
- K Hog troughs
- L Porcelainized Steel slats
- M Pottery feeders
- N Porcelainized watering cups
- O Baby pig feeders
- P Farrowing stalls & pens
- Q Pig heaters
- R Nipple waterers
- S Space saver nursery feeders
- T Flex auger systems & feed bins
- U Gestation stalls & buildings
- V Soft Grip Flooring
- W Flat Deck Nursery
- X Concrete & Fiberglass Slats

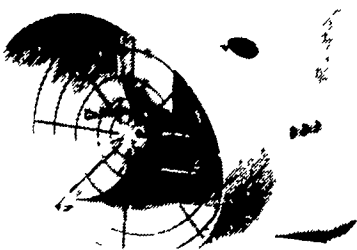
**20" AGSTAR FAN**  
With Modulator  
Special Price - 2 Days Only **\$249.00**

**24" AGSTAR FAN**  
With Modulator  
Special Price - 2 Days Only **\$260.00**

**AAA FIBERGLASS FANS**



AAA Associates, Inc.



### WOVEN FENCING

Height	Stay Space	Filler GA	Reg Price	Special Price 2 Days Only
47"	12	12½	\$ 63.49	\$ 57.99
47"	6	12½	\$ 80.99	\$ 70.99
47"	12	11	\$ 81.49	\$ 71.99
47"	6	11	\$109.00	\$ 99.69
39"	12	12½	\$ 54.49	\$ 49.99



### T POSTS

5½ Ft. Reg \$2.29  
Special Price 2 Days Only **\$1.99**

6 Ft. Reg \$2.39  
Special Price 2 Days Only **\$2.19**

6½ Ft. Reg. \$2.69  
Special Price 2 Days Only **\$2.39**

- ★ WELDED WIRE
- ★ ELECTRIC WIRE
- ★ INSULATORS
- ★ ELECTRIC FENCERS
- ★ BARB WIRE

Homelite AP215  
Centrifugal Pump



Special Price - 2 Days Only  
**\$164.49**

Spec  
Cent  
Pum