

FARM EQUIPMENT

FARM EQUIPMENT

FARM EQUIPMENT

FARM EQUIPMENT

**HYDRAULIC REPAIRS
CYLINDERS • JACKS
PUMPS • CAB JACKS
BEARTOWN HYDRAULICS**

**New and Used Equipment
Narvon, PA
Rt. 322 Midway
between Honey Brook & Blue Ball
Phone 717-354-5649**



WILLMAR SPREADERS

Spreader tender combinations
5, 6, 8 ton units
Mild or stainless steel construction
Heavy construction with continuous welding
Spread pattern leader
Stainless steel bottom and drag chain
Truck mounted tenders and spreaders

Distributed by:
C.U. STOLTZFUS MFG. INC.
Morgantown, Pa. 19543
Phone 215-286-5146

NEW TRACTORS

IHF 986 D
IHF 886 D
IHF 686 D

USED TRACTORS

IHF 966 D
IHF 1066 D

EQUIPMENT

Gehl CB 1200 F Harvester, TR 330 corn head, HA 1000 Pick-up, 6 ft., like new

***\$500
WHITE BROS.
SUPPLY CO.
Middletown, DE
302-834-5177
378-9555**

16-18 ft Flatbed wagons
16-18 ft Bale thrower wagons
6-8-10 ton wagons gears
Hay racks, bunk feeder and hay rack combination
Pipe gates, hog firing crates
Calf hutches
Also other steel and wood products made

**BELL ROAD
WAGON SHOP**

R1 Box 280 Bell Rd
Christiana, PA 17509
1 mi East of Ninepoints
and Rt 896 on Bell Road,
8 mi South of Quarryville



Massey Ferguson

**SEE LAST WEEK'S ISSUE FOR
OUR SPECIAL
INVENTORY REDUCTION SALE
OF NEW & USED EQUIPMENT
SECTION B18**

M.M. WEAVER & SONS, INC.

LEOLA, PENNA. 17540
PHONE: 717-656-2321

Located: 4 miles west of New Holland on Route 23, one and one-half mile northeast of Leola, on the North Groffdale Road, one mile on the right, opposite Groffdale Mennonite Church



SPERRY-NEW HOLLAND
OUR POLICY ON MACHINERY, PARTS & SERVICE
• QUALITY FIRST • AT A FAIR PRICE

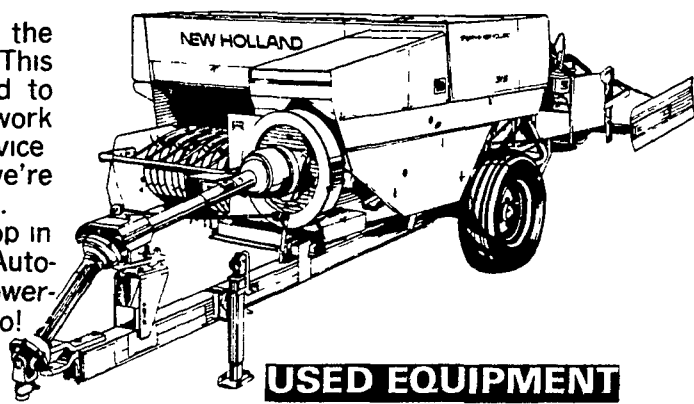


**Get a great deal on
Sperry New Holland balers and hay tools!**

Stop in and get a great deal on the Sperry New Holland Model 315 Baler. This 14"x18" baler is built extra rugged to handle tough crops. It's designed to work hard and give years of dependable service

Now's the time to buy because we're moving our complete stock of hay tools.

Already have a new baler? Then stop in and see our Sperry New Holland Automatic Bale Wagons and Mower-Conditioners. They're priced to sell, too!



**Call For A
No Obligation
Free Demonstration**

WAIVER OF FINANCE

- ★ All New & Used Forage Equipment
- ★ Harvesters - with Row Crop Head till August 1, 1980
- ★ New & Used Spreaders & Grinder-Mixers till Sept. 1, 1980

USED EQUIPMENT

Gleaner E Combine w/3 Row 30" Corn Head & Grain Head
McConnell forage Wagon, 3 Beater, w/Roof
Case 955 S.P. Windrower w/10 Ft. Head
NH 461 Haybine
N.H. 328 Spreader w/ Hydraulic Endgate (Like New)
N.H. 365 Tank Spreader (Ex. Cond.)
(3) N.H. 273 Balers w/ Engines
Ford 532 Baler w/Engine

Several other New Holland Balers
Hesston PT-10 Mower Conditioner
320 N.H. Baler w/thrower (Ex. Cond)
Several other good used spreaders
751 N.I. Hayconditioner
850 N.H. Round Baler Excel. Cond.
676 N.H. Spreader
340 Farmall Utility tractor w/Loader
Farmall M Tractor

AUTHORIZED
SPERRY-NEW HOLLAND
PARTS and SERVICE



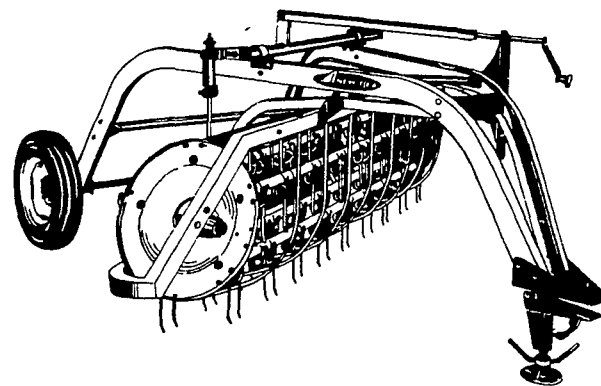
STARLINE
**SALES & SERVICE
PARTS & EQUIPMENT**
L. H. BRUBAKER, INC.

350 Strasburg Pike, Lancaster, PA

Phone: 717-397-5179

**CALL OUR
FRIENDLY
SALESMAN
BOB GANTZ**

717-397-5179
or 687-6002
Or Call His Home
653-5020 anytime



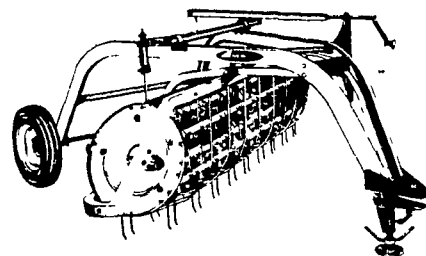
NEW HAY EQUIPMENT

NI 402 Bar rake with rubber flex teeth & caster wheels \$1550
NI 279 9' cutditioner \$3925

L.L. ECKROTH FARM EQUIPMENT, INC.
Rd 2, New Ringgold, PA
717-943-2367



**NEW
HAY
EQUIP.**



Priced To Sell ...

- (3) NI 404 WHEEL RAKES
40 Inch Wheels **\$1125.00**
- NI 402 BAR RAKE
With Rubber Matted
Teeth and Caster Wheel .. **\$1550**
- (2) - NI 299
MOWDITIONERS **\$4795.00**
- (2) - NI 279 9'
CUTDITIONERS **\$3925.00**
- 456 ROUND BALER **\$6995**

SHARTLESVILLE FARM SERVICE RD 1, Hamburg, PA
215-488-1025
H. Daniel Wenger, Prop.



USED EQUIPMENT

TRACTORS
IH 656 diesel WF
IH 140 w/mower Woods
IH 404 w/cultivator
JD 2640
Oliver Super 88
JD A old style
JD 1520 w/loader
IH Super H

**PLANTING
EQUIPMENT**

JD 110 12' disc
JD AW disc
JD 246 corn planter
JD 494A planter

**NEW EQUIPMENT
SPECIALS**

1-11' 3 Landoll
Soilmaster
1-12' Taylorway chisel
plow
1-160 bu. Badger
spreader

PIKEVILLE EQUIPMENT, INC.

R.D. 2, Oley, PA
Phone: 215-987-6277

Serving the Oley Valley Since 1936

**MISCELLANEOUS
EQUIPMENT**

3 pt. cultivator
3 pt. rotary mower
JD 3 row corn head
Dump wagon
Grove forage box
w/gear
JD 4B corn sheller
MC chopper

**HARVEST
EQUIPMENT**

AC model A SP
Combine w/3-row corn
head & grain plat-
form
New Idea Uni System
model 702 w/13'
w/grain platform
w/corn picker
w/sheller att.