

# WHAT'S NEW

## 30 hp diesel tractor

A mid-size diesel for the grounds maintenance and farm markets, the high-performance, fuel-efficient Satoh Bison has a water-cooled 4-cylinder 79.6 cubic inch diesel engine which

delivers 30hp at 2700 engine rpm, with a traveling speed range of 1.00-13.42 mph.

It comes equipped with a standard Category I 3-point linkage, live hydraulics (including draft, position

and flow control and lift lock), a dual-range 8-speed selective sliding gear transmission, dual-clutch live pto (540 and 1000rpm), a swinging drawbar, full instrumentation, and power steering on the 4-wheel drive model. Standard safety features include a pto shaft guard, a safety starter switch, and ROPS tap holes.

It also comes equipped with

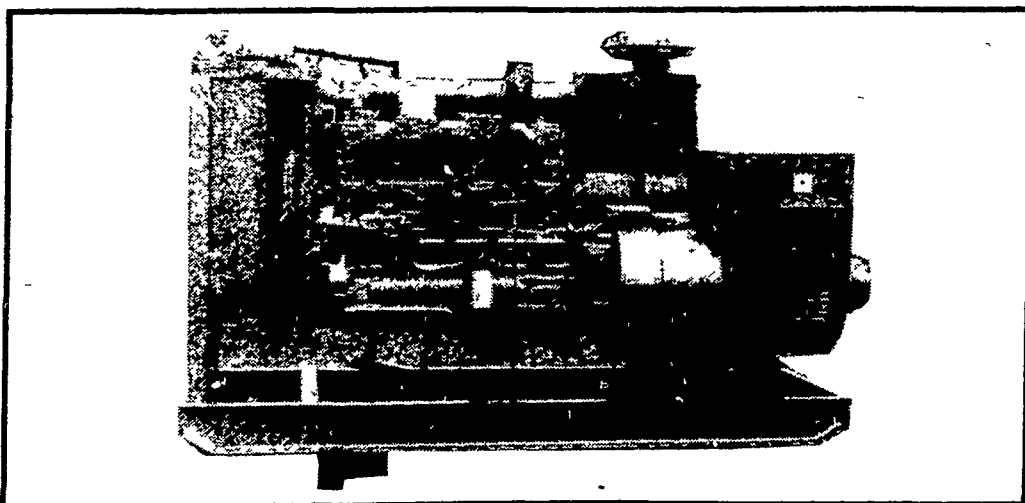
agricultural tires and can accommodate a wide range of front, mid and rear mounted implements. A vertical muffler directs engine exhaust and noise away from the operator, and the driver work station has been designed with easy-to-reach controls and a large contoured foam rubber seat for operator comfort and convenience.

# BALANCED DESIGN ELECTRIC POWER SYSTEM

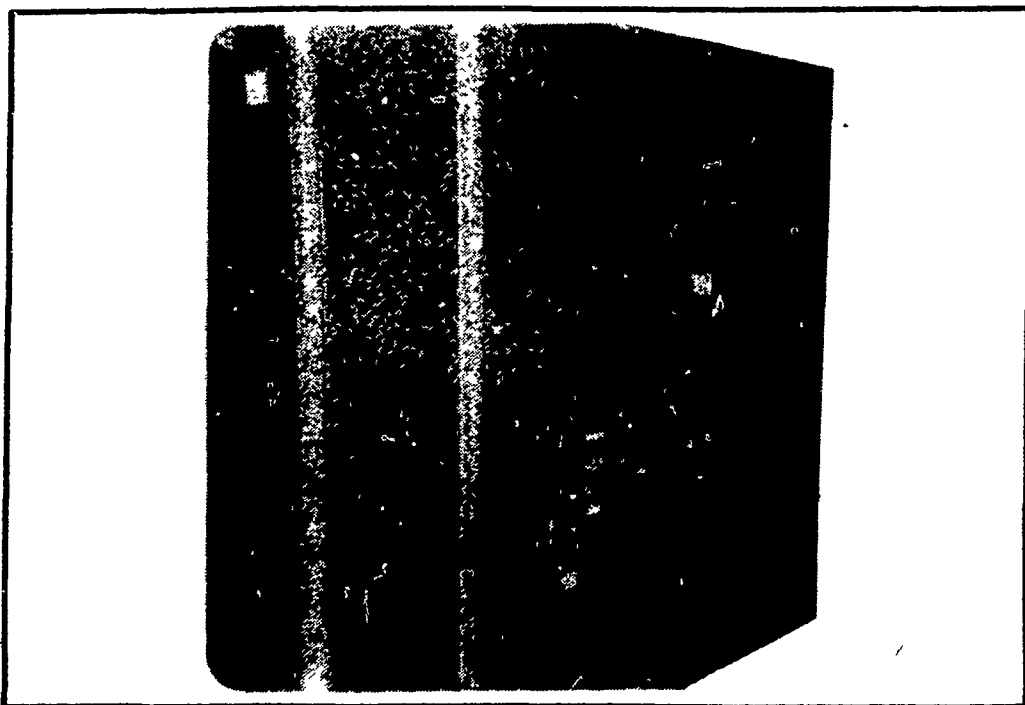
## Designed and Manufactured by, MARTIN'S MACHINERY

For Emergency or Prime Power 1 to 1000 KW  
BALANCED DESIGN to Give You Peak Performance  
for Your Application:

- FARM • INDUSTRIAL • COMMERCIAL • RESIDENTIAL



210 KW Cummins Diesel



1200 amp Switch Gear

### CHECK THESE FEATURES:

- Balanced Designed for greater motor starting ability per dollar invested.
- Frequency of R.P.M. modulated Voltage Regulator permits load to be applied at the same rate the engine can take the load without stalling. Results in peak motor starting capabilities per engine H.P. Also easier on electric motor windings.
- Cycle cranking control
- Overload Protection
- Under Frequency Protection
- Brushless Alternators
- Single phase wound or combination multiphase windings.

We Also Have Special Designed Switch Gears  
Manufactured by Westinghouse to Our Specifications

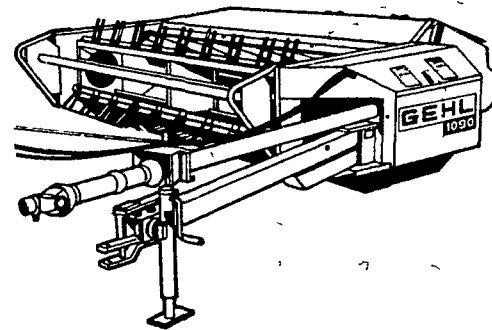
# MARTIN'S MACHINERY

P.O. BOX 35, MARTINDALE, PA 17549

Bus. Ph: 215-445-4800

Res: Ph: 215-267-7771

# Leave windrows high and dry



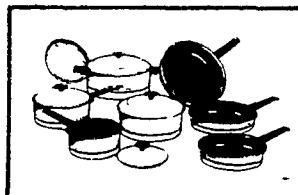
Gehl's new mower conditioners, with "Leaf Saver" conditioning rolls, leave high, fluffy windrows for fast drying. You'll get clean, uniform cuts, even in down and tangled crops. Rugged unitized construction. Smooth torsion bar suspension. All-gear main drive. Choose from two models 7'3" or 9'3" cutting widths. See these new Gehl mower conditioners today!



Char Broil gas grill



Toro trimmer



West Bend cookware & griddle set

# FREE!\*

\*Choose a FREE gift—worth up to \$200—when you buy a new Gehl mower conditioner!

Cash in on this special Spring Fever offer from Gehl! Select one of these valuable gifts when you buy a new Gehl mower conditioner between March 1 and May 31, 1980. You'll get Gehl's rugged dependability, high productivity, and a gift from Gehl worth up to \$200! Stop by today!

# GEHL®

# SPRING FEVER

Catch it!

### PEOPLE'S SALES & SERVICE

Oakland Mills, PA  
717-463-2735

### N.G. HERSHEY & SON

Manheim, PA  
717-665-2271

### A. L. HERR & BRO.

Quarryville, PA  
717-786-3521

### S. JOHNSON HURFF

Pole Tavern  
Monroeville, NJ  
609-358-2565 or  
609-769-2565

### STOUFFER BROS. INC.

Chambersburg, PA  
717-263-8424

### ARNETT'S GARAGE

Rt 9 Box 125  
Hagerstown, MD  
301-733-0515

### UMBERGER'S MILL

Rt 4 Lebanon, PA  
(Fontana)  
717-867-5161

### ZOOK'S FARM STORE

Honey Brook, PA

### BINKLEY & HURST BROS.

133 Rothsville Station Road  
Litz, PA  
717-626-4705

### AGWAY, INC.

Chapman Equip. Center  
Chapman, PA  
215-398-2553

### KING'S TOWN

### TRACTOR CO., INC.

Rt. 213 South  
Chestertown, MD  
301-778-1640

### CHAS. J. MCCONSEY & SONS

Hickory Hill, PA  
215-932-2615

### WERTZ GARAGE

Lneboro, MD  
301-374-2672

### LEBANON VALLEY

### IMPLEMENT CO., INC.

Richland, PA  
717-866-7518

### CLAIR J. MYERS

Lake Road RI  
Thomasville, PA  
717-259-0453

### COLUMBIA CROSS ROADS EQUIP.

RD 2 Box 62  
Columbia Cross Roads, PA  
717-297-3873  
717-297-2991

### PETERMAN FARM EQUIPMENT, INC.

225 York Rd.  
Carlisle, PA  
717-249-5338