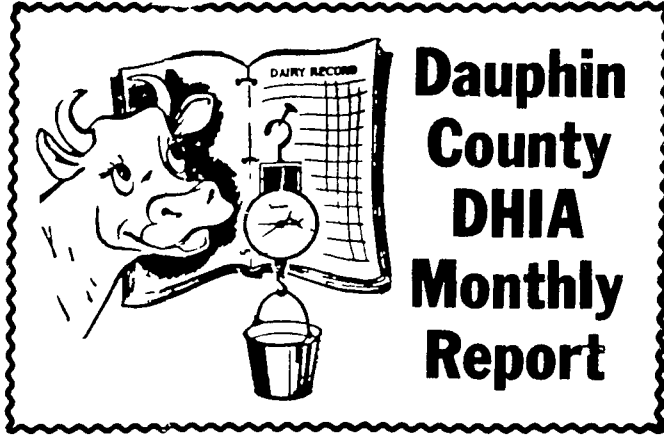




**READ
LANCASTER FARMING
FOR COMPLETE
AND UP-TO-DATE
MARKET REPORTS**



Dauphin County DHIA Monthly Report

Dauphin County DHIA March, 1980

The following are Dauphin County DHIA herds with daily herd averages above 10 pounds fat

OWNER	BREED	NO. COWS	% DAYS IN MILK	LBS MILK	% FAT	LBS. FAT
Robert J Schaffer	H	59 7	90 9	59 8	3 7	2 20
Restful Acres	H	59 6	92 9	50 8	3 8	1 95
Roy M Brubaker	H	56 8	89 8	55 5	3 5	1 92
Earl Campbell	H	57 0	92 3	44 7	4 3	1 91
Paul L Crissinger	H	73 2	91 7	48 1	4 0	1 90
J Richard Alwine	H	47 1	95 6	47 8	3 8	1 84
Larry L Boyer	H	25 5	84 3	50 5	3 6	1 83
Conewago Farms	H	80 0	85 7	47 0	3 7	1 76
Lytle Farms Inc	H	99 9	95 2	48 4	3 5	1 70
Catalpa Farms	H	101 9	94 3	42 4	4 0	1 70
Calvin B Mauser	G	72 5	90 4	36 3	4 7	1 69
J Melvin Brandt	H	74 0	82 2	42 8	3 9	1 69
E Hoffman Pegmar	H	27 9	95 3	42 4	4 0	1 69
Great View Farms	H	43 0	87 6	44 9	3 7	1 67
Elwillo Farms	Mix	97 3	90 4	40 3	4 1	1 65
Stanley R Long	H	69 1	86 1	43 3	3 8	1 64
Earl E Keefer	A	81 9	88 9	39 5	4 1	1 63
Mahlon L Lehman	H	50 0	90 6	41 1	3 9	1 61
Wilmer Campbell	G	60 0	81 3	35 8	4 5	1 61
Lauden Farms	H	101 8	88 8	40 4	3 9	1 58
John Hertzler	H	67 6	88 9	41 5	3 7	1 54
R H Beach, Jr	H	46 3	72 4	38 0	4 1	1 54
D Miller Deemar	H	41 0	82 5	39 1	3 9	1 51
F G Wagner	Mix	46 0	80 7	36 0	4 1	1 48
Stoney Lawn Farms	H	107 9	78 5	37 5	3 9	1 46
Harold M Nissley	H	42 9	74 5	37 8	3 8	1 45
Lee R Sweigard	H	23 0	86 3	37 8	3 8	1 43
J Melvin Brandt	H	72 5	74 7	37 4	3 8	1 43
Robert Oellig	Mix	34 0	82 0	34 0	4 0	1 37
Walter Schaffer	H	39 9	86 6	35 0	3 9	1 37
Stanley Wilt	H	52 0	90 8	37 2	3 7	1 36
James Leshner	H	37 0	74 1	34 2	4 0	1 36
Henry Keiter	H	39 7	82 3	35 8	3 8	1 35
Floyd Feidt	Mix	80 5	88 1	33 3	4 0	1 34
F Wagner, Jr	Mix	46 6	87 9	34 7	3 9	1 34
Mrs E-Mike Zell	H	45 6	89 5	40 1	3 3	1 34

Lancaster Farming, Saturday, April 19, 1980—D11

I K Newswanger	H	49 2	73 9	34 2	3 9	1 33
John Roy Book	H	51 6	79 4	31 7	4 1	1 31
Lebo Brothers	G	36 9	71 0	27 4	4 7	1 30
Sher Mar Acres	H	44 9	76 6	31 0	3 8	1 19
Gary E Miller	H	61 4	73 1	29 2	4 0	1 18
Bryncoed Fm Jersey	J	129 3	84 0	20 2	5 7	1 15

OWNER NAME OR NO	AGE	LBS. MILK	% FAT	LBS. FAT
Bryncoed Farm Jersey				
105	6 2	11,063	4 8	534
145	5 5	10,467	5 0	526
213	4 2	10,078	5 1	509
John Hertzler				
Lott	7 2	13,446	4 3	575
Shirley	8 1	19,170	3 4	652
Bo	7 7	18,905	3 2	614
Conewago Farms				
Terry	8 7	14,713	3 8	565
R Janic	2 1	14,064	3 7	524
Lisa	2 2	14,602	3 8	553
Earl E Keefer				
Maryann	11-6	12,295	4 6	571
Hope	7-9	15,887	3 9	613
Jill	7 8	14,159	4 1	574
Brenda	5 9	15,023	4 3	651
April	7 9	13,473	3 9	529
Audrey	2 6	13,049	4 3	564
Noel	2-5	12,325	4 4	538
Robert Oellig				
Brownie	6 5	13,365	5 3	713
Calvin B Mauser				
Hedda	4-11	12,729	4 4	558
Ritzzy	3-2	10,728	4 9	525
Marian	2 1	12,535	4 5	562
Robert J Schaffer				
Stella	10-6	13,302	4 2	565
Janice	7-8	15,893	4 0	635
Lebo Brothers				
Anita	4 9	10,530	5 4	572
John Roy Book				
Missy	8-4	15,025	3 7	556
Rocky	5 4	22,058	3 3	725
Anna	4-1	17,554	3 3	587
Stoney Lawn Farms				
Heidi	3-11	18,298	3 0	545
Lytle Farms Inc				
Destiny	2 1	17,075	3 3	557
Paul L Crissinger				
Sonya	6-4	17,307	3 5	614
Avice	4 6	15,957	4 3	680
Blacky	3-5	17,011	3 3	564
Quinty	3 4	17,358	3 3	579
Mahlon L Lehman				
Thelma	3 4	14,758	3 6	531
Walter Schaffer				
G 7	6-0	17,089	3 4	576
J Melvin Brandt				
Penny	8 3	14,529	3 8	552
Daisy	6 8	14,885	3 7	548
Millie	5 0	16,797	3 6	604
Beth	4-10	19,816	3 8	762
Tiny	2-9	14,198	3 9	548
Stacy	3-4	19,309	3 7	715
Cara	3 6	12,775	4 0	510

(Turn to Page D12)

KEROSUN PORTABLE HEATER OMNI 15

The versatile personal, "take-me-anywhere" heater. The weight is only 11 lbs. Carry it along to the work shop, garage, cow barn to keep warm while you work. Great for camping.

Burning duration is over 18 hours. Built-in battery powered igniter for no-match lighting. Protected by automatic shutoff in case of tip-over. Dimensions: 14½ w (at base) x 18½" h. white baked-enamel finish. Clear View fuel gauge. Output: up to 9,024 BTU/hour.

\$139.95 IN STOCK

★ WE STOCK; Chimney Brushes, Ceiling Registers, Insulated Chimney and a wide variety of Woodburning Stoves.

BOWMAN'S STOVE SHOP

RD 3, Napierville Road
Ephrata, Pa. 17522
Follow the signs from the
Light at Hinkletown

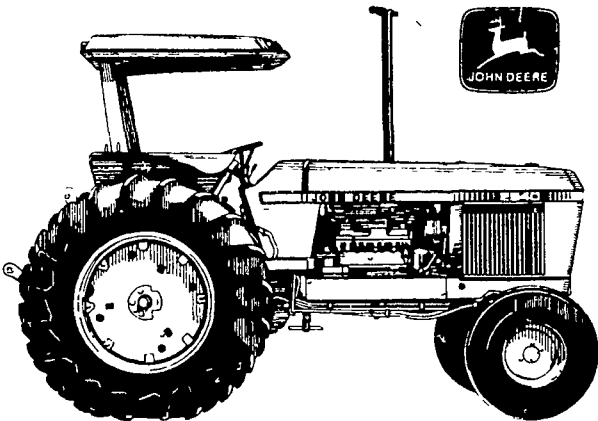
Tues., Wed., Sat. 9-5
Thurs., Fri. 9-9
Closed Monday



717-733-4973
Financing Available



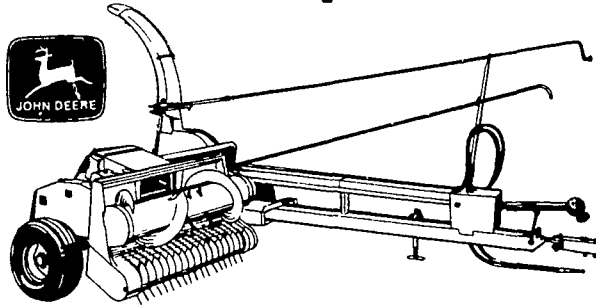
NEW PROFILES OF PERFORMANCE



The new 80-hp 2940 —
bigger engine, smoother
shifting, easier riding,
more pull power

Now 80 horsepower looks better than ever with the John Deere 2940. A beefed-up 6-cylinder engine, the new synchronized TSS transmission and Hi-Lo shift as standard equipment for 16 forward and 8 reverse speeds, larger fuel tank capacity, hydrostatic steering, new electronic instrument panel, and a new completely adjustable seat all add up to performance. And now you can stretch that 80-hp performance even further by equipping your 2940 with John Deere's new mechanical front-wheel-drive option. On-the-go engagement or disengagement is just one of many features that can help you keep going when you hit soft or wet conditions. The John Deere 2940 — it's real 80-hp performance.

The 3940 Powr-Mizer Forage Harvester makes the most of your tractor's horsepower



Now there's a forage harvester that squeezes extra work out of your tractor's horsepower. The 3940 from John Deere. The 3940's power-efficient design begins with our Dura-Drum™ cutterhead. Uneven forage doesn't stand a chance against its 36 segmented cutter knives. And if a knife gets damaged, you'll find it's easy and inexpensive to replace one of the short blades.

Easy-adjust controls help you keep running at peak performance. It only takes one wrench and less than 3 minutes to set the stationary knife at the proper clearance. No bending. No mess. No shield removal. It's so easy, you'll adjust it every time you sharpen the knives.

All these power-efficient features of the 3940 add up to let you harvest more forage with your present tractor. Come on in and let us show you how the 3940 can squeeze more capacity out of your 80- to 130-hp tractor.

LANDIS BROS. INC.
Lancaster, PA
717-291-1046

NEUHAUS'ES INC.
RD2, York, PA
1-83 Loganville Ext 3
717-428-1953 or
235-1306

ROBERT E. LITTLE INC.
Zieglerville, PA
215-287-9643

M.S. YEARSLEY & SONS
West Chester, PA
215-696-2990

ADAMSTOWN EQUIPMENT INC.
Mohnton RD2, PA 19540
(near Adamstown)
215-484-4391

SHOTZBERGER'S EQUIPMENT
Elm, PA
717-665-2141

KERMIT K. KISTLER INC.
Lynnport, PA
215-298-2011

AGWAY INC.
Chapman Equipment
Center
Chapman, PA
215-398-2553

PIKEVILLE EQUIPMENT INC.
Oyster Dale Road
Oley RD2, PA
215-987-6277

A.B.C. GROFF INC.
New Holland, PA
717-354-4191

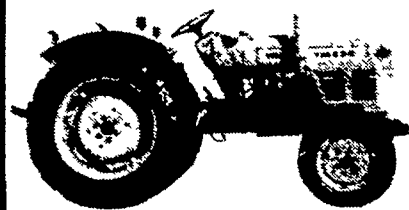
FOSTER EQUIPMENT SALES
Elmer, NJ
609-769-1535

I.G. SALES
Silverdale, PA 18962
215-257-5136

YANMAR THE ENERGY SAVER

Save Money While in Operation
YES With the YANMAR DIESEL
You Use only Pints of Fuel Per Hour

SUPER SPECIAL 33 H.P. TRACTOR
3 Cyl., Live PTO, 4 WD Ag Tires
and Draft Control



List \$9395
SALE

\$7995

LESS 5%
FOR CASH

CHECK THESE APRIL SPECIALS

	List	SPECIAL
13 HP, 2 WD, Turf Tires	\$4255	'3995
13 HP, 4 WD, Turf Tires	\$4665	'4195
15 HP, 2 WD, Turf Tires	\$4680	'4195
15 HP, 4 WD, Ag Tires	\$5000	'4495
15 HP, 4 WD, Turf Tires	\$5200	'4395
24 HP, 2 WD, Turf Tires	\$5975	'5195
24 HP, 4 WD, Ag Tires	\$6665	'5995
24 HP, 4 WD, Turf Tires	\$6715	'5995

DEDUCT AN ADDITIONAL 5% OFF THESE
ALREADY LOW SALE PRICES IF YOU PAY CASH!
★ PRICES GOOD THRU APRIL ★

LAWN CARE OF PENNA.

SERVICE is Our Motto

MARTINDALE, PA. 17549
1 Mi. N. of Martindale, Pa. on Gristmill Rd.
Phone: (215) 445-4541
A LITTLE OUT OF THE WAY,
BUT A LOT LESS TO PAY
Hours: Mon., Tues., Thurs. & Fri. 8-8
Wednesday 8-5; Saturday 8-2