

## Wingert addresses Manheim Young Farmers

EAST PETERSBURG — The Manheim Young Farmers held their annual banquet here at the Fire Hall, Friday.

Speaker for the evening was Eugene Wingert, Regional Director for the Pennsylvania Department of Agriculture.

Wingert attempted to give the group an understanding of the make-up of the state department of agriculture. He noted that there are 7 regions which each operate as a microcosm of the department itself. In addition, there are 8 bureaus each with its separate functions.

The Bureau of Foods and Chemistry, he noted is the largest, in fact, as large as three other bureaus combined. Foods and Chemistry safeguards the public health through rigid supervision of the public food supply.

The Bureau of Markets is in charge of markets and market reports, promotions for various commodities, fair funds and the state logo.

The Bureau of Plant Industry has the responsibility of administering laws pertaining to pests and plant pathology.

The Bureau of Dog Law, Wingert termed the family feud division, noting the many neighborhood disputes the bureau is called upon to settle.

The Bureau of Animal Industry is responsible for the control and eradication of livestock and poultry diseases.

The Bureau of Weights and Measures protects the state's consumers against shortages at scales and gas pumps.

The Bureau of Rural Affairs is designed to aid in the well being of highly populated rural areas.

The last Bureau is the Bureau of Administrative Services.

Wingert invited the group to make use of his Region 6 office located at the Lancaster Stockyards.

Daniel Fair, club advisor, directed the group to continue to build on the success of the past year. Fair who will be leaving his post as

advisor at the end of the year noted that while the club had suffered a slump in recent years, it is once again alive and well.

Fair also presented gas welding certificates to Donald Hershey, Larry Hershey and Ronald Kline.

## 4-H volunteer positions are not thankless jobs

CLEMENTON — Volunteer involvement is 4-H is limited "only by your imagination and ability," according to Sara Drabik, Camden 4-H Agent.

There are many types of jobs in 4-H, Drabik points out, and volunteers should be encouraged to participate whenever needed and available.

Volunteer jobs that are becoming more firmly established, Drabik says, are "key" county or area subject matter leaders. Adults who fill such positions have responsibilities for overall planning and programming in specific areas such as food and nutrition, clothing, horse management and pet care. They also supervise other volunteers and act as liaisons between local volunteers and salaried staff members. "Subject matter volunteers right in neighborhoods ought

to provide 4-H leaders with much stronger support," Drabik says.

Volunteer organizational, project and activity leader positions are available for both 4-H clubs and for short-term special interest projects such as bicycle safety and child care. In addition, many adult volunteers are needed to work in the county 4-H program committee structure.

"4-H positions are not thankless jobs", according to Drabik. "While we are asking leaders to invest their time, energy and resources in 4-H programs, volunteering is not a one way street," she says. "Not only do volunteers have opportunities to watch youth develop and assume responsibility, but they also receive up to date training in their own specialties."

## CCC defers delivery on corn and wheat

WASHINGTON, D.C. — Secretary of Agriculture Bob Bergland announced last Monday the Commodity Credit Corporation has deferred to a later delivery month contract obligations covering corn and wheat which had been scheduled for May delivery.

These contracts were acquired by the CCC as a result of the suspension of exports to the Soviet Union.

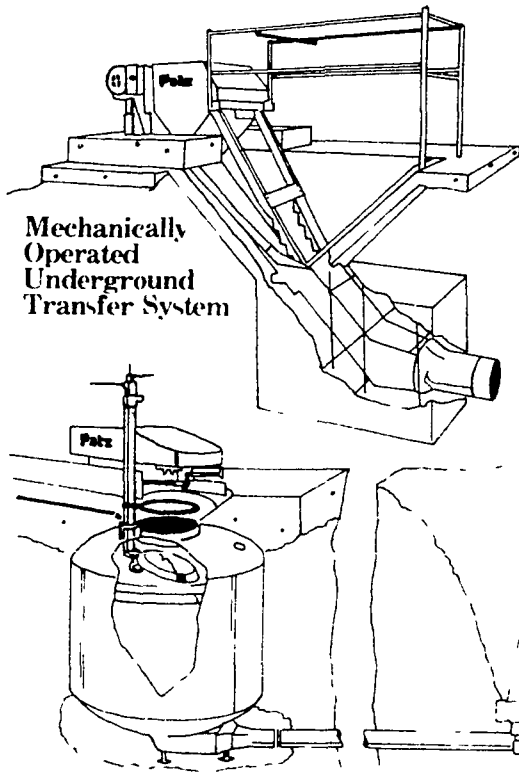
Allow only trained, competent people to operate farm equipment. Keep children away.

## Grassland FFA tops county



Meat judging contestants from Garden Spot are pictured recently from left: Wanda Weber, Kevin Martin, Kevin Zimmerman, Larry Horst and Glenn Hartz. During the county competition held at Kunzler Meats in Lancaster, a team of Weber, Horst and Doug Dosch, absent when photo was taken, placed first. Horst placed 1st; Kevin Martin, 2nd; Glenn Horst, 3rd; Cindy Boyd, 4th; Kevin Zimmerman, 7th; Doug Dosch, 8th; and Wanda Weber, 9th in individual competition with 31 individuals competing.

# If you're looking for an underground transfer system look to the people who specialize in manure handling.



You can depend on

# Patz

Underground  
Air Operated  
Transfer System

### DISTRICT MANAGER

GEORGE HEATH 472 Woodcrest Dr. Mechanicsburg, PA 17055 717-737-0002

ALEXANDRIA  
MAX ISENBERG  
814-669-4027

HAMBURG  
SHARTLESVILLE  
FARM SERVICE  
215-488-1025

TERRE HILL  
TERRE HILL  
SILO CO INC.  
215-445-6736

BALLY  
LONGACRE  
ELECTRIC  
215-845-2261

LEBANON  
MARVIN J HORST  
DAIRY EQUIPMENT  
717-272-0871

WILLIAMSBURG  
LONGENECKERS, INC  
814-793-3731

BELLEFONTE  
LUCAS BARN  
EQUIPMENT  
814-383-2806

MALISTERVILLE  
SANER FARM  
SYSTEMS  
717 463-2606

### MARYLAND DEALERS

BELLEVILLE  
MACLAY & SON  
717-935-2101

MILLERSBURG  
LANDIS  
LABOR SAVERS  
717-692-4647

HAGERSTOWN, MD  
TRI-STATE  
FARM AUTOMATION  
301-790-3698

CAMP HILL  
LLOYD SULTZBAUGH  
717-737-4554

MILTON  
LANDIS FARMSTEAD  
AUTOMATION  
717-437-2375

KENNEDYVILLE, MD  
PINDER SERVICE CO  
301-348-5263

CHAMBERSBURG  
CUMBERLAND FARM &  
DAIRY INC  
717-263-1965

PIPERSVILLE  
MOYER  
FARM SERVICE  
215-766-8675

LINEBORO, MD  
WERTZ GARAGE, INC  
301-374 2672

ELLIOTTSBURG  
CARL BAER  
717-582-2648

QUARRYVILLE  
UNICORN FARM SERVICE  
JAMES E LANDIS  
717-786-4158

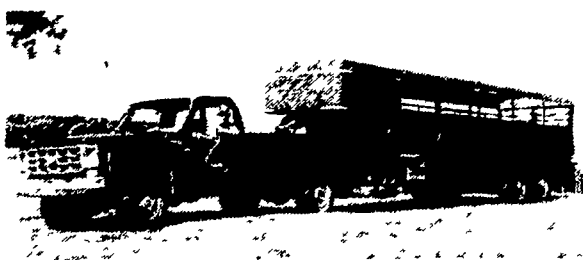
STREET, MD  
P & S EQUIPMENT, INC.  
301-452-8521

### FISHER AND STOLTZFUS TRAILER SALES

Call 717-354-0233 or 717-768-3832  
East of New Holland, Pa.

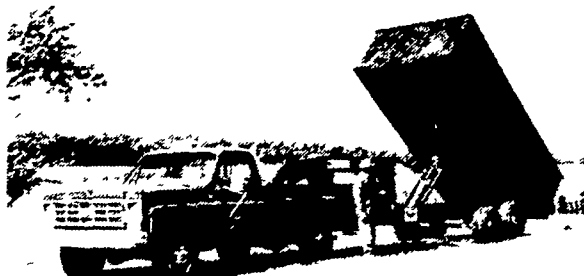
#### CHECK OUR PRICES BEFORE YOU BUY

- Small Utility Trailers
- Flatbed Trailers
- Equipment Trailer
- Tilt-Bed Trailer



Standard Livestock trailer with metal top sleeper van. Comes in 16,20,24,28 ft. lengths, brakes on all wheels.

16' long by 8' wide body has 40" sides, a grain door in rear, flotation tires for field work or 10,000 lbs., axles with dual wheels, electric hoist carrying capacity 300-350 bu



Standard bumper stock trailer comes in 14' or 16' lengths & either 5' or 6' widths. Ideal bumper combination Horse & Cattle Trailer.

