

FARM EQUIPMENT

For Sale - White 2-60 diesel, 456 hours, 60 horse power with dual tires (run approx. 200 hrs.), roll-over cab, used one season on Muckland and must sell due to going out of business, \$9250. 607-776-6355 (Bath, NY, southern tier).

For Sale - 1979 Century 45 foot spring loaded, coldup spray boom, no-drip nozzles, 5/8 hoses, sprays 18-30" or 12-40" rows, excellent condition \$400. Lancaster Co. 717-529-2723.

FARM EQUIPMENT

For Sale - Top cover for NH 362 barrel spreader & miscellaneous parts, in very good condition. \$125. Call after 8 P.M. 215-562-4220.

For Sale - NH 271 baler with like new 54A thrower. PH: 717-248-1768.

For Sale - JD 24-T bale thrower complete with hyd. hoses, cylinders, very good condition. Lewis M. Peachey, Box 310, RD1, Belleville, PA 17004.

FARM EQUIPMENT

For Sale - NH 345L Tank Spreader, \$350. Call 717-649-5508 or 649-5344.

Wanted - Good or rebuildable engine for AC-WC reasonable 301-885-2429.

FARM EQUIPMENT

For Sale - Weaverline silage cart, good condition, 215-932-9516.

For Sale - Case 1070, power shift, cab & air, excellent, Chester Co. 215-932-2533.

NEW AND USED EQUIPMENT



- MF 135 3 cyl. Perkins, new paint, rebuilt motor .. \$3,500
- IHC 185 Low-Boy and Mower with SOLD .. \$2,995
- 8N Ford Straight A and new Woods Belly Mower. \$1,895
- Super A and new Woods Belly Mower .. \$2,200
- Super A and Cultivator .. \$2,295
- 3500 Ford with Loader .. \$4,995
- 5600 Ford, 225 hours .. \$12,500
- 4430 JD, 1600 hours .. \$16,500
- IHC 3444 with loader .. \$4,995
- Super C with Fast Hitch .. \$1,195
- IHC 444 .. \$3,995
- 870 Case .. \$6,995
- IHC 766 .. \$9,200
- IHC 544 Hydro .. \$3,900
- 1,2,3,4,5,6 Bottom Plows, 3 pt. and Transport Discs, 1150 IHC Grinder-Mixer, Woods HD 315 Bat-Wing Mower, New C80 Woods Mower, New Woods RM59 Mower and RM306 Mowers, New Woods Belly Mowers, NH 488 Haybine, cut 100 acres, Hay Rakes, IHC Planters 4 row, JD 6 row planter. IHC #25 2 row Pc SOLD, inter, like new, pot, SOLD, r, flail choppers, manure spreaders

This is just a partial listing of what we have to offer.

YORK COUNTY FARM & INDUSTRIAL EQUIPMENT

Box 222, Emigsville, PA 17318
717-764-6412 or 764-5115

NEW EQUIPMENT SPECIALS

Jamesway 16' Volumatic III Silo Unloader Base \$3300. (Optional items as required extra.)

John Deere 2640 Tractor w/Hi-Lo, Demo., 73 hrs. \$15,000

USED EQUIPMENT

- | | |
|--|--|
| <p>TRACTORS</p> <p>IH 300 w/Loader</p> <p>FORAGE EQUIPMENT</p> <p>NH 717 Harvester w/pickup</p> <p>NH 717 Harvester w/1R Unit</p> <p>JD 3800 Harvester w/2RN & Pickup</p> <p>JD 35 w/1R Unit</p> <p>Gehl 600 w/2R & Pickup</p> <p>Gehl Snapper for 600</p> <p>Gehl 72C Flail Harvester</p> <p>NH Sickle Bar for 717</p> <p>NH 1 R Head for 800</p> <p>Kasten Forage Wagon w/roof</p> <p>HAY TOOLS</p> <p>IH 37 Baler w/thrower</p> <p>AC 444 Baler w/thrower</p> <p>JD 224T Baler w/thrower</p> <p>NH 270 Baler w/thrower</p> <p>NH 271 Baler w/hitch & chute</p> <p>(2) (3) NH 479 Mower Conditioners</p> <p>(2) Hesston PT10 Mower Conditioners</p> <p>AC 390 Mower Conditioner</p> <p>IH 990 Mower Conditioner</p> | <p>TILLAGE EQUIPMENT</p> <p>Brillion 12' cultimulcher</p> <p>Brillion 12' Picker</p> <p>AC 12' Transp. Discs</p> <p>Oliver 12' Transp. Disc</p> <p>PLANTERS & DRILLS</p> <p>(1) JD 494 Planter</p> <p>(3) (4) JD 494A Planters</p> <p>JD 1240 Plate Planter</p> <p>IH 10-16 Double Disc Drill</p> <p>COMBINES</p> <p>JD 7700 w/15' Flex Platform 4 whl. Dr.</p> <p>JD 6600 w/15' Rigid Platform</p> <p>Oliver 545 w/13' Platform</p> <p>AC G w/13' Flex- Platform</p> <p>JD 244 Corn Head</p> <p>OTHER EQUIPMENT</p> <p>JD 1508 Rotary Mower</p> <p>JD 392 Fert. Spreader</p> <p>Lamco 16' Feeder w/NH 230 Wagon</p> <p>Walsh 300 gal. Sprayer</p> <p>Century 200 gal. Sprayer</p> <p>Century 200 gal. Sprayer 3 pt.</p> <p>Girton 600 gal Bulk Tank</p> |
|--|--|

NH 1495 HAYBINE, FULL CAB \$14,000

FREE FINANCING ON SOME ITEMS

I. G. SALES

DeLAVAL Silverdale, PA 18962

JAMESWAY 215 257 5135

Quonset Buildings

John Deere design, dependability, and dealers make the difference

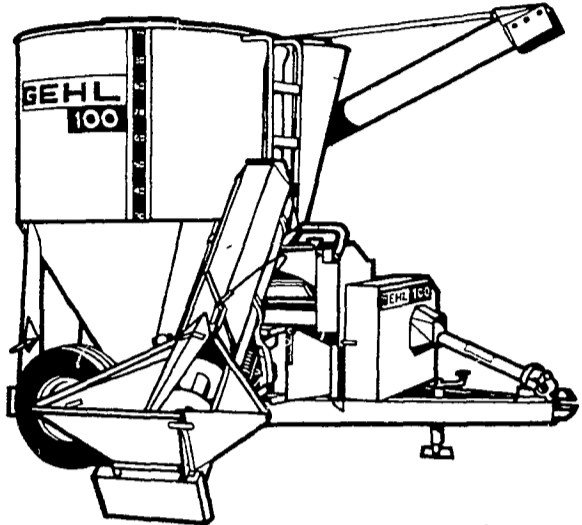
USED EQUIPMENT

<p>NEW EQUIPMENT</p> <p>New Tractors</p> <p>JD 1050 JD 2040</p> <p>JD 950 JD 2240</p> <p>JD 850 JD 2440</p> <p>TRACTORS</p> <p>630 JD gas</p> <p>JD 50 w/cultivators</p> <p>IHC 1256 Turbo dual remote, PTO wfe</p> <p>MF 65 Utility gas</p> <p>IHC Super C</p> <p>CORN PLANTERS</p> <p>2 - AC 500 4 rows</p> <p>JD 1240 4 row, plateless</p> <p>4 - JD 494 4-rows</p> <p>2 - JD 494A 4-rows</p> <p>JD 290 2 row w/steel wheels</p> <p>DISC HARROWS</p> <p>JD KBA 40 12' transport</p> <p>JD KBA 28 regular</p> <p>JD KBA 28 transport</p> <p>JD 7802 offset 20 blade</p>	<p>USED SPREADERS</p> <p>NI 218 8 1/2 ton tandem</p> <p>2 NI 224 10 ton tandem</p> <p>NI 213 165 bu single beater</p> <p>IHC model 550 PTO spreader /</p> <p>NH model 676S tandem axle</p> <p>MISCELLANEOUS NEW EQUIPMENT</p> <p>Brillion</p> <p>10 11, 12, & 14' pulverizers</p> <p>8 & 10' grass seeders</p> <p>7' 3 pt chisel plow</p> <p>12 1/2' field cultivators</p> <p>12' transport spring harrows</p> <p>McCurdy grain boxes</p> <p>JOHN DEERE</p> <p>JD 350 5 bottom semi mounted power reset plow</p> <p>JD 215 12' 10" disc harrow</p>
--	---

LANDIS BROS., INC.

1305 Manheim Pike
Lancaster, PA 17601
717-291-1046

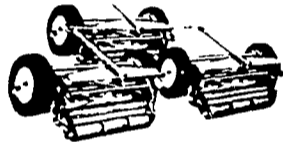
SPRING SPECIAL



New MX 100 Fully Equipped \$5100

- 5 - 6 - 8 - 10 - Ton Gehl Wagons
- Farm Bilt Wagons, steel or rubber
- 1 - New 65 HP Ford Power Unit
- Used CB 600 Gehl Base Unit

Triple Gang Mowers



For best prices contact:
Alvin Zook

ZOOK ENGINES

R2 Box 222A
Honey Brook, Pa. 19344
Answer service 215-273-2943

THESE PLANTERS PRICED TO GO

Get 'em off the yard and in the field

- 4-Row**
- John Deere 1440 w/4-71 units - no till
 - John Deere 1440 3 pt. w/insect. - no till
 - John Deere 24B units w/Fert. and Markers
 - John Deere 1250 - plate planter (extra good)
 - John Deere 1250 Plateless w/monitor
 - John Deere 1440 w/80 Plateless units, insect att.
 - Ford 354 No-Till w/insect & monitor
- 6-Row 30" planters**
- AC plate type No-till (late model)
 - John Deere 1460 No-till
 - John Deere 1460 No-till - 80 units - endwise transport
 - White No-till w/insect & monitor
 - (2) White No-till w/liquid fertilizer
 - White 5400 No-till w/liquid fertilizer
- 8-Row For No-Till Beans & Etc.**
- 1-AC w/liquid fertilizer & monitor (used 1 season)
 - 1-John Deere 3 pt. soybean planter - no till

TRACTORS

- 12 ways to save BIG.
- 2020 John Deere Diesel
- 2030 John Deere Diesel w/145 loader
- 2640 John Deere Diesel (low hrs.)
- 3020 John Deere Diesel
- 5020 John Deere Diesel
- 7020 John Deere Diesel
- 400 Farmall w/T/A
- 5000 Ford with or without loader
- 8000 Ford Diesel
- 9600 Ford w/cab
- 4006 Deutz
- 2470 Case w/Blade
- 1520 John Deere gas (sold)

GREENLINE SERVICE CORP.

Box 7208 2508 Tidewater Trail
Fredericksburg, VA 22401
703-373-7520

TILLAGE EQUIPMENT SPECIALS . . .



The Rising Power in Farming

ALLIS-CHALMERS

AC MODEL 1600 MOUNTED CHISEL PLOW
With ga wheels and tires

8 Ft **\$1425** 10 Ft **\$1650**

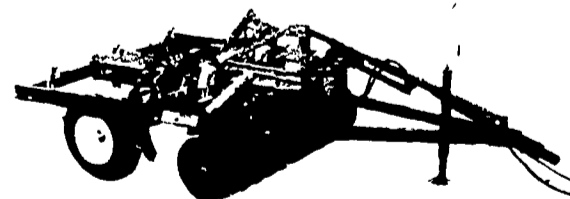
AC MODEL 2463 HYD. RESET PLOW
With 5 18" bottoms and 18" concave coulters and ga. wheel **\$4175**

AC 2463 SPRING TRIP PLOW
With 5 16" bottoms, 18" concave coulters and ga wheel **\$3425**

AC MODEL 1200 FIELD CULTIVATOR
12 1/2 Ft **\$1295**

AC MODEL 1200 FIELD CULTIVATOR
With Hyd Fold and ga wheel **\$2495**

Glencoe Soil Saver



SSP 7B 7-TOOTH SOIL SAVER
With 11L x 15 Tires **\$4270**

(Set of coil tines for 7 tooth \$350)

SSP 9B 9-TOOTH SOIL SAVER
With 11L x 15 Tires **\$4875**

(Set of coil tines for 9 tooth \$390)

12'9" SOIL FINISHER \$5590

SHARTLESVILLE FARM SERVICE

RD1, Hamburg, PA
215-488-1025
H Daniel Wenger, Prop