

Farm Business News

Regional sales manager named

CHAMBERSBURG — Ray Kuhns of Chambersburg, recently was named Regional Sales Manager for East Central Region, consisting of: Zero Manufacturing's Eastern Pennsylvania, Virginia, Maryland, Delaware, and New Jersey.

Zero Company manufactures dairy bulk milk tanks and the Concord Milking

System, as well as auxiliary equipment for the dairy industry.

"Ray Kuhns brings a variety of experience in Zero products and dairy animal husbandry to this position that will be of great benefit to the Zero distributors in this area. We are proud to have Ray join our Zero team," says W. B. Childers, National Sales Manager.



Dairy dealers honored

BLUE BALL — Charles and Jim Zimmerman of J.B. Zimmerman & Sons, Blue Ball, were recently honored as members of DeLaval President's Honor Council. Carl Gerhardt, Vice-President and General Manager, De Laval Agricultural Division of Alfa-Laval, Inc., Poughkeepsie, New York, presented the award.

The award was presented at Harrah's Lake Tahoe in Nevada. Zimmermans were

in Lake Tahoe for five days of special business advisory meetings with the top executives of De Laval Agricultural Division.

Membership in the President's Honor Council is earned by outstanding achievements in sales and performance as a dealer. Members of the President's Honor Council will serve for one year on the advisory council to the firm's division management group.

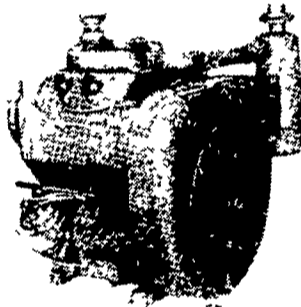
CHEESE

**CAN'T AFFORD A NEW ENGINE?
Let Us Overhaul Your Old Engine!**



WISCONSIN ENGINES

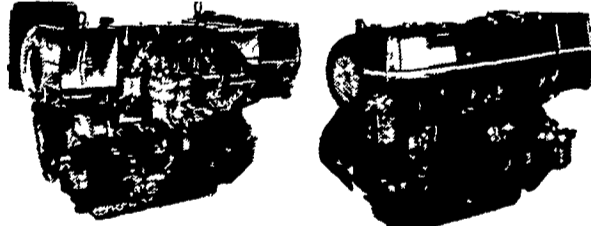
**V/465D
VH4D
AENL
NEW & USED**



Authorized Dealer Of



ADAPTABLE TO MOST APPLICATIONS

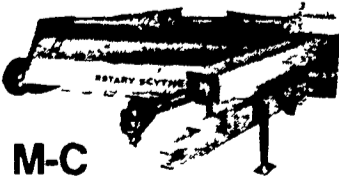


From 13HP to 200HP
OIL COOLED WATER COOLED AIR COOLED

EASY

WAY TO MAKE HAY

- Mows and conditions in 1 trip
- Non stop No plugging
- Saves rain soaked hay crop
- Handle any hay crop better



M-C Rotary Scythe

7 FT. & 9 FT. IN STOCK

SALES & SERVICE

MILLER'S REPAIR

1 Mile North of Bird-in-Hand
8 Miles East of Lancaster
RD1, Bird-in-Hand, PA PH: 717-656-9013

Spring TIRE BLAST Clear-out

STEEL BELTED RADIAL TIRE

Size	P. Metric Size	Tires	F.E.T.
BR78X13...	P185/75R13...	37.95	\$2.11
FR78X14...	P205/75R14...	42.50	\$2.59
FR78X15...	P205/75R15...	44.25	\$2.68
GR78X15...	P215/75R15...	46.00	\$2.74

FIBERGLASS RADIAL TIRES

DR78 x 14	\$35.00
HR78 x 15	\$47.50
LR78 x 15	\$48.96

SPECIAL 4 Ply Polyester Tires

J78 x 15 \$29⁰⁰

SIZE	KIND	PRICE	F.E.T.
C78 x 14	Poly Blem	\$22.00	\$1.87
B60 x 13	Belted Blem	\$29.00	\$2.28
C78 x 14	Belted Blem Bk	\$29.96	\$2.01
C78 x 14	Rad Blem	\$32.00	\$1.87
F78 x 14	Rad Blem	\$35.00	\$2.25
G78 x 14	Rad Blem	\$39.00	\$2.42

LIGHT TRUCK TIRES

950 x 16 5	Rad 10 Ply (LT)	\$75.00	\$5.06
800 x 16 5	M & S 8 Ply Nylon	\$38.00	\$3.50
875 x 16 5	6 Ply Nylon Reg	\$46.00	\$2.72
H78 x 16	Belted 6 Ply (LT)	\$27.00	\$3.75



Hours: Mon. and Fri. 7:30 to 9:00;
Tues., Wed., Thurs. - 7:30 to 5:00;
Closed Saturday

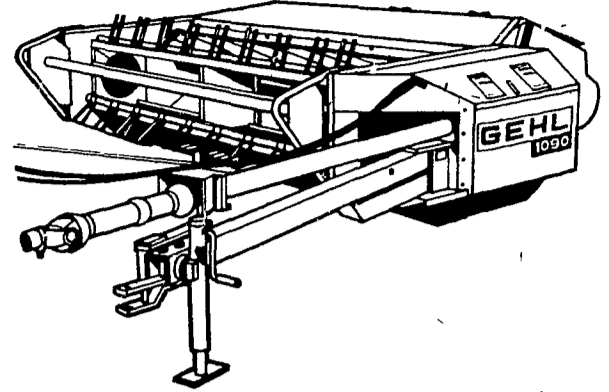


OFFICIAL INSPECTION STATION

HURST TIRE SERVICE

PHONE: (717) 354-4931
1 Mile West of Blue Ball On Rt. 322

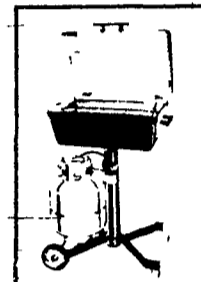
You say when! You say where!



This year you can make the best hay ever with a new Gehl mower conditioner. And we've got a demonstrator model we'll bring to your farm to show you how. You say when, you say where! We'll be there, with a Gehl mower conditioner. Check these features: 2 sizes, unitized frame, "Leaf-Saver" conditioning rolls, new cutterbar design, quick-adjust windrow shields, and more!

Give us a call today and set up a free, no-obligation demonstration on your farm. You say when, you say where!

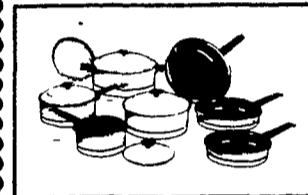
(Offer available thru participating dealers)



Char-Broil gas grill



Toro trimmer



West Bend cookware & griddle set

FREE!*

*Choose a FREE gift—worth up to \$200—when you buy a new Gehl mower conditioner!

Cash in on this special Spring Fever offer from Gehl! Select one of these valuable gifts when you buy a new Gehl mower conditioner between March 1 and May 31, 1980. You'll get Gehl's rugged dependability, high productivity, and a gift from Gehl worth up to \$200! Stop by today!

GEHL®

SPRING FEVER

Catch it!

PEOPLE'S SALES & SERVICE

Oakland Mill, PA
717-463-2735

N.G. HERSHEY & SON

Manheim, PA
717-665-2271

A. L. HERF & BRO.

Quarry Hill, PA
717-781-3521

S. JOHN & JN HURFF

Pole Tavern
Monroeville, NJ
609-382-2565 or
609-69-2565

STOUFFER BROS. INC.

Chambersburg, PA
717-263-8424

ARLITT'S GARAGE

Box 125
Petersburg, MD
301-733-0515

BERGER'S MILL

4 Lebanon, PA
(Fontana)
717-867-5161

ZOOK'S FARM STORE

Honey Brook, PA

BINKLEY & HURST BROS.

33 Rothsville Station Road
Lititz, PA
717-626-4765

AGWAY, INC.

Chapman Equip. Center
Chapman, PA
215-398-2553

KING'S TOWN

TRACTOR CO., INC.

Rt. 213 South
Chestertown, MD
301-778-1640

CHAS. J. MCCOMSEY & SONS

Hickory Hill, PA
215-932-2615

WERTZ GARAGE

Lineboro, MD
301-374-2672

LEBANON VALLEY

IMPLEMENT CO., INC.

Richland, PA
717-866-7518

CLAIR J. MYERS

Lake Road R1
Thomasville, PA
717-259-0453

COLUMBIA CROSS ROADS EQUIP.

RD 2 Box 62
Columbia Cross Roads, PA
717-297-3873
717-297-2991

PETERMAN FARM EQUIPMENT, INC.

225 York Rd
Carlisle, PA
717-249-5338