

# Akers and Gould honored by Solanco FFA

QUARRYVILLE — Two members of the community were awarded Honorary Chapter Farmer degrees at the annual Solanco FFA award banquet held recently.

Curtis E. Akers and Mark G. Gould were honored for their contributions of time and interest to the club.

Club members receiving special recognition included: Steve Aument, Star Greenhand; Robert Kirk, Star Chapter Farmer; Doug Hershberger, Star Red Rose

Farmer; Christina Bucher, Star Keystone Farmer, David Holzhauser, dairy award, Gary Eberly, Dwight Herr and Steve Herr, corn production awards, Leslie Barnes, Farm Women No 20 award; Brian Wertz, Lancaster County Bankers award; and Kim Landis, Henry Wenger Life Insurance award.

Tony Eberly, Eastern Regional Vice President, offered encouragement to FFA members.

Receiving Greenhand

degrees were: Steve Aument, Ted Ayers, David Church, John DeBeneditto, Jeff Diem, Bob Eyraud, Terry Groff, Rick Ibach, Rick Kiefer, Bill Morris, Dale Milburn, Ken Miller, Andy Nelson, Doug Pickel, Randy Richardson, Ted Shaffer, Doug Sheets, Joe Shirk, Ray Steen, Jim Strawser, Tina Padych, Brian Trimble, David Vannoy, Shari Weidman and Doris Smith

Chapter Farmer degrees were received by: Allen

Anderson, Matt Arrowsmith, Phil Aument, Scott Brinton, Jake Frank, Ernie Frey, Randy Graver, Walt Guessford, Jack Heidelbaugh, Tom Herr, Brett Holzhauser, Bernie Haughton, Robert Kirk, Leonard Lavin, Mike McGhee, David Myers, John Presnell, Mike Rineer, Scott Steen, Leon Padych, Mark Trimble, Harold Vannoy, Jim Vasco and Tim Farkas.

Red Rose degrees were received by Mark Eager, Bryan Dickson, Dwight

Lancaster Farming, Saturday, April 5, 1980—C15

Herr, Doug Hershberger, Jeff Keller, Scott Stauffer and Roy Stoner

Eberly, David Holzhauser and Kim Landis.

John Shank, hypnotist, kept the audience spellbound during the entertainment portion of the evening.

Keystone degree winners were: Tina Bucher, Gary



**READ  
LANCASTER FARMING  
FOR COMPLETE  
AND UP-TO-DATE  
MARKET REPORTS**

## Badger

### MANURE HANDLING SYSTEMS

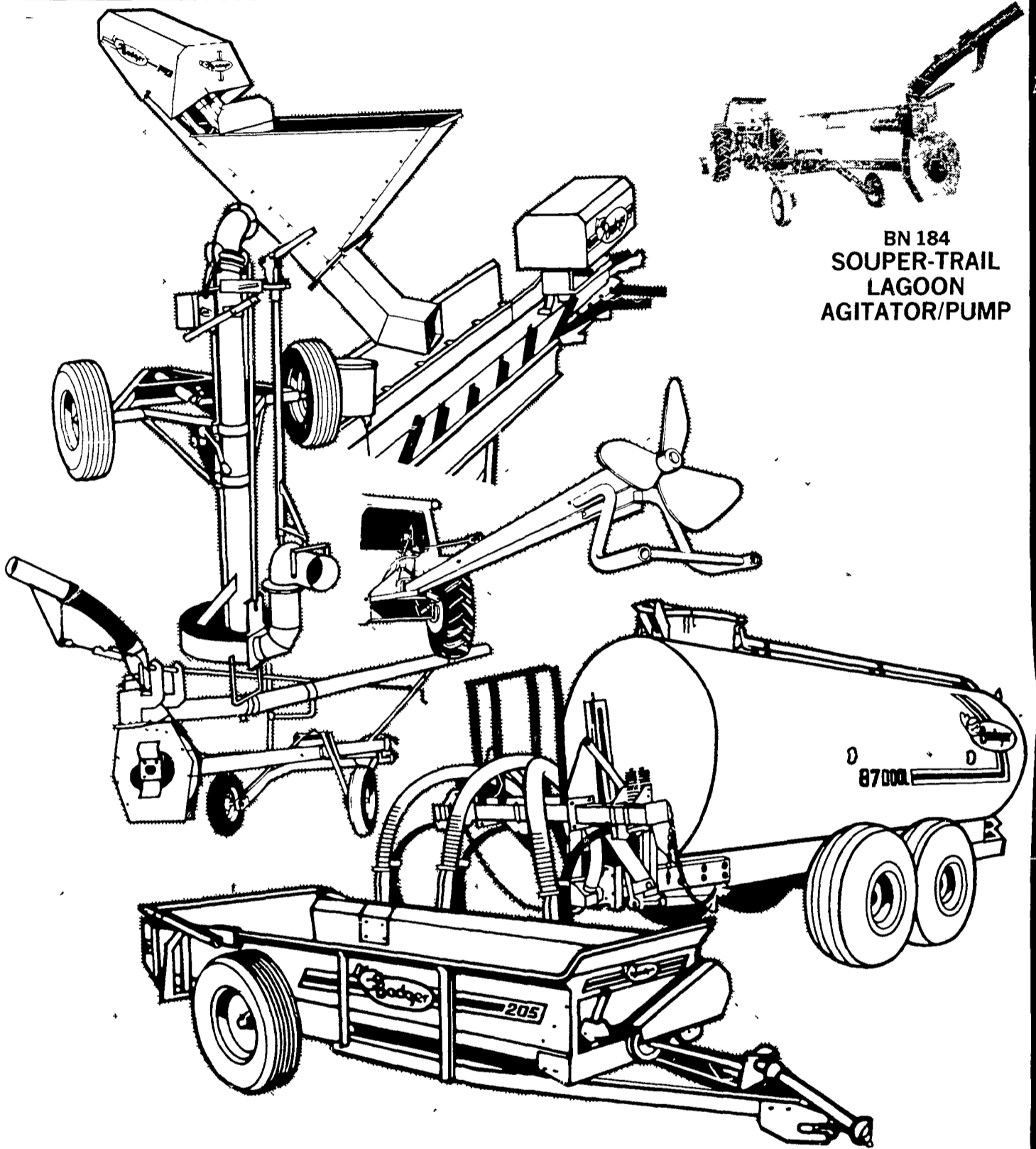
Here's the top of the line designed to be ahead of its time...and to keep your workday ahead of schedule. Badger systems are built better to do the job better. Look at any part of the Badger system and you're looking at a better way, at less cost per ton.

#### WAIVER of FINANCE NOW AVAILABLE

- ★ TILL SEPT. 1, 1980 on MANURE SPREADERS
- ★ TILL OCT. 1, 1980 on LIQUID MANURE EQUIPMENT



THE PEOPLE THAT CARE  
ABOUT YOUR FARM,  
YOUR BUSINESS AND YOU!



BN 184  
SOUPER-TRAIL  
LAGOON  
AGITATOR/PUMP

## 20-20 SPECIAL

**ON BADGER SNOWTHROWERS THRU MAY 1, 1980**

★ Pay 20% Down and We will give you 20% Interest on your down payment and hold till Oct. 15, 1980

**CALL YOUR LOCAL BADGER DEALER**

#### GRUMELLI'S FARM SERVICE

Mechanics Grove  
Quarryville, PA 17556  
Ph (717) 786-7318

#### SHOW-EASE STALL CO.

523 Willow Rd  
Lancaster, PA 17601  
Ph (717) 299-2536

#### PIKEVILLE EQUIPMENT INC.

RD 2  
Oley, PA 19547  
Ph (215) 987-6277

#### KNUD HERMANSEN

RD 2  
York Springs, PA 17372  
(717) 766-3639

#### CECIL DAIRY SERVICE

RD 1 Rt 274  
Mi South Rising Sun, MD 21911  
Ph (301) 658-6923

#### McMILLEN BROS.

RD 1  
Loysville, PA 17047  
Ph (717) 789-3961

#### AUMILLERS SALES & SERVICE

RD 1 - Box 63  
Milroy, PA 17063  
(717) 667-2373

#### ROY O. CHRISTMAN

RD 1  
Hamburg, PA 19526  
Ph (215) 562 7218

#### LLOYD E. KREIDER

RD 1  
Cochranville, PA 19330  
Ph (215) 932-4700

#### ALLEN ZEIGLER

RR 1  
Lehighton, PA 18235  
Phone (717) 386-4593

#### REX RUSSEL EQUIPMENT

RD 1  
Rome, PA  
(717) 247-7858

#### JOHN BROWN

RR 1  
Forksville, PA 18616  
(717) 924-3492

#### RALPH KETTERER

Deep Run Road  
Perkasie, PA 18944  
(215) 766-8531

#### MECKLEY DALMATIA

Box 147  
Dalmatia, PA 17017  
(717) 758 3021

#### MARLIN W. SCHREFFLER

Pitman PA 17964  
(717) 648 1120