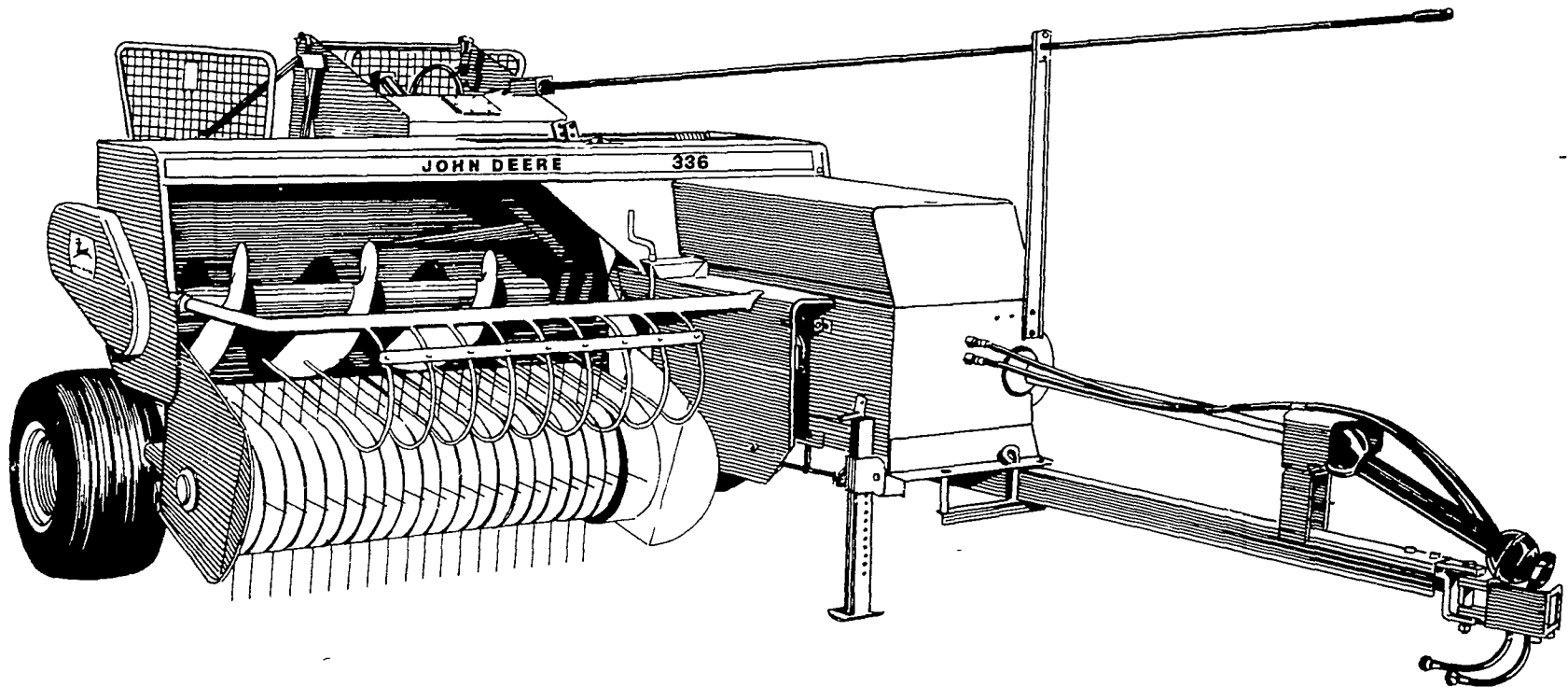


BONUS 1980

Act fast: First-period bonuses of up to \$600 on this John Deere equipment must end March 31



Simply sign an order before March 31 for any of the new John Deere equipment listed here — disks, chisel plows, or hay or forage equipment. First-period bonuses will qualify you for \$75 to \$600 in John Deere money you can spend for goods or services at our store. Your bonus John Deere money will be mailed to you after you take delivery.

What's more, you'll get price protection on any equipment listed here. If you use the John

Deere Finance Plan, no finance charges will accrue on any equipment in the program until the first day of the month which begins the 1980 use season in our area.

To get your bonus John Deere money, choose your disk, chisel plow, or hay or forage equipment from this list and order before March ends.

You'll be expected to take delivery of the equipment as soon as it's available.

BUYER BONUS IN JOHN DEERE MONEY FOR NEW EQUIPMENT ORDERS SIGNED DURING:*

EQUIPMENT:	MARCH '80
DISKS:	
111 and 115	\$ 75
210, 215, 310, 315, 340, 1630	\$150
220, 230, 235, 350, 440, 455, 1640	\$225
331 and 360	\$375
370	\$500
CHISEL PLOWS:	
1610 Integral Rigid, 1610 Drawn Rigid (11- thru 17-foot)	\$ 75

1610 Drawn Rigid (19- thru 23-foot), 1610 Drawn Flexible (23- thru 27-foot)	\$200
1610 Drawn Flexible (29- thru 41-foot)	\$300
1650 Folding	\$600

BALERS:

All Square and Round Balers	\$225
-----------------------------	-------

MOWER/CONDITIONERS:

1207, 1209 and 1380	\$300
---------------------	-------

FORAGE HARVESTERS:

Pull-Type 3940	\$300
Pull-Type 3960	\$400

*These offers are subject to equipment availability



A.B.C. GROFF, INC.
New Holland, PA
717-354-4191

**ADAMSTOWN
EQUIPMENT INC.**
Mohnton R D 2, PA
(near Adamstown)
215-484-4391

AGWAY INC.
Chapman Equipment
Center
Chapman, PA
215-398-2553

**DON CHESKE
BROTHERS, INC.**
Hackettstown, NJ
201-852-4488

**CLUGSTON
IMPLEMENT, INC.**
Chambersburg, PA
717-263-4103

J.S. COVERT & SONS
Neshanic Station, NJ
201-369-5241

EDWARDS & COX
Oxford, PA
215-932-2929

**EVERGREEN TRACTOR
CO., INC.**
Lebanon, PA
717-272-4641

**FOSTER EQUIPMENT
SALES**
Elmer, NJ
609-769-1535

**H.R. GUTSHALL
& SONS, INC.**
Carlisle, PA
717-249-2313

**ROBERT G. HAMPTON,
INC.**

Shiloh, NJ
609-451-9520

I.G. SALES
Silverdale, PA
215-257-5136

JOHNSON BROS.
Kresgeville, PA
215-681-4766

KERMIT K. KISTLER INC.
Lynnport, PA
215-298-2011

LANDIS BROS. INC.
Lancaster, PA
717-291-1046

ROBERT E. LITTLE INC.
Zieglerville, PA
215-287-9643

NEUHAUS'ES INC.
R D 2, York, PA
1-83 Loganville Ext 3
717-428-1953 or 235-1306

**PARKHURST FARM
& GARDEN SUPPLY**
Hammonton, NJ
609-561-0961

**PIKEVILLE EQUIPMENT
INC.**
Oyster Dale Road
Oley RD2, PA
215-987-6277

GEORGE V. SEIPLE & SON
Easton, PA
215-258-7146

**SHOTZBERGER'S
EQUIPMENT**
Elm, PA
717-665-2141

**SMITH'S IMPLEMENTS,
INC.**
Mercersburg, PA
717-328-2244

WENGER IMPLEMENT, INC.
The Buck-Quarryville, PA
717-284-4141

**WOODHULL EQUIPMENT,
INC.**
Medford, NJ
609-654-2011

M.S. YEARSLEY & SONS
West Chester, PA
215-696-2990