

# Blair Co. DHIA Report

(Continued from Page D10)

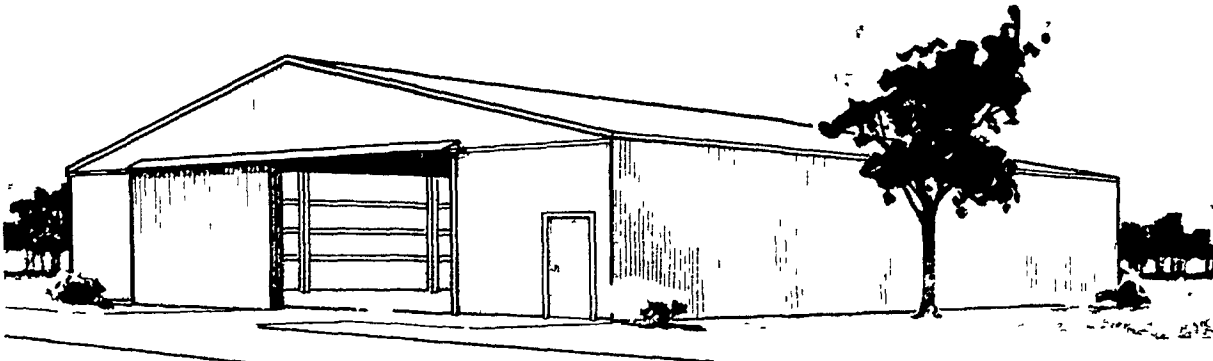
Emile Dilling					
26	RH	5-6	19,699	3 5	692
32	RH	5-1	16,739	4 3	716
30	RH	5-5	17,439	3 9	679
Dennis A Smith					
Mary	GH	2-11	16,705	4 3	724
Gerald Burket					
Janet	GH	6 1	24,405	3 3	805
Kol	RH	6-3	18,770	3 6	682
Fred Bechtel					
Harriet	GH	6 0	18,703	3 7	683
Melissa	RH	2-2	15,057	4 3	654
Blackcrest Farms					
29 B	RH	10-5	25,040	3 6	899
18	RH	3-4	21,670	3 8	813
Sheldon Fleck					
Grace	GH	4-4	17,501	3 8	662
Dar Wil Farms					
24	GH	7-2	20,442	3 4	705
125	GH	6-0	16,700	3 9	654
John R Saylor					
Patches	GH	7-2	18,773	3 7	691
Bambr	GH	5-3	15,885	4 2	670

(Turn to Page D12)

# AGWAY

## Agricultural Buildings

Built to your order  
for profit-minded  
efficiency



**Features:**

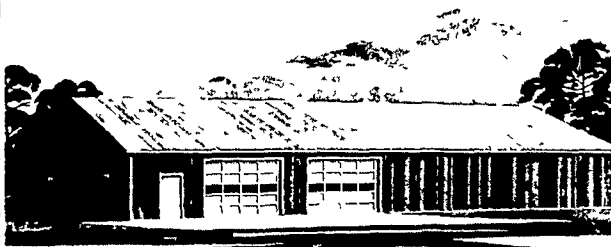
- Pressure-treated Koppers Columns
- Super Temper Rib Alcoa Aluminum Roofing
- Pre-painted Republic Rigid Rib Steel Siding available in your choice of 4 colors
- Kwik Frame & Pre-hung Aluminum Clad Passdoors by HNP
- Key-hole door track with painted cover by Starline
- Constructed for 30 PSF total load.

An Agway building  
means this to you:

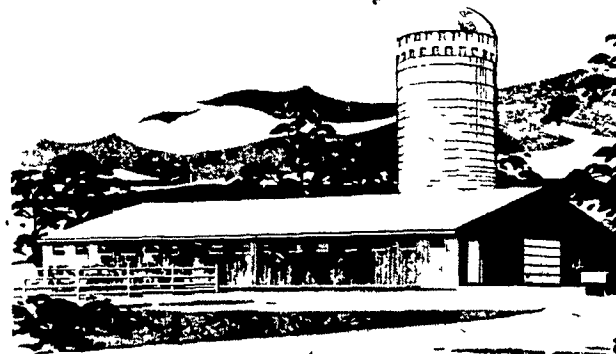
- Economy
- Fast Erection
- Durable Protection



Agway free stall barn engineered for expansion



Agway utility building  
versatile on-farm storage



Agway confinement barn  
for individual cow attention

**OUR ANNUAL SPRING "BUILDING BONANZA" SALE  
IS NOW GOING ON THRU APRIL 5, 1980.  
CHECK THE SPECIAL PRICING AND LEASING.  
CALL YOUR CLOSEST AGWAY LOCATION**

**FARM SYSTEMS AND BUILDING CENTERS**

**CHAMBERSBURG**  
717-263-4197

**TEMPLE**  
215-929-5264

**CARLISLE**  
717-243-4312

**LANCASTER**  
717-394-0541

**YORK**  
717-792-2674



**AVONDALE**  
215-268-2043

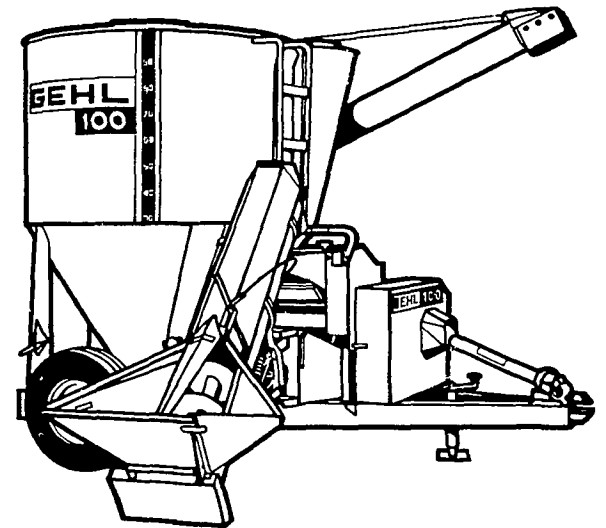
**DUBLIN**  
215-249-3556

**TANEYTOWN**  
301-848-3225

**CHAPMAN**  
215-395-3381



## New Hydraulic Mix-Alls®



Now Mix-Alls® are even better! New hydraulic design means less maintenance, easier operation. The 100-bushel Mix-All unloads in just 3½ minutes. Power bale feeding on the 135-bushel model handles 4½ bales a minute! And the hydraulic discharge conveyor with extensions reaches tanks up to 18' high. See these hydraulic Mix-Alls now!

**GEHL®**  
FARM EQUIPMENT

**PEOPLE'S SALES & SERVICE**  
Oakland Mills, PA  
717-463-2735

**N.G. HERSHEY & SON**  
Manheim, PA  
717-665-2271

**A. L. HERR & BRO.**  
Quarryville, PA  
717-786-3521

**S. JOHNSON HURFF**  
Pole Tavern  
Monroeville, NJ  
609-358-2565 or  
609-769-2565

**STOFFER BROS. INC.**  
Chambersburg, PA  
717-263-8424

**ARNETT'S GARAGE**  
Rt 9 Box 125  
Hagerstown, MD  
301-733-0515

**UMBERGER'S MILL**  
Rt 4 Lebanon, PA  
(Fontana)  
717 867-5161

**ZOOK'S FARM STORE**  
Honey Brook, PA

**BINKLEY & HURST BROS.**  
133 Rothsville Station Road  
Lititz, PA  
717-626-4705

**AGWAY, INC.**  
Chapman Equip. Center  
Chapman, PA  
215-398-2553

**KING'S TOWN  
TRACTOR CO., INC.**  
Rt 213 South  
Chestertown, MD  
301-778-1640

**CHAS. J. MCCOMSEY & SONS**

Hickory Hill, PA  
215-932-2615

**WERTZ GARAGE**  
Lineboro, MD  
301-374-2672

**LEBANON VALLEY  
IMPLEMENT CO., INC.**  
Richland, PA  
717-866-7518

**CLAIR J. MYERS**  
Lake Road R1  
Thomasville, PA  
717-259-0453

**COLUMBIA CROSS ROADS EQUIP**  
RD 2 Box 62  
Columbia Cross Roads, PA  
717-297-3873  
717 297 2991

**PETERMAN FARM EQUIPMENT, INC**  
225 York Rd  
Carlisle, PA  
717-249-5338