

## Last place shawl brings top dollar

**BY SHEILA MILLER**  
**HARRISBURG**—The last shawl to be completed in the first Sheep to Shawl contest, held at this year's Farm Show, sold for the highest price.

The shawl was taken from the fleece off a sheep's back

to the finished product by a six person team from Maryland, the Romney Rovers. It took them two hours and ten minutes to shear, spin and weave the shawl.

What made this shawl so special when the time came to auction it off was the fact

that it was made from the fleece of a black woolled sheep.

The black and tan woven masterpiece sold for \$245.

It took six people to make the shawl and six people to buy it. The six man team making the high bid con-

sisted of John Foster, Jr., Petersburg; Ronald Miller, Bedford; Wilford Harris, Tyrone; John Zimmerman, Mifflinburg; Ron Mowry, Roaring Springs; and Brad Lear, Tyrone.

The first place shawl was made by the Pennsylvania Wool Workers in a record time of one hour and thirty minutes. This shawl came from the fleece of a Suffolk sheep, and had the traditional creamy white color.

The buyer of the Pennsylvania shawl was Richard Brandt of Reading. He purchased it for \$150.

The second and third place shawls sold for \$150 and \$125, respectively.

Auctioneering the event was Harry Bachman, from Annaville.



The Pennsylvania team finished in first place in the Farm Show's Sheep to Shawl contest. The shawl was later auctioned off, with the highest bidder being Richard Brandt, Reading. Pictured, left to right, Harry Bachman, auctioneer; Ginny Leber, Camp Hill; Shawn Worley, New Cumberland; Mrs. Richard Brandt, buyer; Cheryl Mampe, Bendersville; Brenda Bothe, Bechtelsville; and kneeling, Scott Murdoch, Gettysburg.

## World soybean demand meeting topic

OCEAN CITY, Md. — The future for overseas sales of U.S. soybeans will be a major topic when farmers gather for the Delmarva Soybean Meeting next month.

The conference takes place Thursday, February 14, from 8:30 a.m. to 3:15 p.m. at the Convention Hall in Ocean City, Md.

The morning session includes a talk by Dale

Hathaway, Under Secretary of Interior, U.S. Department of Agriculture, on "The Future for the U.S. and World Soybean Trade."

In the afternoon, Ken L. Bader, Chief Executive Officer of the American Soybean Association will speak about "Foreign Markets Now and for the Future."

During the meeting there will also be a discussion of

the Maryland soybean checkoff and how it will affect farmers. Other items on the program are a chemical update, and talks on chemical safety in soybean production and soybean row spacing.

The meeting is sponsored by soybean processors, allied agricultural industries and the extension services of Delaware, Maryland and Virginia.

# SNOJAX

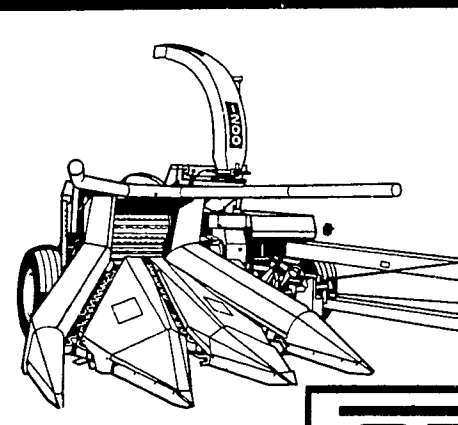
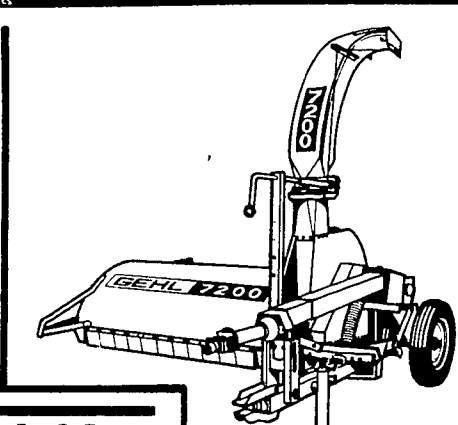
PREVENT SNOWSLIDES!  
AVOID COSTLY DAMAGE!



**SEND \$2  
FOR  
SAMPLE**

- INVISIBLE
- INEXPENSIVE
- NO ROOF STAINS
- EASILY INSTALLED

1500 STATE STREET,  
CAMP HILL, PA 17011  
\* PHONE (717) 761-1863

## GEHL

FARM EQUIPMENT

### Forage Harvesters

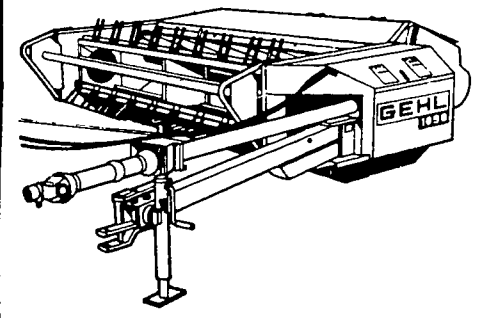
	Dec	Jan
1200 . . . . .	\$500 . . .	\$400
800 . . . . .	\$450 . . .	\$350
700/750 . . . .	\$350 . . .	\$250

### Flail Choppers

72/7200 . . . .	\$170 . . .	\$120
-----------------	-------------	-------

### Mower Conditioners

770/1070		
880/1090 . . .	\$220 . . .	\$170



## Gehl Cash Bonus Bonanza

You can save money AND taxes if you buy eligible Gehl equipment now!

First, stop in and we'll make our **BEST DEAL** on a new Gehl forage harvester, mower conditioner or flail chopper.

Second, Gehl will send you a **CASH BONUS CHECK** of up to \$500 in December, \$400 in January!

Third, if you buy before Dec. 31, you may be eligible for a **10% Investment Credit** off your '79 taxes.

Your combined savings could be **\$1200 ... \$1700 ... or more!**

But hurry! The offer is incremental and good only during **December, 1979 and January 1980!**

Although it doesn't apply to Cash Bonus Bonanza purchases, Gehl also offers **Waiver of Finance** until June 1, 1980, on selected equipment.

Stop in and we'll give you all the details.

#### PEOPLE'S SALES & SERVICE

Oakland Mills, PA  
717-463-2735

#### N.G. HERSHEY & SON

Manheim, PA  
717-665-2271

#### A. L. HERR & BRO.

Quarryville, PA  
717-786-3521

#### S. JOHNSON HURFF

Pole Tavern  
Monroeville, NJ  
609 358-2565 or  
609 769 2565

#### STOUFFER BROS. INC.

Chambersburg, PA  
717-263-8424

#### ARNETT'S GARAGE

Rt 9 Box 125  
Hagerstown, MD  
301 733-0515

#### NEVIN N. MYER & SONS, INC.

Chester Springs, PA  
215-827-7414

#### UMBERGER'S MILL

Rt 4 Lebanon, PA  
(Fontana)  
717-867-5161

#### ZOOK'S FARM STORE

Honey Brook, PA

#### BINKLEY & HURST BROS.

133 Rothsville Station Road  
Lititz, PA  
717-626-4705

#### AGWAY, INC.

Chapman Equip. Center  
Chapman, PA  
215 398 2553

#### KING'S TOWN TRACTOR CO., INC.

Rt 213 South  
Chestertown MD  
301 778-1640

#### CHAS. J. MCCOMSEY & SONS

Hickory Hill, PA  
215-932-2615

#### WERTZ GARAGE

Lineboro, MD  
301-374 2672

#### LEBANON VALLEY IMPLEMENT CO., INC.

Richland, PA  
717 866-7518

#### CLAIR J. MYERS

Lake Road R1  
Thomasville, PA  
717-259-0453

#### COLUMBIA CROSS ROADS EQUIP.

RD 2 Box 62  
Columbia Cross Roads, PA  
717-297-3873  
717-297-2991

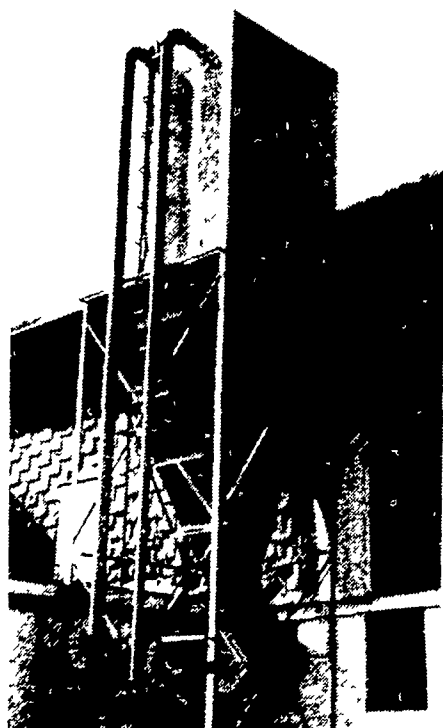
#### PETERMAN FARM EQUIPMENT, INC.

225 York Rd  
Carlisle, PA  
717 249-5338

## CUSTOM BUILT FEED BINS

### FEATURING:

- High quality 14 gauge steel
- Solid Welded Seams Making it Water and Rodent Proof
- Long Taper and Large Opening for Easier Flow
- Can be installed inside or outside building



Most Installations Can Be Made Without Auger!  
**WILL DELIVER AND INSTALL ANYWHERE**

## MEL'S WELDING SERVICE

R1 Kennedyville, Md. 301-348-2179

Sales and Service - Grain Equipment, Bucket Elevators,  
 Distributors, Pipes and Accessories