

Spring target set for poultry research facility

STATE COLLEGE — A spring target date has been set by the Pennsylvania Department of Agriculture for launching the first research project at the new Poultry Health Management Test Center, near State College, according to the Pennsylvania Poultry Federation.

Pennsylvania Secretary of Agriculture Penrose Hallowell has enthusiastically supported the research this facility can promote.

When the Department of Agriculture discontinued the Pennsylvania Random Sample Egg Test as no longer feasible, the Federation was instrumental in retaining that facility for poultry research, notes Federation

executive director, John D. Hoffman.

Under operation by the Bureau of Animal Industry and with the cooperation of Penn State's College of Agriculture, the first project will involve broilers in a salmonella study.

The research will be focusing upon the practical aggressive use of hygienic management measures to reduce exposure of broilers to salmonella, and to increase growth rate and feed efficiency.

Some 8000 to 10,000 chicks and their feed will be supplied by Mandata Poultry Co. of Herndon. Mandata also will process the finished boilers.

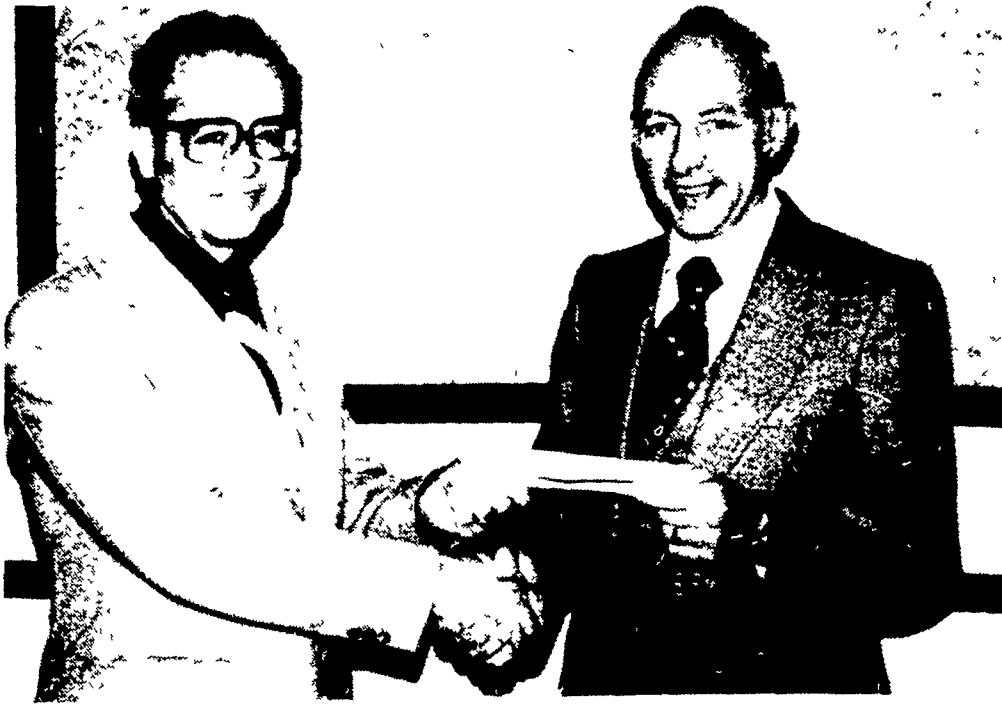
Four other major integrators in Pennsylvania have shown an interest in

participating with the Bureau in future tests.

As E. T. Mallinson, chief of the Avian Health Division of BAI, put it: "The fact that birds don't necessarily die from salmonella infection is no reason to underestimate its importance."

"Research shows that salmonella can significantly affect bird profit margins. Besides, if we can reduce its incidence in poultry we can take the lead in making chicken the safest of foods," he said.

In addition to reducing salmonella contamination through better management practices, Mallinson hopes to discover a practical and efficient method for sanitizing poultry transport crates between usage on a routine, mass basis.



Egg marketers contribute to NCEN

Bill Patterson, right, presented a check for \$1800 to Galen Buckwalter, Treasurer of the Pennsylvania Egg Marketing Association, to be sent to the National Commission on Egg Nutrition. Patterson chaired the group responsible for soliciting contributions from PEMA members. NCEN has played a prominent role in the cholesterol controversy and has achieved a new credibility for eggs and egg products.

State wine conference to run in Hershey

HERSHEY — The 12th Pennsylvania Wine conference will be held January 29 and 30, 1980 at the Hershey Motor Lodge and Convention Center. The event is sponsored by the College of Agriculture of Penn State in association with the Pennsylvania Grape Council and the Pennsylvania Wine Association.

Registration for people not registered in advance is set for 9 a.m. January 29. The board of directors of the Pennsylvania Wine Association will meet that morning.

The opening topic, at 1 o'clock, will describe fermentation of grapes from the variety Vidal 256 for different styles of wines.

Describing their fermentation processes will be Ronald Cooper of the Adams County Winery at Ortanna, Karl Kaiser of Inniskillin Winery of Ontario, Canada, Richard Naylor of Charlais Vintners of York, and Douglas Welsch of Fenn

Valley Windery of Fennville, Mich.

This will be followed at 2:30 by tasting and evaluation of Vidal 256 wines.

Weed control in vineyards with the herbicide named Roundup will be presented at 3:15 by Carl W. Haeseler of Penn State's Eric County Field Research Laboratory at North East.

Roundup is the only herbicide proven effective against several perennial weeds that are difficult to control.

The program January 30 will begin at 9 o'clock with a talk on fruit wine production by Douglas Welsch of Fenn Valley Winery of Fennville, Mich. At 9:45, George Luke of Penn Shore Vineyards, North East, will discuss legislative developments affecting the wine industry.

The market potential for table grapes will be discussed at 10:15 January 30. Heading up a panel discussion by growers of

tables grapes will be Laurence Yager of the Adams County Agricultural Extension Service.

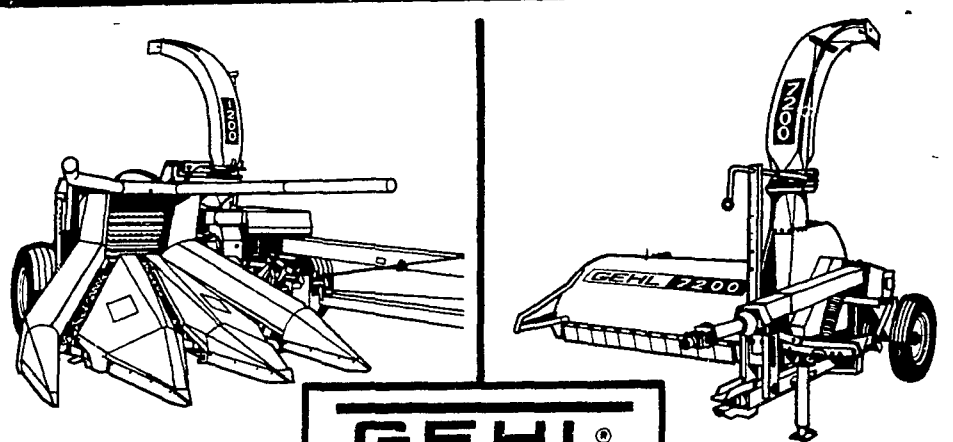
The afternoon program January 30 will begin at 1:30 with a report on the Penn State work-study program, by Richard Craig of the Department of Horticulture.

Component wine tasting will be the 1:45 topic of Julie and David Thiebeau, microbiologist and winemaker, respectively, for Penn Shore Vineyards of North East.

The effect of air pollution on grape production will be the 3:15 topic of Donald Davis, pathologist with the Agricultural Experiment Station at Penn State.

Speaking at the annual banquet January 30, will be G. Hamilton Mowbray of Montbray Winery, Westminster, Md.

The two-day conference will include exhibits related to grape growing and winemaking.



Forage Harvesters

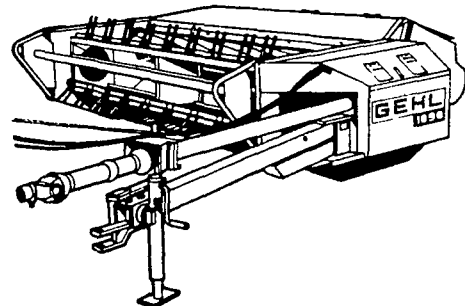
	Dec	Jan
1200	\$500	\$400
800	\$450	\$350
700/750	\$350	\$250

Flail Choppers

72/7200	\$170	\$120
---------	-------	-------

Mower Conditioners

770/1070		
880/1090	\$220	\$170



Gehl Cash Bonus Bonanza

You can save money AND taxes if you buy eligible Gehl equipment now!

First, stop in and we'll make our BEST DEAL on a new Gehl forage harvester, mower conditioner or flail chopper.

Second, Gehl will send you a CASH BONUS CHECK of up to \$500 in December, \$400 in January!

Third, if you buy before Dec. 31, you may be eligible for a 10% Investment Credit off your '79 taxes.

Your combined savings could be \$1200 ... \$1700 ... or more!

But hurry! The offer is incremental and good only during December, 1979 and January 1980!

Although it doesn't apply to Cash Bonus Bonanza purchases, Gehl also offers Waiver of Finance until June 1, 1980, on selected equipment.

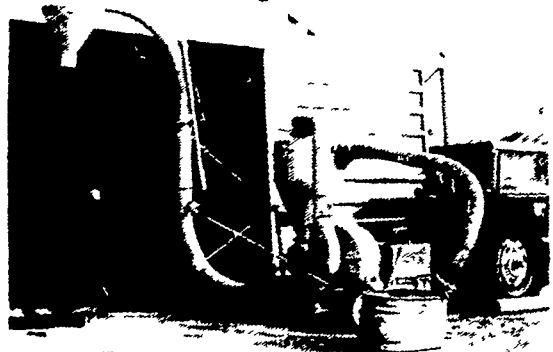
Stop in and we'll give you all the details.

THE NEW

vac-u-vator®

"Move Your Grain the Modern Way"

NO SHOVELING—MOVE YOUR GRAIN BY AIR—WITHOUT DUST



- A Vac-U-Vator is a safe, reliable piece of equipment that makes those tough grain moving jobs EASIER on you and your grain
- A Vac-U-Vator has many applications, and numerous farmers have discovered that the Vac-U-Vator makes an inexpensive elevator leg
- If you have any questions, call or write us, and we'll help you choose the model that's right for your needs.

Made in U.S.A.

Dealers Wanted

A.S.C.S. Approved

DUNBAR KAPPLE, 100 N. Island Ave., Batavia, IL 60510

Toll Free No. - 800/323-7905
Illinois No. - 312/879-2200

Name _____

Send Me

Address _____

City _____

Free Brochures

State _____

Zip _____

Phone _____

Dealer Inquiry Information

PEOPLE'S SALES & SERVICE

Oakland Mills, PA
717-463-2735

N.G. HERSHEY & SON

Manheim, PA
717-665-2271

A. L. HERR & BRO.

Quarryville, PA
717-786-3521

S. JOHNSON HURFF

Pole Tavern
Monroeville, NJ
609-358-2565 or
609-769-2565

STOFFER BROS. INC.

Chambersburg, PA
717-263-8424

ARNETT'S GARAGE

Rt 9 Box 125
Hagerstown, MD
301-733-0515

NEVIN N. MYER & SONS, INC.

Chester Springs, PA
215-827-7414

UMBERGER'S MILL

Rt 4 Lebanon, PA
(Fontana)
717-867-5161

ZOOK'S FARM STORE

Honey Brook, PA

BINKLEY & HURST BROS.

133 Rothsville Station Road
Litz, PA
717-626-4705

AGWAY, INC.

Chapman Equip Center
Chapman, PA
215-398-2553

KING'S TOWN TRACTOR CO., INC.

Rt 213 South
Chestertown, MD
301-778-1640

CHAS. J. MCCOMSEY & SONS

Hickory Hill, PA
215-932-2615

WERTZ GARAGE

Lineboro, MD
301-374-2672

LEBANON VALLEY IMPLEMENT CO., INC.

Richland, PA
717-866-7518

CLAIR J. MYERS

Lake Road R1
Thomasville, PA
717-259-0453

COLUMBIA CROSS ROADS EQUIP.

RD 2 Box 62
Columbia Cross Roads, PA
717-297-3873
717-297-2991

PETERMAN FARM EQUIPMENT, INC.

225 York Rd
Carlisle, PA
717-249-5338